

Compact security consoles

system / 85 consoles

compact security consoles



K8464

K8464

Three-Bay Guard Console. 15-3/4" (9U) slope modules are perfect for dual 9" monitors with an additional switcher or quad splitter. Slope section will fit most 13"-14" monitors. Slim console profile uses less space. Overall size: 62"H x 64-11/16"W x 37-3/8"D (1575 x 1643 x 950mm). System includes:

- 3 ea. **84033** 19-3/8"D Base and 15-3/4" slope console
- 3 ea. **84061** Standard plinth 19-3/8"D
- 3 ea. **84022** 10-1/2" Top module 16"D
- 1 ea. **81633** 18"D Three-bay work shelf laminated edge
- 2 pr. **83202** 12"D Shelf support brackets
- 1 pr. **84120** Side panels for 19-3/8"D base console
- 1 pr. **84133** Side panels for 15-3/4" slope console
- 1 pr. **84122** Side panels for 10-1/2" top module
- 1 ea. **84048** Centre top panel
- 2 ea. **84047** End top panel
- 1 ea. **88093** 5-1/4" Black universal rack mount shelf
- 5 ea. **88096** 10-1/2" Black universal rack mount shelf
- 2 ea. **99140** 1-3/4" Black blank panel
- 1 ea. **99141** 3-1/2" Black blank panel
- 3 ea. **85155** 5-1/4" Shelf bracket filler panel
- 3 ea. **85148** 15-3/4" Blank panel

K8464 Shpg. wt. 243 kgs.



K8458

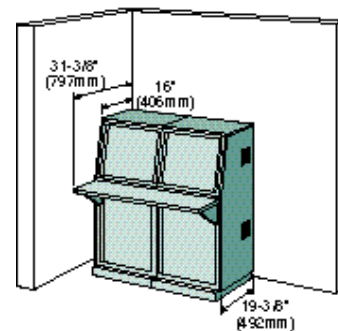
K8458

Three-Bay 19-3/8"D (492mm) 15-3/4" (9U) Slope Console. 10-1/2" (6U) top modules tilted forward 12° for viewer comfort. Overall dimensions: 67-1/4"H x 64-11/16"W x 34-3/8"D (1708 x 1643 x 873mm). System includes:

- 3 ea. **84033** 19-3/8"D Base and 15-3/4" slope console
- 3 ea. **84061** Standard plinth 19-3/8"D
- 3 ea. **85177** 12° Top module wedge
- 3 ea. **84022** 10-1/2" Top module 16"D
- 1 ea. **81503** 12"D Padded work surface
- 2 pr. **83202** 12"D Shelf support brackets
- 1 pr. **84120** Side panels for 19-3/8" base console
- 1 pr. **84133** Side panels for 15-3/4" slope console
- 1 pr. **84122** Side panels for 10-1/2" top module
- 1 ea. **84048** Centre top panel
- 2 ea. **84047** End top panel
- 1 ea. **86073** 5-1/4" Rack mount shelf
- 6 ea. **85140** 1-3/4" Blank panel
- 3 ea. **85148** 15-3/4" Blank panel

K8458 Shpg. wt. 210 kgs.

19-3/8"
Security consoles
are designed to
save you space
while providing
an efficient
monitoring
station.



system / 85 consoles

OPTIONAL ACCESSORIES

see pages 50-57