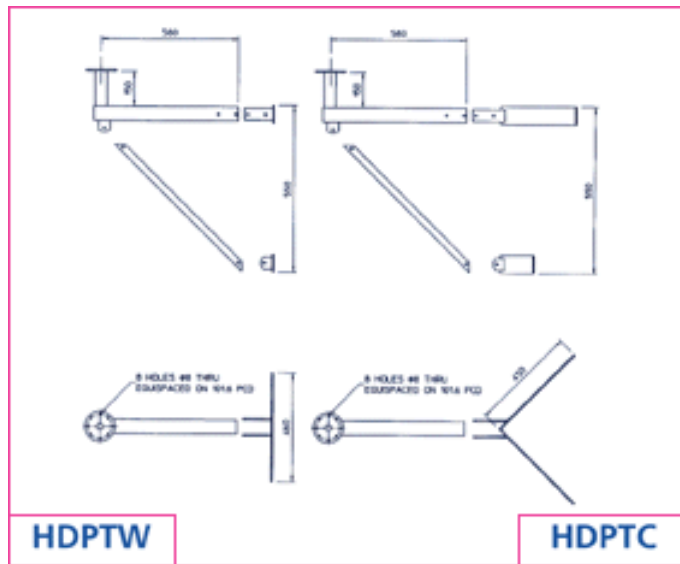
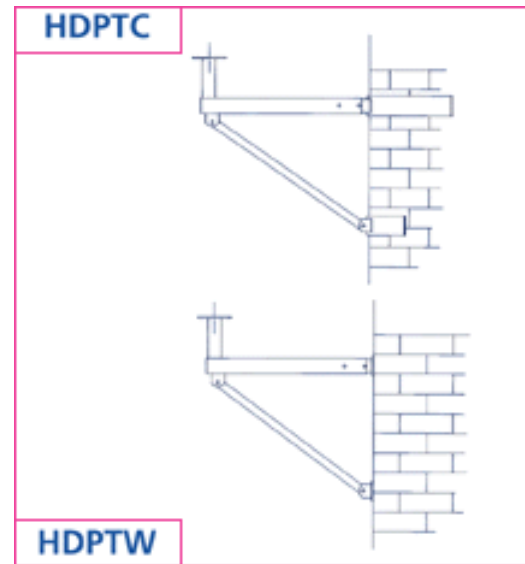


# WEC EXTERNAL BRACKETS- PAN & TILT CAMERAS

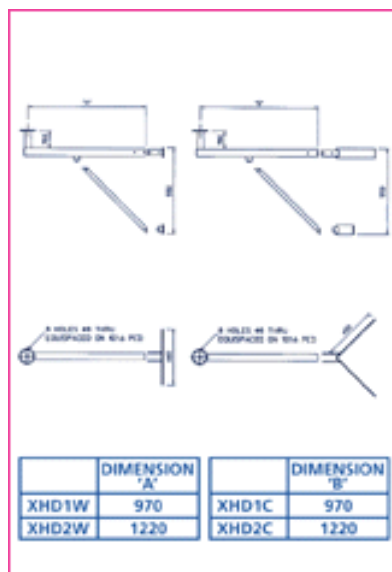


HDPTW

HDPTC

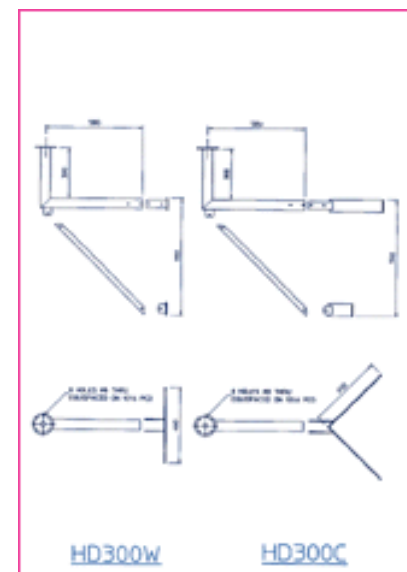
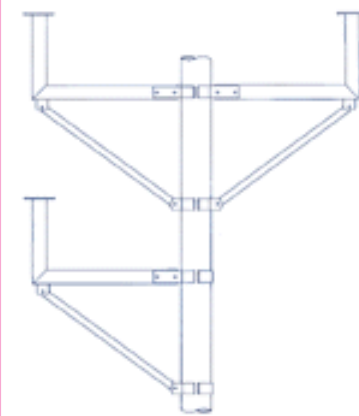


HDPTW



PCX2\300\...

PCX1\300\...



HD300W

HD300C

## General Specification

Standard 101.6 PCD fixing to accept PTZ gearbox & all WEC adaptors

Loadings up to 50 kg

Extended versions up to 1250mm as stock items

Compatible with WEC adaptors & accessories

Custom modifications tailored to customers requirements

## Standards Applicable

**Structural steelwork :**  
BS4848, BS4360, BS6363

**General steelwork :**  
BS1449, BS1387, BS EN 10025

**Galvanising :**  
Hot dipped to BS729:1971

**Fasteners :**  
BS3692, BS4190, DIN931, DIN934

**Welding & Procedures :**  
comply with BS5135:1984

**Quality procedures :**  
ISO9002 Certification No. GB3368

**Paint finishes :**  
BS4800 & RAL colour ranges

## Product Reference

HDPTC\* XHD1W\*

HDPTW\* XHD1C\*

HD300C\* XHD2W\*

HD300W\* XHD2C\*

PCX1/...\* X1/PCX1/...\*

PCX2/...\* X1/PCX2/...\*

PCX1/300/...\* X2/PCX1/...\*

PCX2/300/...\* X2/PCX2/...\*

\*Ex - stock items

