

DVrS



The World Greatest 108-Channel Network-based DVR System

DVrS is a great Network DVR System, which supports 108-channel and has recording capacity of maximum 540 frames per second. With connecting analogue CCTV cameras to DVrS, analogue image is changed into digital data, easily. It is total solution for surveillance/monitoring, which enables to set at factories and construction sites that are scattered all over the country as dispersed system. And you can also manage the integrated system with configuring the dispersed system as one network system.

DVrS is consisted in DVrS Server (Linux based image data processing server), DVrS Modules (Image Processing & DIO module), Web Server Camera, and DVrS Manager (DVrS managing Software). It enables to monitor, record, and search any image of remote place.

Key Features

- Video Input: Max. 108 channels
- Recording speed: Mix. 540fps
- Digital Input/Output: 108Ch. / 108Ch.
- Wavelet image compression
- Time Scheduled Recording
- Intelligent Data Management
- Instant playback from image database
- Embedded Linux system
- Easy to expand system with adding Web Server Camera, Module, or Storage
- High Performance File System
- Simultaneous browsing with recorded image and real-time image
- Group mode and map configuration for managing maximum 108 channels
- Alerting through computer sound and image enhancement



1. DVrS Server

1) Key Features

DVrS Server has the high performance file system that saves the image from maximum 108-channel simultaneously, and operates stably with Linux OS. You can search the recorded image on various conditions of time, camera group, alarm, etc, and record specific image permanently.

2) Specifications

- Processor Pentium 1GHz
(Dual: option) and above
- Memory (RAM) 150MB
- OS Linux
- Protocol TCP/IP
- Maximum simultaneous recording channel 108 Ch
- Resolution 720X486, 720X243, 360X243, 180X121, 90X60
- Storage IDE/SCSI HDD or Raid System (640GB ~)
- Recording Speed Maximum 540 pfs (108Ch: 5 fps/ch, 18 Ch.: 30 fps/ch)
- Real-time monitoring Support to monitor real-time image through Internet and Intranet
- Operation Check Rapid checking the operation of Network Load, HDD Usage, CPU Load, Server through Server Panel
- Search recorded image Support to search recorded image with various conditions (time, camera group, alarm, etc)
- File System WebGate develops for rapid recording, searching and the minimum load of storage

2. DVrS Manager

1) Key Features

DVrS Manager is the software based on Windows 2000 for real-time monitoring, searching, replaying, configuring, and reporting. It is user interface for operating DVrS, and supporting integrated management.

2) Specifications

- Channel Management Simultaneous monitoring 16 channels
Support to manage 108 channels easily
Group mode and map configuration for managing many channels
- Screen Management Support 1, 4, 7, 10, 13, 16 divided screens
Automatic replay screen division as number of cameras one and above
- General user Resolution 720X486, 720X243, 360X243, 180X121, 90X60
- Protocol TCP/IP
- Others Alerting through computer sound and image enhancement
Scheduled recording (as time, camera, alarm), digital zoom image, and enhancing image
Various condition for searching (camera, time, alarm, etc)
Sharpness and Blurring function for image configuration
Bookmark function for free replaying channel
Easy to check replaying image
Support easy user interface as windows type
Pan/Tilt, Zoom/Focus control support

3) For Client's PC

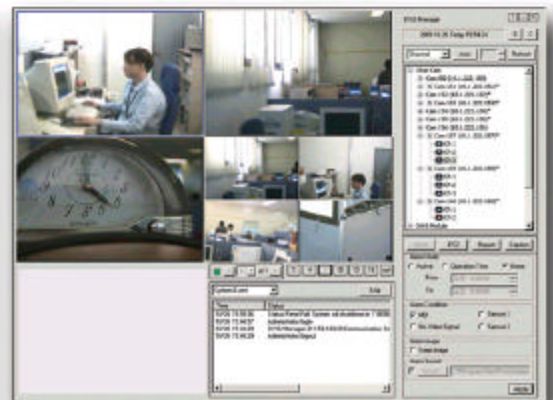
- Processor Pentium III 800MHz
- Memory (RAM) 256 MB
- OS Windows 2000
- Monitor 17" XGA (1024X768)

DVrS Manager

MONITORING (1CH)



MONITORING (7CH)



3. DVrS Module

1) Key Features

DVrS Module is to compress analogue video signal of maximum 108 CCTV channels into digital signal and transmit it to DVrS Server. It has 12 video processors, and can manage 36 real-time images.

2) Specifications

- System Composed of 12 IP B'Ds Scalable Network Based Architecture
- IP B'D Each IP B'D manages 3 channels Support Hot Swapping function of each IP B'D
- Video Input 36 channel video inputs (NTSC, PAL, B/W)
- System Expansion Support system expansion with internal network hub Expanding up to maximum 108 channels with 3 sets
- Digital Input 36 channel digital sensor
- Digital Output 36 channel S/W control
- Compression type H/W Wavelet
- Resolution 720X486, 720X243, 360X243, 180X121,90X60
- Image quality 10 levels
- Compression rate 10:1 ~200:1
- Compression speed 15fps
- OS Embedded Linux

4. Web Server Camera

(i-Rec Cam, WebEye series)

1) Key Features

It is an all-in-one system with a Web server of embedded Linux, a networking device, and a CCD module. It transmits images into DVrS Server at the maximum speed of 30 frames per second.

2) Specifications (i-Rec Cam, WebEye E10/E104/SPD)

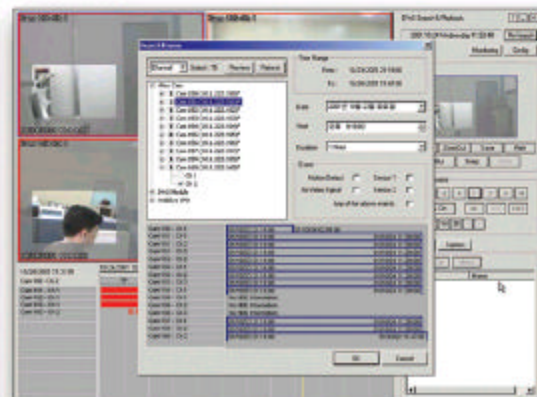
- Processor 32bit RISC Embedded processor
- Flash Memory 8MB
- Memory (RAM) 16MB
- OS Embedded Linux
- Resolution 720X486, 720X243, 360X243, 180X121, 90X60
- Video channel NTSC or PAL video format support
- Compression rate 10:1 ~ 200:1
- Transmission Maximum 30 fps (NTSC) / 25 fps (PAL)
- Compression type Wavelet

* When you configure DVrS system, you may use DVrS Module or Web Server Camera separately. And you may also configure the system with both of them. (Please refer to "Network Configurations")

MONITORING (16CH)



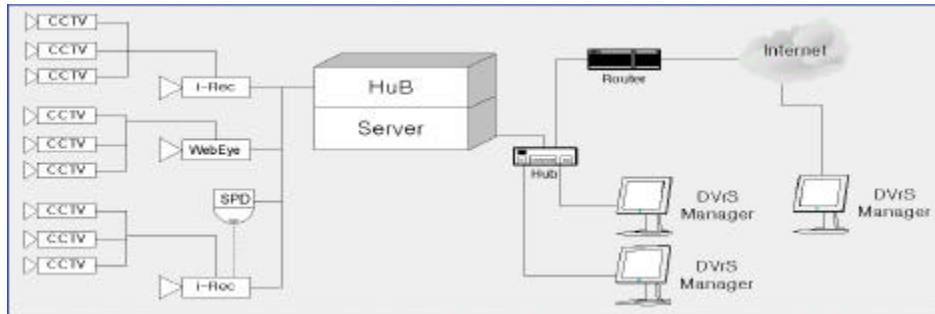
SEARCHING



Network Configurations

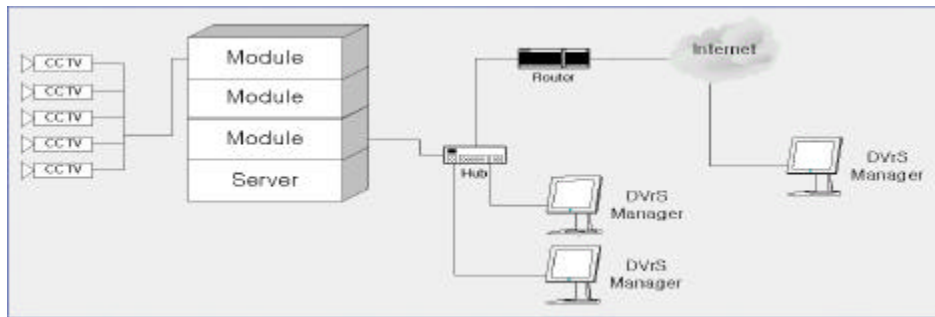
DVrs I (System Configuration with Web Server Camera)

- Constructing the system for remote central control & management with Web Server Camera
- Configuring one network system without the limitation of space
- Compared with an existing analogue method, able to retrench a construction cost
- Easy to secure a room for installing such system
- Easy to expand a system
- Monitoring with several kinds of web server cameras
- Perfect Remote Monitoring/Image Recording system



DVrs II (System Configuration with DVrS Module)

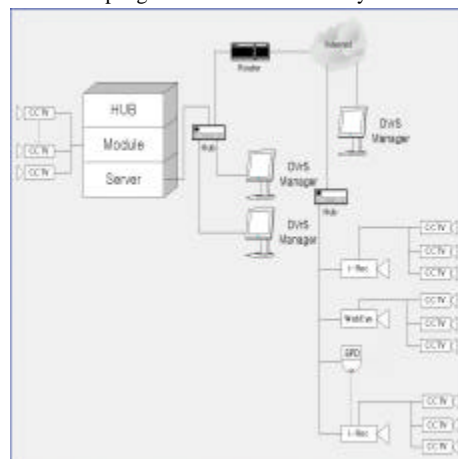
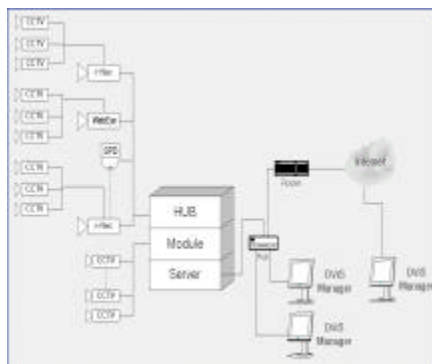
- Digitalizing an existing analogue CCTV system with DVrS Module
- Digitalizing analogue surveillance systems
- Compared with other DVR products, able to curtail a system expansion cost
- Able to connect between maximum 108 external sensors and cameras with using DVrS Module



DVrs III (Complex system Configuration with DVrS Module & Web Server Camera)

Ideal for

- Each guard area of industrial complex
- Principal production process line of factory
- Hospital rooms
- ATM (Automated Teller Machine)
- Restricted area
- Around expensive or dangerous equipments
- Accident danger zone near the apartment complex or schools
- Large-scale amusement park or hotel
- Principal government office or army



* ---"Specifications are subject to change without notice"---

Distributed by :

WEBGATE U.S.A
465 N. Halstead Street, Suite #110
Pasadena, CA. 91107, USA
Tel: 1-626-351-6500
Fax: 1-626-351-3660

WEBGATE Inc.
4F, Pika Bldg., Hoky 2-dong,
Dongan-ku, Anyang-si, Kyunggi-do
Korea. (431-836)
Tel: +82-31-455-3555(231, 232)
Fax: +82-31-455-3955
sales@webgateinc.com
[Http://www.webgateinc.com](http://www.webgateinc.com)