

FD8134-SS

Fixed Dome Network Camera

1MP • Compact Design



VIVOTEK FD8134-SS is an easy-to-use fixed dome network camera specifically designed for indoor security applications with a compact, stylish exterior. Equipped with a 1MP sensor enabling viewing resolution of 1280x800 at 30 fps, users need look no further for an all-in-one camera capable of capturing high quality, high resolution video.

This camera supports the industry-standard H.264 compression technology, drastically reducing file sizes and conserving valuable network bandwidth. With MPEG-4 and MJPEG compatibility also included, video streams can also be transmitted in any of these formats for versatile applications. The streams can also be individually configured to meet different constraints, thereby further reducing bandwidth and storage requirements. Users can thus receive multiple streams simultaneously in different resolutions, frame rates, and image qualities for viewing on different platforms. The FD8134-SS model is aimed at providing 24-hour surveillance for indoor applications and features true day and night functionality with a removable IR-cut filter and built-in IR illuminators.

Also included are a number of advanced features which are standard for VIVOTEK cameras, including tamper detection, 802.3af compliant PoE and VIVOTEK's 32-channel recording software. With all of these capabilities, the FD8134-SS prevents the best value in IP surveillance for indoor applications such as offices, banks, ATMs, and retail stores.

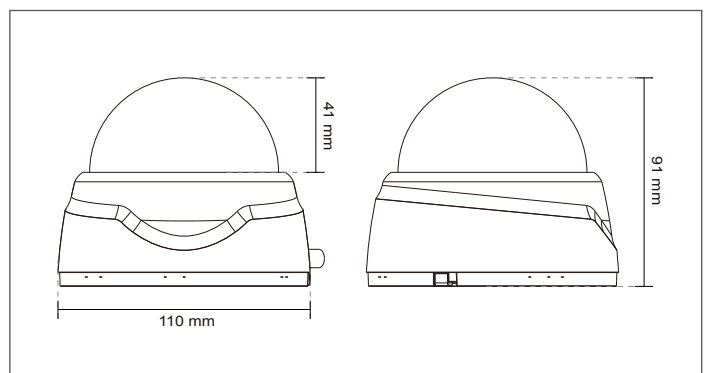
Features

- > 1-Megapixel CMOS Sensor
- > Removable IR-cut Filter for Day and Night Function
- > Built-in IR Illuminators, Effective up to 10 Meters
- > Real-time H.264, MPEG-4 and MJPEG Compression (Triple Codec)
- > Built-in 802.3af Compliant PoE
- > 3-axis Mechanical Design for Ceiling and Wall Mount Installation
- > Easy and Flexible Installation
- > Compact and Attractive ID Design

System	<ul style="list-style-type: none"> CPU: TI DM365 SoC Flash: 128MB RAM: 256MB Embedded OS: Linux 2.6
Lens	<ul style="list-style-type: none"> Board lens, Fixed, f = 3.6 mm, F1.8 Removable IR-cut filter for day & night function
Angle of View	<ul style="list-style-type: none"> 56°(horizontal) 41°(vertical)
Shutter Time	<ul style="list-style-type: none"> 1/5 sec. to 1/25,000 sec.
Image Sensor	<ul style="list-style-type: none"> 1/4" CMOS sensor in 1280x800 resolution
Minimum Illumination	<ul style="list-style-type: none"> 0 Lux @ F1.8 (IR LED on)
IR Illuminators	<ul style="list-style-type: none"> Built-in IR illuminators, effective up to 10 meters IR LED*8 (850nm)
Video	<ul style="list-style-type: none"> Compression: H.264, MJPEG & MPEG-4 Streaming: Multiple simultaneous streams H.264 streaming over UDP, TCP, HTTP or HTTPS MPEG-4 streaming over UDP, TCP, HTTP or HTTPS H.264/MPEG-4 multicast streaming MJPEG streaming over HTTP or HTTPS Supports activity adaptive streaming for dynamic frame rate control Supports 3GPP mobile surveillance Frame rates: <ul style="list-style-type: none"> H.264: Up to 30/25 fps at 1280x800 MPEG-4: Up to 30/25 fps at 1280x800 MJPEG: Up to 30/25 fps at 1280x800
Image Settings	<ul style="list-style-type: none"> Adjustable image size, quality and bit rate Time stamp and text caption overlay Flip & mirror Configurable brightness, contrast, saturation, sharpness, white balance and exposure AGC, AWB, AES Automatic, manual or scheduled day/night mode BLC (Backlight Compensation) Supports privacy masks
Networking	<ul style="list-style-type: none"> 10/100 Mbps Ethernet, RJ-45 Onvif support Protocols: IPv4, IPv6, TCP/IP, HTTP, HTTPS, UPnP, RTSP/RTP/RTCP, IGMP, SMTP, FTP/DHCP, NTP, DNS, DDNS, PPPoE, CoS, QoS, SNMP, and 802.1X
Alarm and Event Management	<ul style="list-style-type: none"> Triple-window video motion detection Tamper detection One D/I for external sensor Event notification using HTTP, SMTP or FTP Local recording of MP4 file
Security	<ul style="list-style-type: none"> Multi-level user access with password protection IP address filtering HTTPS encrypted data transmission 802.1X port-based authentication for network protection

Users	<ul style="list-style-type: none"> Live viewing for up to 10 clients
Weight	<ul style="list-style-type: none"> Net: 479 g
LED Indicator	<ul style="list-style-type: none"> System power and status indicator System activity and network link indicator
Power	<ul style="list-style-type: none"> 12V DC Power consumption: Max. 4.5 W 802.3af compliant Power-over-Ethernet (Class 2)
Approvals	<ul style="list-style-type: none"> CE, LVD, FCC, VCCI, C-Tick
Operating Environments	<ul style="list-style-type: none"> Temperature: 0 ~ 50 °C (32 ~ 122 °F) Humidity: 90% RH
Viewing System Requirements	<ul style="list-style-type: none"> OS: Microsoft Windows 7/Vista/XP/2000 Browser: Mozilla Firefox, Internet Explorer 7.x or above Cell phone: 3GPP player Real Player: 10.5 or above Quick Time: 6.5 or above
Installation, Management, and Maintenance	<ul style="list-style-type: none"> 3-axis mechanism for flexible ceiling and wall mount installation Camera angle adjustment: pan 350°, tilt 72°, rotate 350° Installation Wizard 2 32-CH ST7501 recording software Supports firmware upgrade
Applications	<ul style="list-style-type: none"> SDK available for application development and system integration
Warranty	<ul style="list-style-type: none"> 24 months
Dimension	<ul style="list-style-type: none"> Camera: Ø 110 mm x 91 mm Cable length: 480 mm Cable diameter: Ø 7.8 mm; Max width: Ø 24 mm

Dimension



All specifications are subject to change without notice. Copyright © 2012 VIVOTEK INC. All rights reserved.

Distributed by:


VIVOTEK INC.

 6F, No.192, Lien-Cheng Rd., Chung-Ho, New Taipei City, 235, Taiwan, R.O.C.
 |T: +886-2-82455282 | F: +886-2-82455532 | E: sales@vivotek.com

VIVOTEK USA, INC.

 2050 Ringwood Avenue, San Jose, CA 95131
 |T: 408-773-8686 | F: 408-773-8298 | E: salesusa@vivotek.com