

## High Speed Dome IP Camera



Driving IP-based physical security  
through global standardization

**VPD370i / VPD330i / VPD270i**

**H.264 / M-JPEG Dual Streaming, 1/4 inch Sony Color vertical Double Density CCD, 360 degree endless Pan, -4~184 degree Tilt, True Day and Night, 2 Way Audio, Standard PoE**



**Indoor**



**Outdoor**

*VISION high speed dome IP cameras are designed for use in mission critical surveillance applications - such as airports, stadiums, casinos and ports - where the ability to follow moving objects from a long distance and to see great detail is very important. With its fast and precise pan tilt mechanism as well as fascinating design, one VISION high speed dome IP camera can cover long and wide range with powerful X37 zooming capability.*

**Conformant with ONVIF Core 1.02.**

### Features

- Fast and precise pan, tilt, zoom operation (Pan 400 degree/sec, Tilt 400 degree/sec)
- Extremely high sensitivity of 0.7 Lux in color mode.
- 360 degree endless panning
- Wide tilt range of -4~184 degree
- Max. X37 optical zoom (VPD370i) and digital X12 zoom
- 2D and 3D DNR(Digital Noise Reduction)



Product info [support@visionhitech.co.kr](mailto:support@visionhitech.co.kr)  
Marketing [yht@visionhitech.co.kr](mailto:yht@visionhitech.co.kr)

- 128 presets and touring function
- 8 privacy zones
- 128X WDR
- Dual Streaming of H.264 and M-JPEG
- Up to 30 frames per second at all image resolutions
- Supports image resolutions up to D1
- Integrated motion detection with pre- and post-alarm image/video buffering
- Event-triggered FTP and email upload of still images and videos
- Full Duplex Two-Way Audio Support
- UPnP supported
- SD/SDHC Local storage, event triggered, scheduled and continuous recording supported
- 1 Port analog video loop-out port
- External microphone input & speaker output connector
- Terminal block for external sensors or external alarm devices
- Supports CBR (constant bit rate) and VBR (variable bit rate) modes
- Adjustable frame rate
- Video access through any standard Web browser
- Supports IEEE 802.3af Power over Ethernet injectors, mid- and end-spans
- Integrated HTTP Web server supporting 50 simultaneous user connections
- HTTPS supported (Hyper Text Transfer Protocol Secured)
- Integrated E-Mail, FTP, DDNS and DHCP client
- Extensive CGI API for software integration and remote programming operations
- Includes Windows based IP Installer and license-free 16 channel NVR(Network Video Recorder) software

## Specification

Model	Indoor : VPD370i	Indoor : VPD330i	Indoor : VPD270i
	Outdoor : VPD370i-W	Outdoor : VPD330i-W	Outdoor : VPD270i-W
Image sensor	1/4Sony Color vertical Double Density CCD	1/4 Sony Color vertical Double Density CCD	1/3 Sony Super HAD CCD II
Day & Night	Auto/Color/BW		
Environment	INDOOR/OUTDOOR(IP66)		
Optical Zoom	37X	33X	27X
Digital Zoom	12X	12X	-



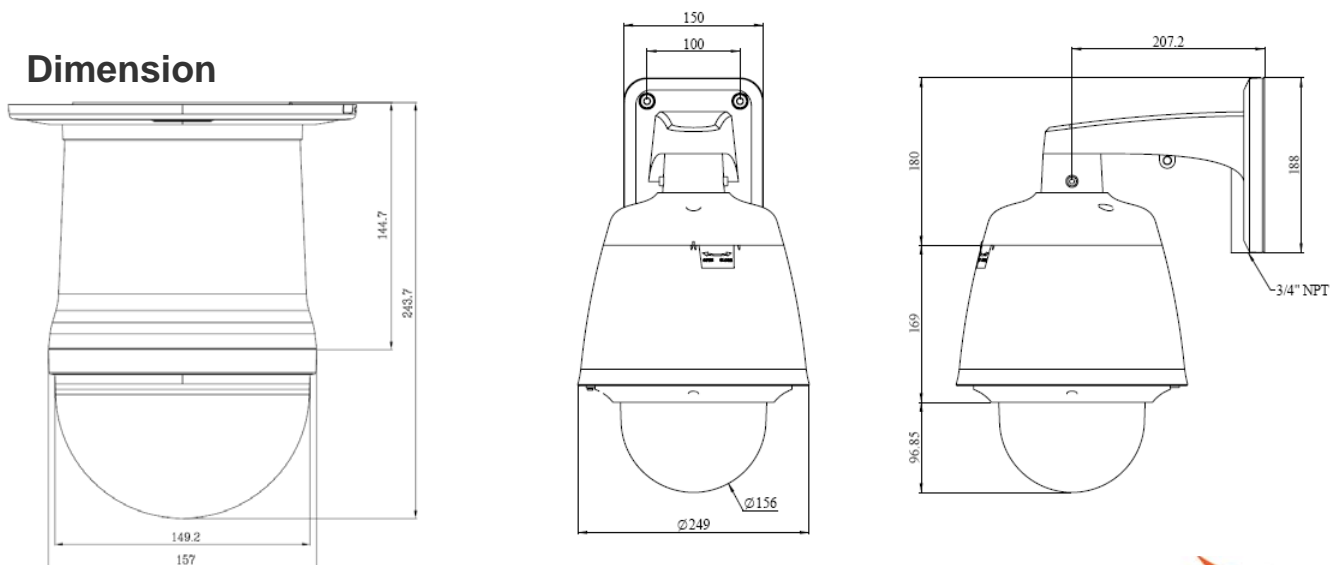
Lens		37x AF zoom ( f3.5~129.5mm (F1.6))	33x AF zoom ( 3.5~115.5mm(F1.6))	27x Auto focus zoom
Min. illumination / Light sensitivity (Lux)		0.7Lux at F1.6 (Color), 0.002Lux(Sens-up, 256x) 0.06Lux at F1.6 (B/W)	0.7Lux at F1.6 (Color), 0.002Lux(Sens-up, 256x) 0.06Lux at F1.6 (B/W)	1.0 Lux at F1.6 (Color)
Pan Tilt Operation	Pan	360 Endless (400 deg/sec)		
	Tilt	-4~184 deg (400 deg/sec)		
WDR/BLC		On/Off (User selectable on OSD)		
Noise Reduction		2D+3DNR		
Video	Compression	H.264 baseline profile, Motion JPEG		
	Resolutions	Up to D1(NTSC:720X480, PAL:720X576)		
	Frame rate	H.264 Up to 30fps at D1		
		MJPEG Up to 30fps at D1		
	Video streaming	Support multi stream with H.264, MJPEG		
		Adjustable frame rate		
		VBR/CBR in H.264		
	Image setting	Day & Night		
		Auto White Balance		
		Auto Exposure		
		Effect - Color, Sharpness, Mirror/V-Flip, etc.		
BNC x1, 1.0Vp-p, 75 ohm Composite Video, NTSC/PAL				
Privacy Mask				
Output	Effect - Color, Sharpness, Mirror/V-Flip, etc. BNC x1, 1.0Vp-p, 75 ohm Composite Video, NTSC/PAL			
Audio	Audio streaming	Two-way, full duplex		
	Compression	G.711		
	Sample Rate	8KHZ		
	Data Rate	64Kbps		
	Audio input	Microphone input /1 x Line-In (Mono)		
	Audio output	Line output/ 1 x Line-Out (Mono)		
Network	Security	Password protection		
		User access log		
		HTTPS encryption		
	Supported protocol	HTTP, HTTPS, FTP, SMTP, UPnP, DNS, DynDNS, NTP		
RTSP, RTP, TCP, UDP, ICMP, DHCP				
System	Intelligent video	Motion detection up to 1280x720 with 32x24 blocks		



integration	Alarm trigger	Motion detection
		External input/Normal Open/Close Type
	Alarm events	File upload via ftp, e-mail
		Notification via email, FTP and TCP
	Video buffer	16MB pre-alarm and post-alarm
	Recording	Save to Micro SD card with event mode and continuous mode
	Firmware upgrade	Remote upgrade via network
API	CGI Interface document	
	ActiveX Interface(ocx(dll) + document)	
Physical	RESET Button	1 x Factory Reset Button
	Power Source	DC 12V/3.0A, PoE(Power over Ethernet): 802.3at
	Power Consumption	Max. 15W
	Weight (Appr.)	3,500g (Indoor) / 4,500 g (Outdoor)
	LED's	Power, Network Connection
	Dimension(mm)	156(Ø) x 236.6(H)
Environ-ment	Operating Temperature	-25 degree~50 degree Celsius (-13F~122F)
	Storage Temperature	-25 degree~60 degree Celsius (-13F~140F)
Software	Included Software	NVR Lite (16 Channel), IP Installer (Windows Only)
Package Contents		Network Camera, Use Manual, External Power Adaptor, Software CD

■ Specifications are subject to change without prior notice to enhance performance and stability

## Dimension



**VISION**

Product info [support@visionhitech.co.kr](mailto:support@visionhitech.co.kr)  
Marketing [yht@visionhitech.co.kr](mailto:yht@visionhitech.co.kr)