

Product Information

The robotic IR Camera outstands itself with several of unprecedented patent applied technologies built-in.

First of all, it is absolutely reliable incorporated with a patented IIRP technology that protects the camera and high power LEDs from overheating and from the use under hot temperature environment.

Second of all, it is blessed with a patented SFOCAS Technology to come true a precise focus under IR Illumination.

Then, built-in True DN function instantly converts the Image from Color to B/W mode at 5 Lux. Long distance View up to 30M(Super HAD II)/40M(EX-View HAD) away at 0 lux darkness is guaranteed with the aid of IIRP/SFOCAS and True DN technologies.



Key Features

- 1/3" Sony Super HAD CCD II/ EX-View HAD CCD sensor
- Long distance nighttime surveillance at 0 Lux
 - Within 2 ~ 30M distance at night - Super HAD II
 - Within 2 ~ 40M distance at night - Ex-view HAD
- Extremely Higher resolution
 - 560TVL(Color mode) to 600TVL(BW mode)
- Very accurate color reproduction with 10 bit A/D Process
- Extremely clear focus at both Day and Night (No focus shift)
- DIP SW functions
- Surge power input protection built-in
- Automatic image conversion from Color to BW (True DN)
- Intelligent IR Protection technology built-in (IIRP)
- IR cut/pass dual filter built-in (Removable Filter)
- Automatic LED On / Off
- Perfect Weatherproof (IP67)

True Day & Night

The mode of image is instantly changed from Color at daytime to BW at nighttime at 5 lux darkness automatically. Combined with dual filter system built-in makes the camera produced a perfectly true color at day and a noiseless true BW image at night.



True Color (Day)



Real B/W(Night)

Long IR Visible Range

The camera captures a clear image at 0 Lux night within the distance of 2 ~ 30 M with Super HAD II sensor (2 ~ 40M with EX-VIEW sensor).

Self focus compensation technology

The unit incorporates a self focus adjustment technology that precisely corrects the focus shift when IR illumination is activated at night. Smart capability of focusing at both day and night enables the camera to have an extreme resolution of over 560TVL(Day) and 600TVL(Night)



VN70HQ Series



Conventional

Intelligent IR Protection technology(IIRP)

The model incorporates an IR LED protection technology that intelligently prevents IR LEDs from burning out after long time use and maintains the performance of IR LEDs for extremely long time.

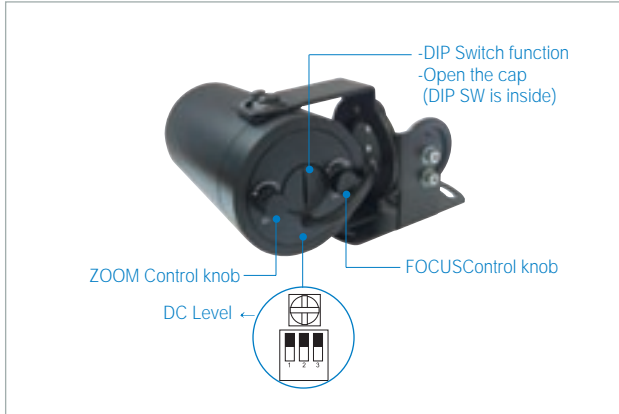
Self configured Synchronizing system

The unit builds in highly efficient switching power control that self-configures line pulse automatically (Automatic line-lock). Double insulated power design guarantees no ground loop when used with multiple cameras and system equipment together through one power source.

VN70HQ | Long range IR Bullet camera

External Focus Adjustment and Dip SW setting

Moisture condensation and bad workmanship sometimes occur in the course of opening the housing to adjust focus and Dip SW setting. Our advanced external adjustment mechanism makes no reason to open the case and guarantees no possibility of condensation.



A variety of lens mount available

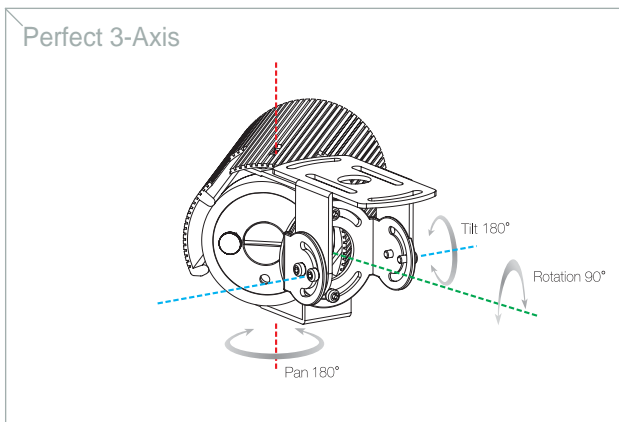
The unit builds in 4mm ~ 9mm varifocal zoom lens as a standard for a wide coverage of unexpected focal distance and various angle of view at event area. It is very convenient as there is no need to change the camera or the lens at the installation. Users can adjust the exact focal distance to set up the best quality picture on the security position. For experienced installers, fixed focal distance is enough for some cases. The model can be with a different range of varifocal lens such as 2.6 ~ 6mm, 9 ~ 22mm as an option. It is compatible with a variety of different angle range from wide to narrow by the request.

IP67 Weatherproof

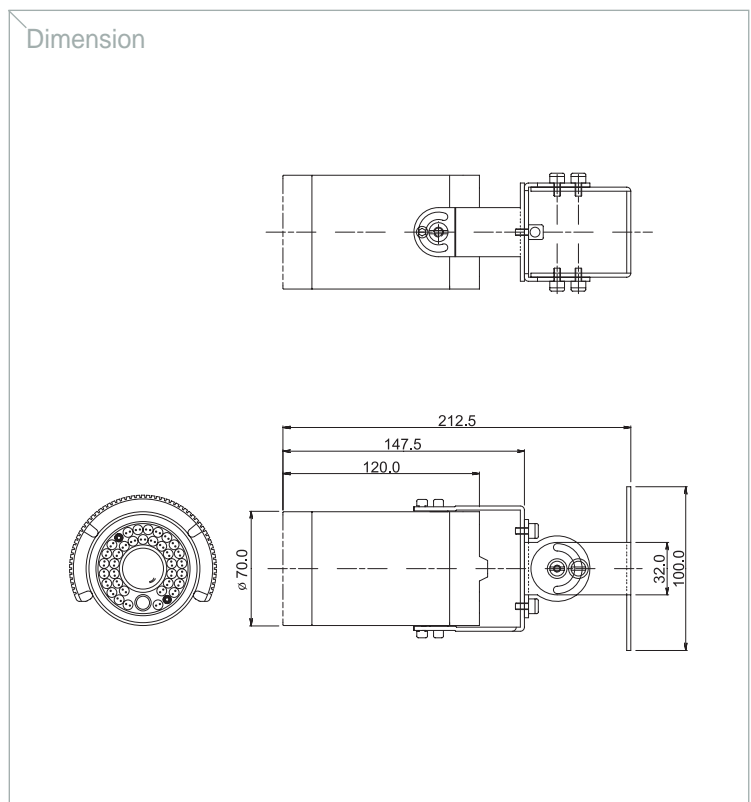
The unit is duly passed IP67 international weatherproof standard, allowing the camera to be operated safely from even extremely harsh water storming weather condition.

Extremely reliable Power control

The model adopts a power safety technology to prevent it from overheating. It is remarkable that the unit doesn't generate heat at all. Generally LED cameras generate too much heat and it hurts the life cycle of LED and CCD sensor. It is regarded as natural having no alternative before. This unit provides a clear solution for a trouble-free and powerful True Day & Night LED camera.



MODEL	VN70HQ
Image sensor	1/3" Sony Super HAD CCD II/Ex-view HAD CCD
Effective Pixels	NTSC : 752(H) x 582(V) PAL : 768(H) x 494(V)
H.Resolution (TRUE DN)	560 TV Lines : NTSC , 600TV Lines : PAL - Color at Day 550 TV Lines : NTSC , 590 TV Lines : PAL - BW at Night
Synchronizing system	Internal Line lock
Scanning system	NTSC : 525 Lines PAL : 625 Lines 2:1 Interlaced
Video output	1.0Vp-p Composite. 75 Ohms
S/N ratio	More than 50 dB (AGC Off)
Min. illumination	0.1 Lux/0.01Lux at F1.6 w/o LED, 0(zero) Lux with LED
BLC	On / Off (with DIP SW)
White balance	2,100°K ~ 9,100°K Auto
Gain Control	0dB ~ 32dB Auto
Gamma correction	$\gamma = 0.45$
Smear effect	0.005%
Shutter speed	NTSC : 1/60 ~ 1/100,000 sec. PAL : 1/50 ~ 1/100,000 sec.
LED spectrum	850nm visible IR LED x 36EA
IR beam distance	2 ~ 30M(Super HAD II) / 2 ~ 40M(Ex-view HAD)
IR LED'S MTBF	20,000 hours (more than 4 Years)
Power source	12VDC 24VAC
Operation current	550mA w/regulated 12VD in 220mA w/regulated 24VAC in
Lens (Filter removable)	Standard : 4 ~ 9mm Varifocal DC iris lens Option : 2.6 ~ 6mm Varifocal DC iris lens 9 ~ 22mm Varifocal DC iris lens
Operating Temp.	14°F~122°F (-10°C ~ +50°C)
Humidity	Within 90% RH
Output Terminal	60cm + 1.2M DIY 4 pin DIN Waterproof cable with BNC-Fe for Video, 2 Pin terminal conn. for Power
Measurement (mm)	70(D) x 120(L) w/o Hood
Weight(Approx.g)	1,800
Optional Feature 1	Invisible IR LED (940nm IR)
Optional Feature 2	External Audio with C-Microphone " - 35dB / mV "



3DNR & HSBLC Series HD Series

Analog camera

IP camera

DVR

Accessories