

Product Information

Thanks to high sensitive, long range(850nm) Infra-red LED x 14EA, the camera completely uncovers long distance dark area at 0 Lux night within the distance of up to 20 M. Invisible 940nm IR LEDs are also available as an option.

The mode of image is changed from Color at daytime to BW at night time at 5 lux darkness automatically.

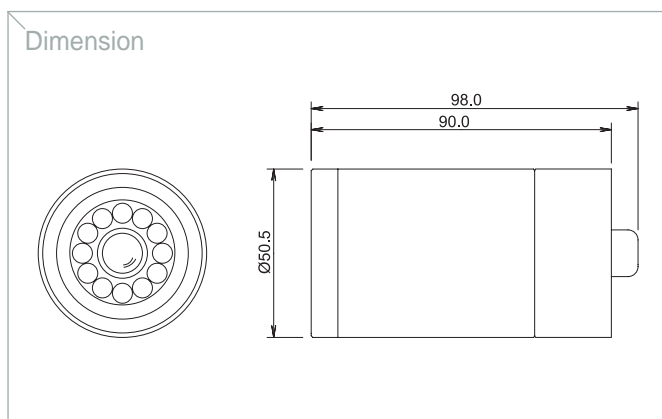
Most of CCD cameras have a focus distortion problem when IR illumination is joined for night vision. Our camera has a smart self-focus adjustment solution that precisely corrects the distorted focus under IR illumination.

The model incorporates an IR LED protection technology that intelligently prevents IR LEDs from burning out and maintains the performance of IR LEDs for extremely long time. The unit is passed IP67 test and guarantees moisture condensation-free on the glass against any harsh weather condition.



Key Features

- Moisture condensation-free !
- 1/3" Sony Super HAD CCD sensor
- Clear focus at night with Anti-IR focus distortion technology built-in
- IR sensitive BW switching at night & true color at day
- Highly defined 400 TVL Horizontal Resolution
- Extremely reliable IR Protection technology
- Long Viewable distance at "0" Lux darkness
- No heat !!
- Automatic LED on/off
- Weatherproof (IP67)



MODEL	VN51CS-H43
Image sensor	1/3" Sony Super HAD Color CCD
Effective Pixels	NTSC : 512(H)X492(V) PAL : 500(H)X582(V)
H.Resolution	400 TVL(Day)/420TVL(Night)
Sync. system	Internal
Scanning system	NTSC 525 Lines PAL 625 Lines 2:1 Interlaced
Video output	1.0Vp-p Composite. 75 Ohms
S/N ratio	More than 50 dB (AGC Off)
Min. Illumination	0.2 Lux at F2.0 w/o LED, 0 Lux with LED
BLC	Automatic
White balance	2100°K - 9100°K Auto
Gain Control	4dB~32dB Auto
Gamma correction	r=0.45
Smear effect	0.005%
Shutter speed	NTSC : 1/60 - 1/100,000 sec PAL : 1/50 - 1/100,000 sec
LED spectrum	850nm 20 degree visible x 14 LEDs
IR Beam distance	2-15M
MTBF	20,000 hours
Power source	DC12V
Operation current	260mA or less w/regulated 12VDC power in
Lens Standard	4.3mm(78°)
Option	3.6mm(92°), 6.0 mm (54°), 8.0mm(39°)
Operating Temp.	14° F~122° F (-10° C ~ +50° C)
Humidity	Within 90% RH
Output Terminal	2+4ft Waterproof cable cable with BNC-Female for Video, DC Jack-Male for Power
Measurement (mm)	50(D)x90(L) w/o Hood
Weight(Approx.g)	500 Incl. Bracket
Optional Function 1	Invisible 940nm 20 degree IR LED
Optional Function 2	External Audio with C-Microphone "-35dB / mV "