

VDA30EH-B36

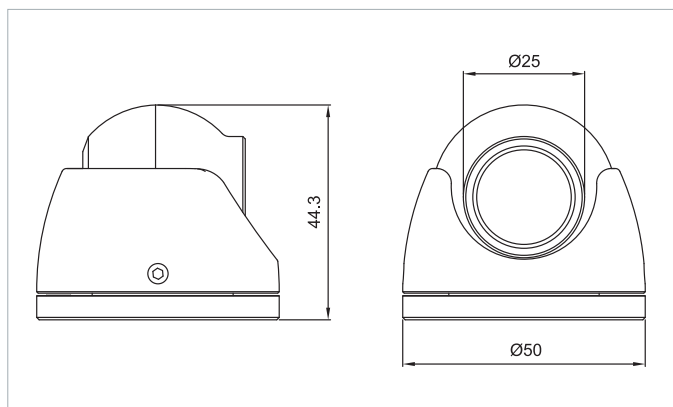
650TVL Mini Armor Dome Camera



Key Features

- 1/3" Sony 960H Ex-view HAD CCDII
- 650TVL(D)/ 700TVL(N)
- New Color Signal Processing for High Color Reproduction
- 2D DNR(Digital Noise Reduction)
- 3.6mm Fixed lens (92 degree AOV/Diagonal)
- Digital Day & Night
- 3-Axis (All directional mount)
- IP67 Weatherproof
- DC7V~18V Power Input

Dimension



| MODEL | VDA30EH-B36 |
|--------------------------|---|
| Image sensor | 1/3" Sony 960H Ex-view HAD CCD II |
| Effective Pixels | NTSC : 976(H) x 494(V), PAL : 976(H) x 582(V) |
| H. Resolution | 650TV Lines(Color)/ 700TV Lines(B/W) |
| Synchronizing system | Internal |
| Scanning system | NTSC : 525 Lines PAL : 625 Lines 2:1 Interlaced |
| Video output | 1.0Vp-p Composite 75 Ohms |
| S/N ratio | More than 52dB (AGC Off) |
| Min. Illumination | 0.1Lux(Color), 0.01Lux(B/W) |
| Shutter Speed | NTSC: 1/60~1/10,000 sec. PAL: 1/50~1/10,000 sec. |
| Gamma Correction | Standard $\gamma = 0.45$ |
| White Balance | 1,800°K ~ 10,500°K Auto |
| Gain Control | Standard : -6dB ~ 44.8dB Auto |
| Smear Effect | 0.01% |
| Power source | 12VDC (7-18V available) |
| Operating current | 80mA |
| Lens(Standard) | 3.6mm Fixed Iris lens |
| MTBF | 80,000 hours |
| Iris Control | Electronic |
| Operating temp./Humidity | -10°C ~ 50°C (Humidity : 0% RH ~ 90% RH) |
| Storage Temperature | -15~60°C |
| IP Rating | IP 66 |
| Measurement (mm) | Ø50 X 44mm (H) |
| Weight (Approx. g) | 150 |