

VDA110H

3DNR Outdoor Dome Camera

PRODUCT INFORMATION

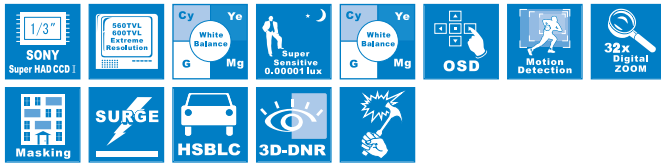
VDA110H is an outdoor dome camera containing a lot of user-friendly mechanisms and configurations. It incorporates a perfect and tool-free 3-Axis mount with which the camera can be installed on the wall, on the ceiling or on the slope with no limitation. This unit realizes 560TVL(Day)/600TVL(Night) High Resolution with 1/3" Sony Super HAD CCD II and color signal removal technology at nighttime. Highly improved image process engine and Sens-up technology detect subject clear in B/W mode.

3D adaptive Noise Reduction Filter effectively removes the noises from the image signal under the low light and helps to reproduce a more vivid and clear image.

With the built-in HSBLC(Highlight Suppression BLC) technology, the unit can make the selected highlights masked and the dark brightened simultaneously to capture the numbers on the License Plate clearly at nighttime.

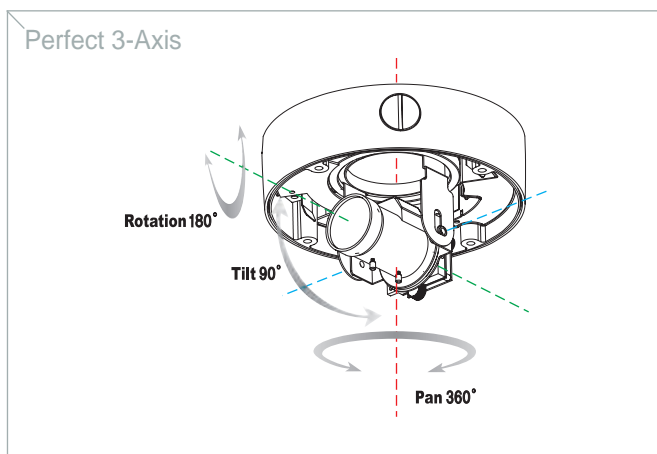
OSD function can be controllable by RS-485 communication.

IP66 Weatherproof, Tamper resistance and Fire resistance are secured.



Key Features

- 1/3" Sony Super HAD CCD II
- 560 TVL at Day / 600 TVL at night
- 0.00001 Lux at F1.3 (SENS-UP remarkable low lux performance)
- 3DNR (3D Noise reduction)
- HSBLC (Highlight Suppression BLC)
- Privacy zone (8 zones)
- Motion detection zone (4 zones)
- RS-485 remote control (Pelco-D)
- Multi-lingual OSD menu
- Surge voltage input protection built-in
- 12VDC, 12VDC / 24VAC dual power (Non-polarity power input)
- IP66 weatherproof
- Tool-free 3-Axis



MODEL	VDA110H
Image sensor	1/3" Sony Super HAD CCD II
Effective Pixels	NTSC : 768(H) x 494 (V) PAL : 752(H) x 582 (V)
H. Resolution	NTSC : 560TV Lines (Day) / 600 TV Lines (Night) PAL : 550 TV Lines (Day) / 590 TV Lines (Night)
Synchronizing system	Internal
Scanning system	NTSC : 525 Lines PAL : 625 Lines 2:1 Interlaced
Video output	1.0Vp-p Composite. 75 Ohms
S/N ratio	More than 52dB(AGC Off)
Min. illumination	0.00001Lux/F1.3(Sens-up), 0.2 LUX/F1.3
Shutter Speed	NTSC : 1/60~1/100,000 sec. PAL : 1/50 ~ 1/100,000 sec.
Gamma correction	Standard $\gamma = 0.45$ (OSD)
White Balance	2,000°K ~ 20,000°K Auto
Gain Control	Standard : 6dB ~ 40dB, Off / Low / Middle / High
Smear Effect	0.005%
Power source	12VDC , 12VDC / 24VAC Dual Power
Operating current	200mA / 12VDC, 100mA / 24VAC
Iris Control	DC / MANUAL
Lens	3.3~12mm Varifocal DC Iris Lens / F1.3
Operating Temperature	14 °F ~ 122 °F (-10 °C ~ +50 °C)
Humidity	Within 90% RH
Measurement (mm)	164(Ø) X 121.5(H)
Weight (Approx.g)	1,900

OSD Menu	
White Balance	ATW / PUSH / MANUAL / AWC
Sens-up	x2 ~ x128
Privacy Masking	Off / On (8 programmable zones)
Motion Detection	Off / On (4 zones)
Digital zoom	Off / On (x1 ~ x32)
3DNR	Off / On

