

Mi Series Megapixel IP Camera



Driving IP-based physical security
through global standardization

VC58SM3i Box Camera

H.264 / M-JPEG Dual Mode, 3.0 Megapixel Sony CMOS Sensor, Day/Night, 2 Way Audio, Standard PoE, IPv4 & IPv6 Compatible

Model: VC58SM3i / VC58SM3i-W (IEEE 802.11b/g/n wireless)



The Vision Mi Series Network IP Camera, with its high quality Megapixel video, is designed for any networked security surveillance application, and comes fully equipped with state-of-the-art features setting it apart from other network cameras on the market today.

Conformant with ONVIF Core 1.02.

Features

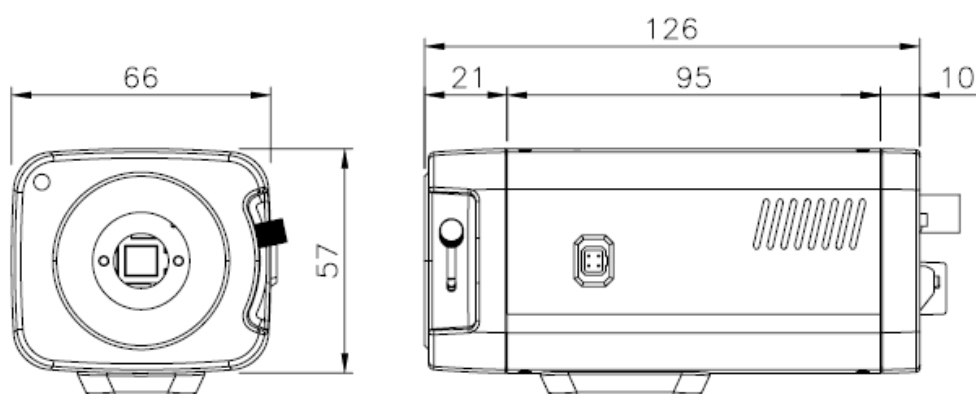
- 3.0 Megapixel 1/2.8" SONY progressive scan CMOS image sensor for excellent image quality
- Dual Streaming of H.264 and M-JPEG
- Up to 30 frames per second at all image resolutions
- Supports image resolutions up to Full HD (1920x1080)
- IPv4 & IPv6 compatible
- Integrated motion detection with pre- and post-alarm image/video buffering
- Event-triggered FTP and email upload of still images and videos
- Full Duplex Two-Way Audio Support
- Digital PTZ
- UPnP supported
- SD/SDHC Local storage, event triggered, scheduled and continuous recording supported
- 1 Port analog video loop-out port



Product info support@visionhitech.co.kr
Marketing vht@visionhitech.co.kr

- External microphone input & speaker output connector
- Terminal block for external sensors or external alarm devices
- Supports CBR (constant bit rate) and VBR (variable bit rate) modes
- Controllable frame rate
- Video access through any standard Web browser
- Privacy Masking up to 4 areas
- Supports IEEE 802.3af Power over Ethernet injectors, mid- and end-spans
- Integrated HTTP Web server supporting 50 simultaneous user connections
- HTTPS supported (Hyper Text Transfer Protocol Secured)
- Integrated E-Mail, FTP, DDNS and DHCP client
- Extensive CGI API for software integration and remote programming operations
- Includes Windows based IP Installer and license-free 16 channel NVR(Network Video Recorder) software

Dimension



Specifications

Classification		Specification
General	CPU	32-bit ARM9 RISC CPU up to 533MHz, 32KB I/D-Cache, MMU
	Video Buffer	16Mbyte Video Frame Buffer
	Flash	16 Mbyte Flash Memory
	SDRAM	256Mbyte
Image Pickup	Image sensor	3.0 Megapixel 1/2.8" SONY progressive scan CMOS image sensor
	Total Pixels	2144(H) x 1588(V) 3.4 Megapixel
	Effective Pixels	2096(H) x 1561(V) 3.27 Megapixel
	S/N Ratio	More than 52dB
	Min. Illumination	1 Lux with DSSX2 (F1.2, 30IRE, AGC On),

	Day & Night	D/N Output Port, ICR
	Lens (Not included)	C/CS Mount, DC Iris
Video	Video compression	H.264 baseline profile, Motion JPEG
	Resolutions	Up to 1920 x 1080
	Frame rate	H.264 Up to 15fps with 1920x1080
		MJPEG Up to 15fps with VGA (Simultaneous dual stream)
		MJPEG single stream up to 30 fps @ 720p
	Video streaming	Support multi stream with H.264, MJPEG
		Adjustable frame rate
		VBR/CBR in H.264
	Pan/Tilt/Zoom	Digital PTZ
	Image setting	Day & Night
		ATR-EX(WDR)
		Auto White Balance
Auto Exposure		
Privacy Mask		
	Effect - Color, Sharpness, Mirror/V-Flip, etc.	
Output	BNC x1, 1.0Vp-p, 75 ohm Composite Video, NTSC/PAL	
Audio	Audio streaming	Two-way, full duplex
	Audio compression	G.711
	Sample Rate	8KHZ
	Data Rate	64Kbps
	Audio input	Microphone input /1 x Line-In (Single Mono)
	Audio output	Line output/ 1 x Line-Out (Single Mono)
Network	Security	Password protection
		User access log
		HTTPS encryption
	Supported protocol	HTTP, HTTPS, FTP, SMTP, UPnP, DNS, DynDNS, NTP
		RTSP, RTP, TCP, UDP, ICMP, DHCP
Wireless LAN	IEEE 802.11 b/g/n (for VC58SM3i-U)	
System integration	Intelligent video	Motion detection up to 1920x1080 with 32x24 blocks
	Alarm trigger	Motion detection
		External input/Normal Open/Close Type
	Alarm events	File upload via ftp, e-mail
Notification via email, FTP and TCP		

		External output activation/Normal Open/Close Type
	Video buffer	16MB pre-alarm and post-alarm
	Recording	Save to SD/SDHC card with event mode and continuous mode
	Firmware upgrade	Remote upgrade via network
	API	CGI Interface document
		ActiveX Interface(ocx(dll) + document)
Physical	RESET Button	1 x Factory Reset Button
	Power Source	DC 12V/1.5A, PoE(Power over Ethernet): 802.3af
	Power Consumption	Max. 5.5W
	Net Weight	580g (Camera Only, without Lens)
	LED's	Power, Network Connection
	Dimension	66mm(W) X 57mm(H) X 126mm(D)
Environment	Operating Temperature	-25 degree~50 degree Celsius (-13F~122F)
	Storage Temperature	-25 degree~60 degree Celsius (-13F~140F)
Software	Included Software	NVR Lite (16 Channel), IP Installer (Windows Only)
Package	Package Contents	Network Camera, Use Manual, External Power Adaptor, Bracket, Software CD

■ Specifications are subject to change without prior notice to enhance performance and stability

Connectors

