

Product Information

Housing

Camera Housing ALU-3000/SN with 300 mm Inner Length, Sunshield and IP Rating 67 for Mounting to videotronic infosystems Pan/Tilt Heads

Product Data

- aluminium housing with 300 mm inner length and attractive design
- IP rating 67
- incl. sunshield
- for mounting to videotronic infosystems pan/tilt heads
- operable temperature range up to -10°C
- PG threaded joint for system cable
- draw-pull mechanism for easy mounting



Description

The ALU-3000/SN camera housing is a robust aluminium camera housing for mounting to pan/tilt heads in outdoor areas. With its inner length of 300 mm the elegant housing is suitable for all videotronic infosystems cameras with videotronic infosystems motorzoom lenses up to 120 mm.

The housing is intended to be mounted to videotronic infosystems pan/tilt heads and can be easily mounted to these. It has a platform construction that makes it possible to completely align the camera even when the housing is open, additionally allowing easy camera adjustments and settings. With the insulating case included in the scope of delivery the camera can be mounted potential-free into the housing. This avoids any type of leak current by ground potential and the resulting hum in the video picture.

With its IP67 rating the housing protects the camera in all weathers. The housing's light powder coating guarantees long durability and looks elegant.

The housing's heater makes operation in temperatures of up to -10° C possible and prevents the front pane from steaming up when the weather changes.

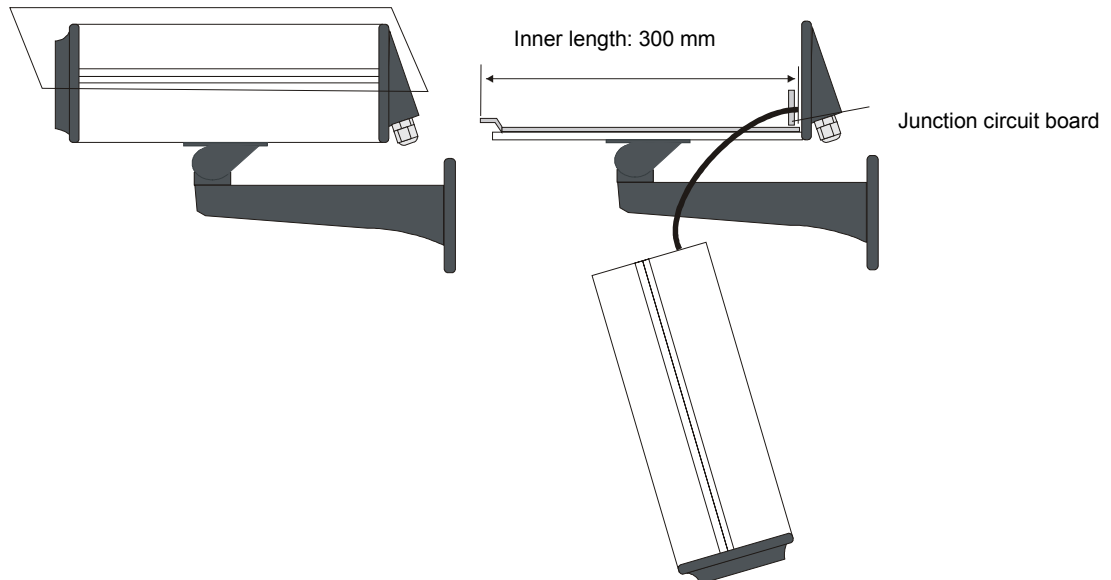
A sunshield is included in the scope of delivery. It prevents a dazzling of the camera and protects the housing's interior from overheating caused by intense direct sunlight. The 26 pole system cable of the pan/tilt head is led into the housing through a PG threaded joint.

Security in Focus.

videotronic[®]
infosystems

Housing

Dimensioned Drawing



Technical Specifications

Type	ALU-3000/SN
Application	CCD camera housing for videotronic infosystems pan/tilt heads
Mounting location	indoors / outdoors
IP rating	IP 67
Heater	12 VDC / 2 W
Camera mount	mounting base
Construction	aluminium low profile housing
Cable running	PG screwing for 26 pole system cable
Operating temperature	-10° to +55°
Air humidity	up to 95 %
Mounting	for SN-15AH/PPHS/ALU, SN-20/ALU and SN-20PP/ALU
Weight	2.5 kg
Inner dimensions (w x h x d)	70 x 70 x 300 mm
Outer dimensions (w x h x d) w/o wall mount	133 x 133 x 420 mm
Front glass dimensions (w x d)	60 x 65 mm
Front glass material / thickness	acrylic glass / 1 mm
Housing material	aluminium; front / rear: plastic
Housing colour	RAL 7035 grey/beige powder-coated; front / rear: dark grey
Connection	via 26 pole system cable

© videotronic infosystems gmbh, Germany 03/2003
Errors and omissions excepted.

Security in Focus.

videotronic[®]
infosystems