

Product Information

Housing

Camera Housing ALU-2500 with 250 mm Inner Length and IP Rating 67, Complete with Wall Mount and Sunshield

Product Data

- aluminium housing with 250 mm inner length and attractive design
- IP rating 67
- incl. wall mount and sunshield
- operable temperature range up to -10°C
- 3 PG threaded joints for video / operating voltage / trip line
- draw-pull mechanism for easy mounting



Description

The ALU-2500 camera housing is a robust aluminium camera housing for outdoor applications. With its inner length of 250 mm the elegant housing is suitable for all videotronic infosystems cameras with monofocal or vari-focal lenses.

The housing is easy to mount and has a platform construction that makes it possible to completely align the camera even when the housing is open, additionally allowing easy camera adjustments and settings. With the insulating case included in the scope of delivery the camera can be mounted potential-free into the housing. This avoids any type of leak current by ground potential and the resulting hum in the video picture.

With its IP67 rating the housing protects the camera in all weathers. The housing's light powder coating guarantees long durability and looks elegant.

The housing's heater makes operation in temperatures of up to -10°C possible and prevents the front pane from steaming up when the weather changes.

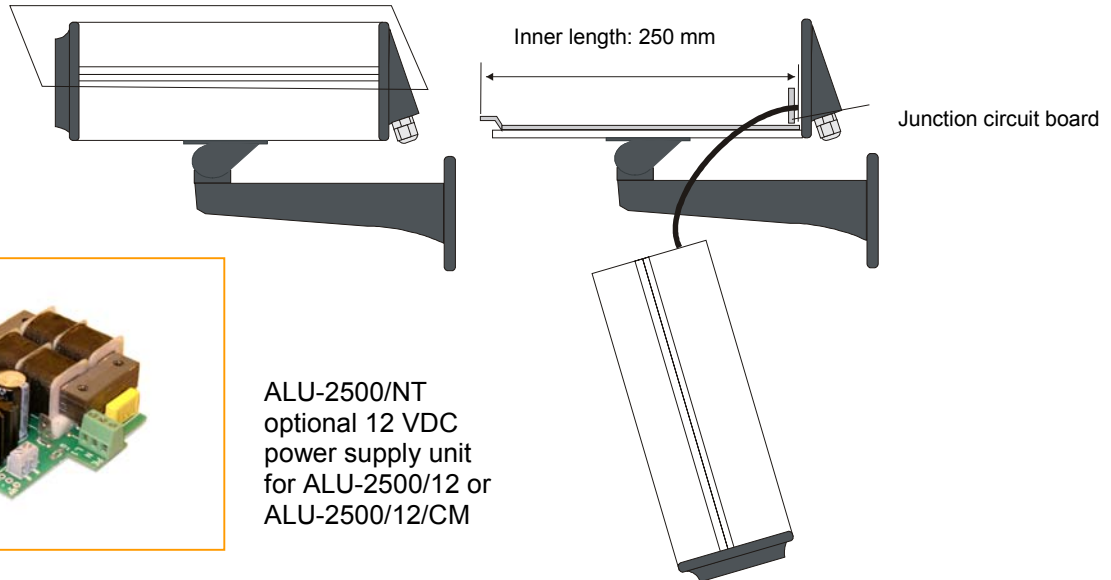
A sunshield is included in the scope of delivery. It prevents a dazzling of the camera and protects the housing's interior from overheating caused by intense direct sunlight. With the included wall mount the housing can be mounted problem-free to walls in nearly no time at all. The cables for video / operating voltage / trip line are led into the housing through three PG threaded joints. The optional power supply unit ALU-2500/NT is required if a 12 VDC camera in an ALU-2500/12 housing is to be operated at a supply voltage of 230 VAC.

Security in Focus.

videotronic[®]
infosystems

Housing

Dimensioned Drawing



Technical Specifications

Type	ALU-2500/12	ALU-2500/230	ALU-2500/12/CM	ALU-2500/230/CM
Application	CCD camera housing			
Mounting location	indoors / outdoors			
IP rating	IP 67			
Heater	12 VDC / 2 W	230 V / 10 W	12 VDC / 2 W	230 V / 10 W
Camera mount	mounting base			
Construction	aluminium low profile housing			
Cable running	3 x PG screws		3 x PG screws and internal cable running	
Cable management	no		yes	
Operating temperature	-10° to +55°			
Air humidity	up to 95 %			
Mounting	with wall mount included in the scope of delivery		with wall mount included in the scope of delivery with integrated cable running	
Weight	2.5 kg			
Inner dimensions (w x h x d)	70 x 70 x 250 mm			
Outer dimensions (w x h x d) w/o wall mount	133 x 133 x 370 mm			
Front glass dimensions (w x d)	60 x 65 mm			
Front glass material / thickness	acrylic glass / 1 mm			
Housing material	aluminium; front / rear: plastic			
Housing colour	RAL 7035 grey/beige powder-coated; front / rear: dark grey			

© videotronic infosystems gmbh, Germany 03/2003
Errors and omissions excepted.

Security in Focus.

videotronic[®]
infosystems