

- Outdoor installations
- Die-cast aluminium painted with epoxy powder
- Autopan function with delayed inversion
- Optional Preset version
- Wide range of accessories available
- Weatherproof standard IP66
- 30kg load rating



PTH900 + HEG37K + VIP6 + WFWBT

3

P&T MOTORS AND CONTROLS



The Pan & Tilt motors of this series are made of die-cast aluminium construction painted with epoxy polyester powder RAL9002 and are equipped with a motor for each movement.

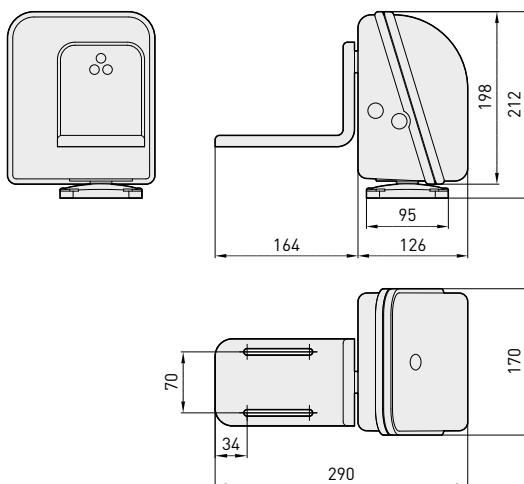
They are suitable for medium loads (max 30kg) and for use in outdoor and medium-duty applications.

They allow a maximum horizontal rotation of 345°, vertical 350° and are equipped with an automatic functioning in the horizontal movement with delayed inversion; the rotation amplitude is easily adjustable by means of the horizontal and vertical limit switches.

PTH910SA and PTH911SA versions are equipped with motor heaters for installation in severe environments.

PTH910P and PTH911P versions are equipped with a potentiometer, which allow the preset by means of our telemetry systems.

Wide variety of controllers available, ranging from the simple CBZ controllers, to the most sophisticated microprocessor controlled telemetry receivers.



The values are in millimeters.

TECHNICAL DATA

3

P&T MOTORS AND CONTROLS

PTH900					
Model	Power supply	Autopan	Preset	Heater	Max consumption
PTH910	230V AC	•			26W
PTH911	24V AC	•			26W
PTH910P	230V AC	•	•		26W
PTH911P	24V AC	•	•		26W
PTH910SA	230V AC			•	66W
PTH911SA	24V AC			•	46W

GENERAL

Constructed of corrosion-proof die-cast aluminium
 Painted with epoxy polyester powder RAL9002
 Stainless steel screws
 Mounting position normal/reverse
 Supplied with side bracket for camera housing, accessories for mounting screws, instruction manual

MECHANICAL

Dimension: 120x168x192mm (4.7x6.6x7.6in)
 Maximum load: 30kg (66lb) (balanced)
 0-345° horizontal plane movement
 6°/s fixed horizontal speed
 Pan Static Torque: 11Nm
 Pan Dynamic Torque 30 Nm at specified voltage
 Internally adjustable horizontal limit switches
 0-350° vertical plane movement
 3°/s fixed vertical speed
 Tilt Static Torque: 22Nm
 Tilt Dynamic Torque 60 Nm at specified voltage
 Backlash: Pan 0.17°, Tilt 0.07°
 Internally adjustable vertical limit switches
 1 PG11 cable gland and 1 blanking cap for PTH900 and PTH900SA model
 2 PG11 cable glands for PTH900P model

ELECTRICAL

Power supply 24/230V AC
 Consumption horizontal motor 13W max
 Consumption vertical motor 13W max
 Autopan Standard (not PTH900SA)
 Preset potentiometer linear 5Kohm multitrans (5 turns) (only for PTH910P / PTH911P)

Heater

- PTH911SA 24V AC, consumption 20W max
- PTH910SA 230V AC, consumption 40W max

RELATED PRODUCTS

PTBC	Wall bracket for PTH900 P&T
PTDC	Ceiling bracket for PTH P&T series
PTPC	Top pole bracket for PTH P&T series
WFWBTA	Column bracket for PTH P&T series
CBZ220	Unit for direct control of one PTH910
CBZ24	Unit for direct control of one PTH911
MICRODEC485	Telemetry receiver 8 functions for PTH911
DTMRX2	Telemetry receiver 12 functions for PTH910
DTMRX224	Telemetry receiver 12 functions for PTH911
DTRX3	Telemetry receiver 17 functions for series PTH900
DTMRX324	Telemetry receiver 17 functions for PTH911
Housing:	HEG, HEP, HOV, HEB

ENVIRONMENT

Outdoor / Indoor
 Operating Temperature: -20°C / +50°C (-4°F / 122°F) for PTH900 and PTH900P
 Operating Temperature: -40°C / +50°C (-40°F / 122°F) for PTH900SA
 Resistant to the salt-air fog until 1000 hours (according to ISO9227)

COMPLIANCE TO

CE according to EN 61000-6-3, EN 50130-4
 IP66 according to EN 60529

SPARE PARTS LIST

OPTHMAN	Maintenance kit
DOTPTH900	Installation kit for P&T PTH900



Unit Weight:
 PTH900 5.6kg / 12.3lb

Package Weight:
 PTH900 6kg / 13.2lb

Package Dimension (BxHxL):
 PTH900 17.5x27x23.5cm / 6.9x10.6x9.3in

Master Carton:
 PTH900 6 units