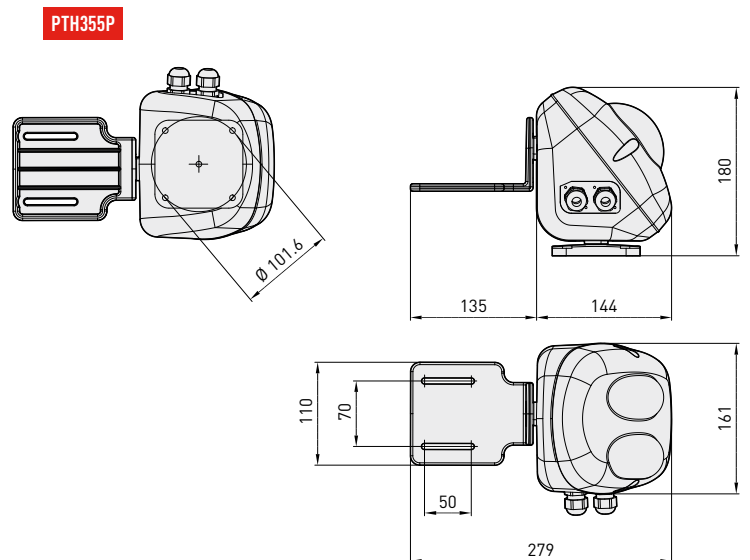
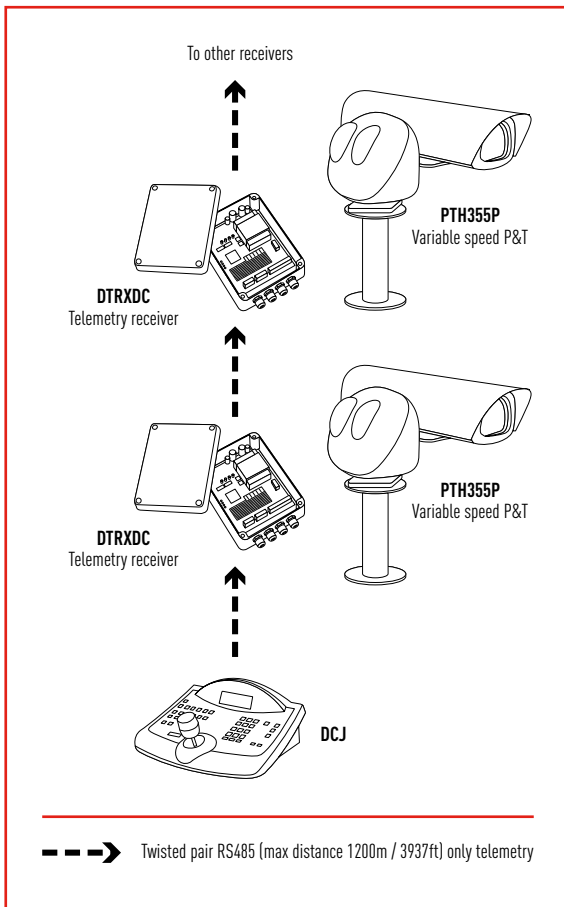




- Outdoor / indoor installation
- Die-cast aluminium painted with epoxy powder
- 12kg load rating
- Variable speed
- Weatherproof standard IP66

The PTH355P Pan & Tilt motor is suitable for medium duty outdoor installations with loads up to 12kg balanced. It is made of die-cast aluminium construction protected by epoxy polyester painting RAL9002. They allow a maximum horizontal speed of 30°/s, a maximum vertical speed of 18°/s and an horizontal rotation of 345°, vertical 360°. The PTH355P version is available in 24V DC. It is possible to utilize the preset functions by the telemetry systems and the PTH355P can be easily controlled through DCJ or DCT keyboards and the specific telemetry receiver DTRXDC.



The values are in millimeters.

PTH355P

VARIABLE SPEED PAN & TILT



TECHNICAL DATA

PTH355P				
Model	Power supply	Autopan	Preset	Max consumption
PTH355P	24V DC		•	22W

GENERAL

Constructed of corrosion-proof die-cast aluminium
 Painted with epoxy polyester powder RAL9002
 Stainless steel screws
 Mounting position normal/reverse
 Supplied with side bracket for camera housing, screws, accessories for mounting and instruction manual

MECHANICAL

Dimensions: 144x161x180mm [5.6x6.3x7in]
 Maximum load: 12kg [26lb] (balanced)
 0-345° horizontal plane movement
 Horizontal speed from 0 up to 30°/s
 Pan Torque: 6Nm
 Internally adjustable horizontal limit switches
 0-360° vertical plane movement
 Vertical speed from 0 up to 18°/s
 Tilt Torque: 6Nm
 Backlash: Pan 0.16°, Tilt 0.15°
 Internally adjustable vertical limit switches
 2 PG11 cable glands

ELECTRICAL

Power supply 24V DC
 Horizontal motor consumption 11W max
 Vertical motor consumption 11W max
 Standard Preset
 Potentiometer Linear 5KOhm Multiturns (10 turns)
 Max distance to receiver DTRXDC: 15m [4.3ft] or 5m [16.4ft] with preset

RELATED PRODUCTS

PTAC	Wall bracket for PTH300 P&T
PTDC	Ceiling bracket for PTH P&T series
PTPC	Top pole bracket for PTH P&T series
WFWBTA	Column bracket for PTH P&T series
DTRXDC	Telemetry receiver 13 functions
Housings:	HEA, HEB, HEK, HEM, HOV, HEP, VERSO, VERSO COMPACT

ENVIRONMENT

Outdoor / Indoor
 Operating Temperature: -20°C / +50°C [-4°F / +122°F]
 Resistant to the salt-air fog until 1000 hours (according to ISO9227)

COMPLIANCE TO

CE according to EN 61000-6-3, EN 50130-4
 IP66 according to EN 60529

SPARE PARTS LIST

OPH3MAN	Maintenance kit
DOTPTH300	Installation kit for P&T PTH300



Unit Weight:
 PTH355 3.6kg / 7.9lb

Package Weight:
 PTH355 4kg / 8.8lb

Package Dimension (BxHxL):
 PTH355 17.5x27x23cm / 6.9x10.6x9in

Master Carton:
 PTH355 6 units