

# NXM36

## HOUSING FOR INSTALLATION IN AGGRESSIVE ENVIRONMENTS

### MAIN FEATURES

Made of AISI 316L electropolished stainless steel  
 IP66/IP68, submersible down to -40m (-130ft), equal to 4 BAR max pressure  
 Cylindrical body enclosed by two 6mm-thick circular flanges  
 2 PG13,5 cable glands nickel-plated brass for external connections  
 Available accessories: heater and double heater (for temperatures down to -40°C (-40°F), camera power supply, wiper and washer pump

### DESCRIPTION

The NXM36 housing has been developed for installations in highly corrosive areas such as industrial chemical, petrochemical, marine, naval and offshore platforms; entirely realized of electropolished and passivated AISI 316L stainless steel for maximum protection against deterioration.

Weatherproof IP66/IP68, it provides a complete protection against dust and it's submersible down to 40m (130ft).

The options of wiper and water pump ensure a constant cleaning of the front window

For the coldest environments down to -40°C (-40°F), the range includes a specific version with reinforced heater.

The NXM36 housing can be installed on NXPTH Pan & Tilt head, to obtain a complete positioning system.



NXM36



NXM36



VIPNX

### AVAILABLE MODELS

Model Number	Sunshield	Heater 120/230Vac	Heater 12Vdc/24Vac	Double heater 120/230Vac	Max consumption
NXM36D0000	-	-	-	-	-
NXM36K1000	✓	✓	-	-	40W
NXM36K1050	✓	-	-	✓	80W
NXM36K2000	✓	-	✓	-	20W

**TECHNICAL DATA****GENERAL**

Constructed from electropolished stainless steel (austenitic alloy stainless steel, corrosion and heat resistant according to the following standards):

- AISI 316L
- UNI 6900-71: X 2 Cr Ni Mo 17 12 2
- DIN 17006: X 2 Cr Ni Mo 17 13 2
- N° werkstoff 1.4404
- AFNOR: Z2 CND 17-12
- BSI: 316S11

The screws utilised are in austenitic alloy stainless steel, corrosion and heat resistant according to the following standards:

- ISO: 7380
- AISI: 316
- ISO quality: A4
- Resistance class ISO: from 50 to 70

UNI: Ente Nazionale Italiano di Unificazione, AISI: American Iron and Standard Institute, DIN: Deutsche Industrie Normen, AFNOR: Association Française de Normalisation, BSI: British Standard Institution, ISO: International Organization for Standardization.

**MECHANICAL**

Cable glands: 2xPG13.5 (nickel-plated brass for external connections)

Flange thickness: 6mm (0.2in) (front/back)

External body polishing

Gaskets: High sealing O-ring

Tempered window glass

- Dimensions (Ø): 112mm (4.4in) (external), 97mm (3.8in) (usable diameter)
- Thick: 4mm (0.2in)

External dimensions (ØxL): 154x358mm (6.1x14.1in)

Internal usable area (WxH): 88x86mm (3.5x3.4in)

Internal usable area (with double heater) (WxH): 55x100mm (2.2x3.9in)

Internal usable length (without accessories): 334mm (13.1in)

Internal usable length (with heater and/or power supply): 245mm (9.6in)

Unit weight: 5kg/11lb

**ELECTRICAL**

Heating (Ton 15°C±3°C (59°F±5°F), Toff 22°C±3°C (77°F±5°F))

- Power supply/Consumption: IN 12Vdc/24Vac, 20W max
- Power supply/Consumption: IN 120/230Vac, 40W max, 80W max (with double heater)

Camera power supply

- IN 100-240Vac - OUT 12Vdc, 50/60Hz, 1A
- IN 230Vac - OUT 24Vac, 50/60Hz, 400mA

**ENVIRONMENT**

Indoor/Outdoor

Submersible: down to -40m (-130ft) (4Bar pressure)

Operating temperature (with heater): -20°C (-4°F)/+60°C (140°F)

Operating temperature (with double heater): -40°C (-40°F)/+60°C (140°F)

**CERTIFICATIONS**

CE EN61000-6-3, EN60065, EN50130-4

IP66/IP68 EN60529 IP66/IPx8 (4Bar, for 48 hours)

**ACCESSORIES**

OHEH06B	Heater 120/230Vac
OHEH05B	Heater 12Vdc/24Vac
ONXPS1B	Wide range power supply for camera IN 100-240Vac - OUT 12Vdc, 1A
ONXPS2B	Camera power supply IN 230Vac - OUT 24Vac, 400mA
VIPNX1C	230Vac stainless steel wiper for NXM housing
VIPNX2C	24Vac stainless steel wiper for NXM housing
WASOV5L5M00	Water tank 5l, pump with delivery up to 5m (16ft), IN 230Vac-24Vac-120Vac
WASOV23L5M00	Water tank 23l, pump with delivery up to 5m (16ft), IN 230Vac-24Vac-120Vac
WASOV23L11M00	Water tank 23l, pump with delivery up to 11m (36ft), IN 230Vac-24Vac-120Vac
WAS1V23L30M00	Water tank 23l, pump with delivery up to 30m (98ft) with water floating, IN 230Vac
WAS3V23L30M00	Water tank 23l, pump with delivery up to 30m (98ft) with water floating, IN 120Vac
WASPTOV5L5M00	Water tank 5l, pump with delivery up to 5m (16ft), IN 230Vac-24Vac-120Vac
WASPTOV23L5M00	Water tank 23l, pump with delivery up to 5m (16ft), IN 230Vac-24Vac-120Vac
WASPTOV23L11M00	Water tank 23l, pump with delivery up to 11m (36ft), IN 230Vac-24Vac-120Vac
WASPT1V23L30M00	Water tank 23l, pump with delivery up to 30m (98ft) with water floating, IN 230Vac
WASPT3V23L30M00	Water tank 23l, pump with delivery up to 30m (98ft) with water floating, IN 120Vac
DTWRX	Data receiver for remote control of the wiper and WASPT range pumps

**RELATED PRODUCTS**

NXPTH Stainless steel Pan & Tilt

**BRACKETS AND ADAPTORS**

NXWBS1 Stainless steel wall bracket with joint

**SPARE PARTS**

ONXM36MAN Maintenance kit for NXM36

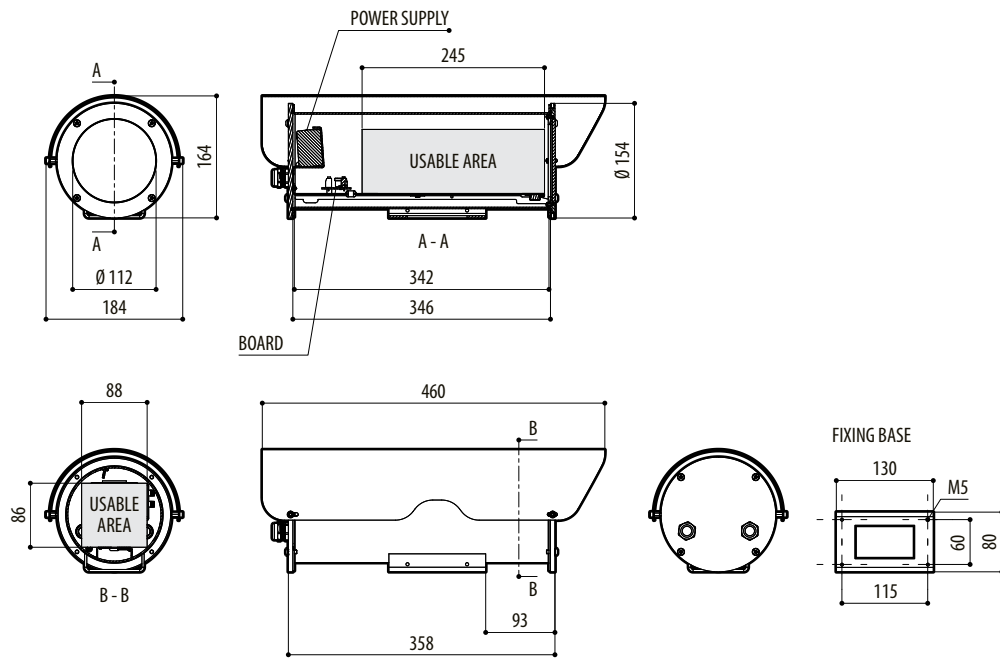
OSPAVIPNXMC Complete blade for VIPNX wiper

**PACKAGE**

Model Number	Weight	Dimensions (WxHxL)	Master carton
NXM36K1000	6.4kg	29.5x19.5x49cm (11.6x7.7x3.8in)	-

**TECHNICAL DRAWINGS**

Sizes in millimeters.



NXM36

