

MAIN FEATURES

- Germanium glass window
- AISI 316 stainless steel construction
- For highly aggressive environments
- Supplied with sunshield and 230Vac heater
- Weatherproof standard IP66/IP67

DESCRIPTION

The NTM housing, entirely constructed from AISI 316 electropolished stainless steel, is equipped with a Germanium viewing window designed for thermal camera installations. The clear Germanium glass composition with remarkable properties covers transmission from 7.5 to 14µm IR range with the best optical quality. The window dimension allows the installation of different cameras/lens combination.

NTM is designed to operate in special environments such as marine, industrial, chemical and where the external agents are highly corrosive.

The housing consists of a 130mm diameter cylindrical body enclosed by two 9mm thick circular flanges. The back flange is equipped with two PG13.5 cable glands for the external connections.

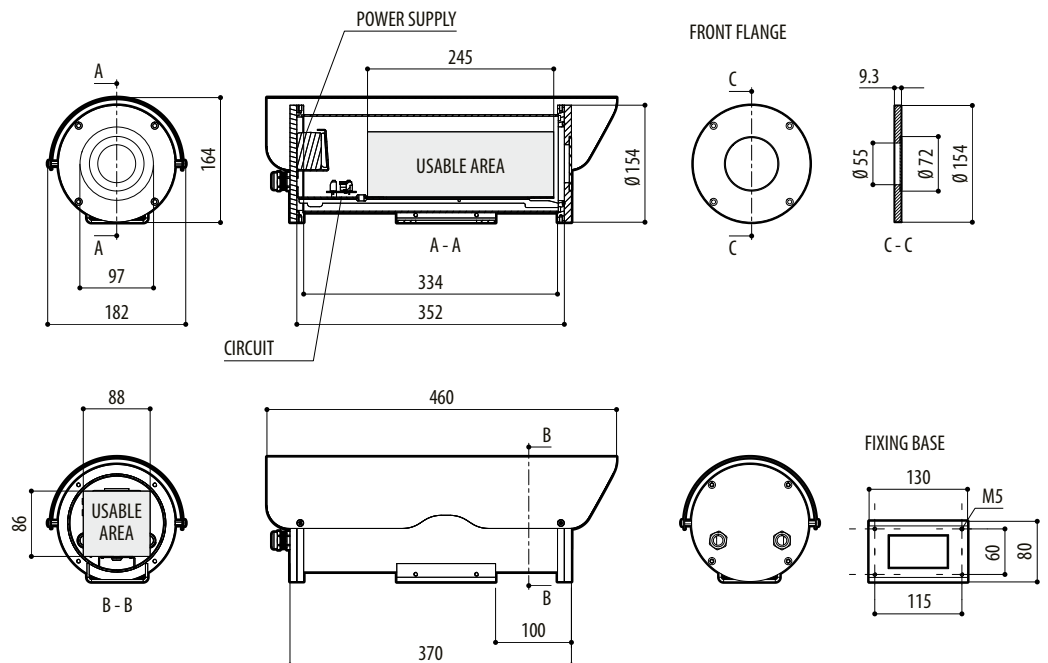
A wide range of accessories is available: sunshield, heater, stainless steel brackets and wiper-washer.



NTM

AVAILABLE MODELS

| Code | Sunshield | Power supply 230Vac | Power supply 24Vac | Ø Germanium Glass |
|-----------|-----------|---------------------|--------------------|-------------------|
| NTM1K1000 | • | • | | 55mm |



NTM

mm 1:10

TECHNICAL DATA

GENERAL

Constructed from electropolished stainless steel (Austenitic alloy stainless steel, corrosion and heat resistant according to the following standards):

- UNI 6900-71: X 2 Cr Ni Mo 17 12
- AISI: 316
- DIN 17006: X 2 Cr Ni Mo 18 10
- N° WERKSTOFF: 1.4404
- AFNOR: Z2 CND 17-12
- BSI: 316 S 12

The screws utilised are in austenitic alloy stainless steel, corrosion and heat resistant according to the following standards:

- UNI 6900: X 5 Cr Ni Mo 1712
- AISI: 316
- ISO quality: A4
- Resistance class ISO: 80

Supplied with instruction manual, desiccant bag, accessories for camera and lens mounting

UNI: Ente Nazionale Italiano di Unificazione, AISI: American Iron and Standard Institute, DIN: Deutsche Industrie Normen, AFNOR: Association Française de Normalisation, BSI: British Standard Institution, ISO: International Organization for Standardization.

MECHANICAL

2 cable glands: 2xPG13.5 in nickel-plated brass for external connections

External body polishing

9mm (0.3in) thick front and back flange

O-ring gaskets

Internal usable area (WxH): 88x86mm (3.5x3.4in)

Internal usable length

NTM 334mm (13.1in)

Internal usable length with heater and/or power supply

NTM 245mm (9.6in)

GERMANIUM GLASS WINDOW

2mm (0.07in) thick, Ø 70mm (2.8in) external, Ø 55mm (2.1in) internal

External non-scratch treatment (hard carbon coating)

Internal antireflection treatment

Spectral range from 7.5 to 14µm IR range

Average transmission from 7.5 to 11.5µm, 94%

Average transmission from 11.5 to 14µm, 90%

WIPER

Wiperblade and enclosure constructed from AISI 316 stainless steel

Dimensions (ØxL): 100x169mm (3.9x6.6in), not comprehensive of blade

Connector 3+1 pins

IN 230Vac, consumption 7W max

IN 24Vac, consumption 7W max

ELECTRICAL

Heater Ton 15°C±3°C (59°F±5°F) Toff 22°C±3°C (71°F±5°F)

- IN 12Vdc/24Vac, consumption 20W max
- IN 115/230Vac, consumption 40W max

Camera power supply

- IN 100-240Vac - OUT 12Vdc, 50/60 Hz, 1A
- IN 230Vac - OUT 24Vac, 50/60Hz, 400mA

ENVIRONMENT

Indoor / Outdoor

Operating temperature with heater: -20°C / +60°C (-4 / +140° F)

CERTIFICATIONS

NTM

CE EN61000-6-3, EN60065, EN50130-4

IP66/IP67 EN60529

VIPNX

CE EN61000-6-3, EN60065, EN50130-4

IP66 EN60529

ACCESSORIES

| | |
|-------------|---|
| ONXMAS6 | Sunshield |
| OHEH06B | Heater 115/230Vac |
| OHEH05B | Heater 12Vdc/24Vac |
| ONXPS1B | Wide range camera power supply IN 100-240Vac - OUT 12Vdc, 1A |
| ONXPS2B | Camera power supply IN 230Vac - OUT 24Vac, 400mA |
| VIPNX1C | Wiper 230Vac |
| VIPNX2C | Wiper 24Vac |
| VIP5WAS01 | Tank 5l (1,3gal), 230Vac washer pump |
| VIP5WAS02 | Tank 5l (1,3gal), 24Vac washer pump |
| VIP23WAS01 | Tank 23l (6gal), 230Vac washer pump |
| VIP23WAS02 | Tank 23l (6gal), 24Vac washer pump |
| VIP23WASA01 | Tank 23l (6gal), 230Vac washer pump, high delivery up 30m |
| UPTWAS01C | Tank 23l (6gal), IN 230Vac washer pump (prearranged for DTWRX board) |
| UPTWAS02C | Tank 23l (6gal), IN 24Vac washer pump (prearranged for DTWRX board) |
| UPTWAS03C | Tank 23l (6gal), IN 120Vac washer pump (prearranged for DTWRX board) |
| UPTWASA01C | Tank 23l (6gal), IN 230Vac washer pump, high delivery up 30m (98ft) (prearranged for DTWRX board) |
| UPTWASA03C | Tank 23l (6gal), IN 120Vac washer pump, high delivery up 30m (98ft) (prearranged for DTWRX board) |
| DTWRX | Optional board for remote control of wiper and washer pump of the UPTWAS series |

BRACKETS AND ADAPTORS

NXWBS1 Wall bracket for stainless steel housing

RELATED PRODUCTS

NXPHT Stainless steel Pan&Tilt

SPARE PARTS

ONXMMAN Maintenance kit NTM housing
 OSPAVIPNXM Complete wiper blade for VIPNX
 ONTMFA Complete NTM front cover

PACKAGE

| Code | Unit weight | | Package weight | | Package dimensions (WxHxL) | | Master carton unit |
|-------|-------------|------|----------------|------|----------------------------|--------------|--------------------|
| | kg | lb | kg | lb | cm | in | |
| NTM | 6.0 | 13.2 | 10.2 | 22.5 | 24.5x24.5x62.0 | 9.7x9.7x24.1 | - |
| VIPNX | 1.7 | 3.7 | 1.9 | 4.2 | 14.5x15.0x27.0 | 5.7x5.9x10.6 | - |