

# HOV HI-POE IPM

## ALUMINIUM HOUSING WITH IPM TECHNOLOGY FOR IP CAMERAS

### FEATURES

|   |
|---|
| IPM technology (Intelligent Power Management)   |
| PoE / Hi-PoE power supply for heating, demisting, illuminator, fan and PoE network camera           |
| Compatible with IEEE 802.3af, IEEE 802.3at/PoE Plus   |
| Indoor / Outdoor  |
| IP66/IP67 (with cable glands or optional sealing rings)   |
| Special cable gland for a fast Ethernet connection/disconnection without cutting the RJ45 connector |
| Pre-arranged for internal cable management bracket  |
| Version with fan with double air filter   |
| Version with anti-icing heated glass  |
| Pre-arranged to supply a GEKO IRH illuminator   |

### DESCRIPTION

The HOV Hi-PoE IPM housing exploits in an optimal way the POE and Hi-POE technology, using the power supplied by the Ethernet cable as the sole source of power for all the devices connected, thus ensuring the maximum efficiency and flexibility of the network system as well as user-friendly installation and low costs. The innovative IPM (Intelligent Power Management) system enables extremely quick and easy installation with the use of a single Ethernet connecting cable.

The Hi-POE IPM system automatically detects all the options, like heating, fan and illuminator and then autonomously balances the power to ensure suitable distribution of the same to the connected devices. This guarantees the optimal operation of the IP camera between -30°C (-22°F) and +60°C (140°F), with heat regulation and cold start (activation at low temperature).

The analog system, with previously installed camera housings, can be retrofitted on IPM system simply by changing the slide and the internal electronics. This enables the digital conversion, speeding up the installation and thereby minimizing costs and environmental impact.



HOV HI-POE IPM



HOV HI-POE IPM + GEKO IRH + CAMERA



HOV HI-POE IPM + GEKO IRH + WBJA



MODULE IPM (INTELLIGENT POWER MANAGEMENT)



ANTI-ICING HEATED GLASS

**TECHNICAL DATA****GENERAL**

Constructed from aluminium

Sunshield in ABS

Epoxypolyester powder painting, RAL9002 colour

Stainless steel external screws

**MECHANICAL**

Cable glands: 1xM12, 1xM16, 1xM20

Glass window (WxH): 118x75mm (4.6x2.7in)

Internal usable area (WxHxL): 100x70x250mm (3.9x2.7x9.8in)

Unit weight: 3.1kg (6.6lb)

**ELECTRICAL**

Power absorbed in input: PoE class 3 (13W) or Hi-PoE class 4 (25W) selectable from dip switch

Available power for camera (PoE IN class 3): PoE Class 2 (7W)

Available power for camera (Hi-PoE IN class 4): PoE class 3 (13W) with Ton -10°C ±2°C "cold start" function

Data line: 10/100Base-T

Illuminator GEKO IRH, low power: 6W

Heater: 8W, electronically controlled, Ton 20°C±2°C (68°F±4°F), Toff 23°C±2°C (73.4°F±4°F)

Fan with thermostat for camera cooling for versions with double air filter: Ton 35°C±2°C (95°F±4°F), Toff 32°C±2°C (89.6°F±4°F)

Demisting with forced hot air: 5W

Anti-icing heated glass: 5W, Ton 30°C±2°C (86°F±4°F), Toff 33°C±2°C (91.4°F±4°F)

Compatible with IEEE 802.3af, IEEE 802.3at/PoE Plus

Compatible with the Power Injector (OHEPOWINJ: VIDEOTEC optional accessory)

**ENVIRONMENT**

Indoor/Outdoor

Operating temperature: From -10° (14°F) a +60°C (140°F)

Operating temperature (with heater): From -30°C (-22°F) a +60°C (140°F)

**CERTIFICATIONS**

Electrical safety (CE): EN60950-1

Electromagnetic compatibility (CE): EN50130-4, EN61000-6-4

IP protection degree: EN60529

- IP66/IP67 (with cable glands)
- IP66/IP67 (with special gaskets and bracket with internal cable channel)
- IP55 (with bracket with internal cable channel)
- IP44 (for models with double filter for ventilation)

Salty fog resistance: ISO9227, to 1000 hours

UL certification: cULus Listed, TYPE 4X (except for version with double filter for the air exchange, HOV32K2A716)

**HOV HI-POE IPM AVAILABLE MODELS AND FEATURES**

| Operating temperature              | Injector             | Camera                 | Demisting system | Illuminator | Heater | Anti-icing heated glass | Fan with double air filter | Model Number |
|------------------------------------|----------------------|------------------------|------------------|-------------|--------|-------------------------|----------------------------|--------------|
| From -10° (14°F) a +60°C (140°F)   | PoE classe 3 (13W)   | PoE max. class 2 (7W)  | ✓                | -           | -      | -                       | ✓                          | HOV32K2A716  |
|                                    | Hi-PoE class 4 (25W) | PoE max. class 3 (13W) | ✓                | ✓           | -      | -                       | ✓                          | HOV32K2A716  |
| From -10° (14°F) a +60°C (140°F)   | PoE classe 3 (13W)   | PoE max. class 2 (7W)  | ✓                | -           | -      | -                       | -                          | HOV32K2A700  |
|                                    | Hi-PoE class 4 (25W) | PoE max. class 3 (13W) | ✓                | ✓           | -      | -                       | -                          | HOV32K2A700  |
| From -30°C (-22°F) a +60°C (140°F) | Hi-PoE class 4 (25W) | PoE max. class 3 (13W) | ✓                | -           | ✓      | -                       | -                          | HOV32K2A700  |
|                                    | Hi-PoE class 4 (25W) | PoE max. class 3 (13W) | ✓                | -           | ✓      | ✓                       | -                          | HOV32K2A720  |

**ACCESSORIES**

|           |   |
|-----------|---|
| OHEPOWINJ | Hi-PoE Power Injector, 1 channel  |
| OWBIP3    | Sealing rings kit (1xM12 - 1xM16 - 1xM20) IP66/IP67 for WBOVA2 and WCM4A2 brackets for VERSO Hi-PoE IPM and HOV Hi-PoE IPM housings |
| OHEGBB    | Weatherproof junction box   |
| OSUPPIR   | Bracket for mounting 1 GEKO IRH illuminator under the housing   |

**RELATED PRODUCTS**

|          |   |
|----------|---|
| PTH300   | Horizontal/vertical Pan & Tilt                |
| PTH900   | Horizontal/vertical Pan & Tilt                |
| IRH10L8A | LED Illuminator, 10°, 850nm, 24Vac - 12/24Vdc |
| IRH30L8A | LED Illuminator, 30°, 850nm, 24Vac - 12/24Vdc |
| IRH60L8A | LED Illuminator, 60°, 850nm, 24Vac - 12/24Vdc |

**BRACKETS AND ADAPTORS**

|         |  |
|---------|--|
| WBJA    | Wall mount   |
| WBOVA2  | Wall bracket with internal cable channel   |
| WBOV3A2 | Wall bracket with internal cable channel, counterplate and support box, not compatible with OHEBVF1, OHEBVF2 and OHEBVF3 |
| WCM3A   | Ceiling bracket with ball joint  |
| WCM5A   | Ceiling bracket with ball joint  |
| WCM4A2  | Ceiling bracket with internal cable channel  |
| WFWCA   | Column bracket with joint  |

**SPARE PARTS**

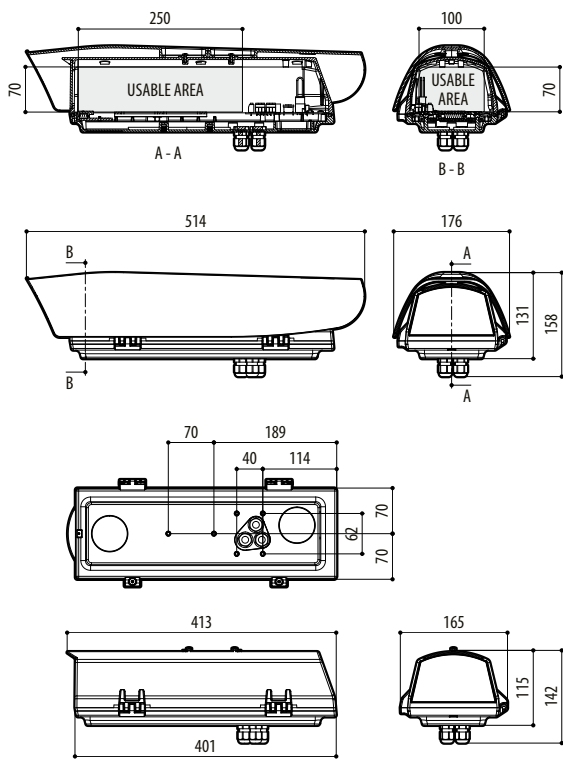
|            |  |
|------------|--|
| OHOVPOEIPM | Maintenance/retrofit kit for HOV and HOV HI-POE IPM housings |
| OHOV32SUP  | Complete upper body  |
| OBKFIL     | Filter replacement kit for double filter versions            |

**PACKAGE**

| Model Number | Weight        | Dimensions (WxHxL) | Master carton |
|--------------|---------------|--------------------|---------------|
| HOV32K2A700  | 3.4kg (7.5lb) | 19.5x14.5x53cm     | 4             |

**TECHNICAL DRAWINGS**

Sizes in millimeters.



HOV HIPOE IPM

