

BRACKETS AND ADAPTERS FOR EXPLOSION PROOF SYSTEMS OF EX SERIES

EXWBJ BRACKET AND BALL JOINT FOR EXH EXPLOSION-PROOF HOUSING

Solid anticorrosional aluminium construction

Epoxy polyester powder painting, RAL7032

Version available with RAL7001 special painting for low temperature applications (EXWBJ00R)

The EXBJ, alone, allows the column mount

Load rating: 35kg (77lb)

Length: 455mm (17.9in)

Unit weight EXWBJ: 6.6kg (14.5lb)

EXBJ000 BALL JOINT FOR THE COLUMN MOUNT OF EXH EXPLOSION-PROOF HOUSINGS

Solid anticorrosional aluminium construction

Epoxy polyester powder painting, RAL7032

Available version with RAL7001 special painting for low temperature application (EXBJ00R)

Unit weight: 2.9kg (6.4lb)

EXPTWB BRACKET FOR EXPT EXPLOSION-PROOF PAN & TILT

Solid anticorrosional aluminium construction

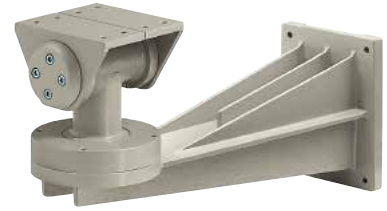
Epoxy polyester powder painting, RAL7032

Available version with RAL7001 special painting for low temperature application (EXPTWB00R)

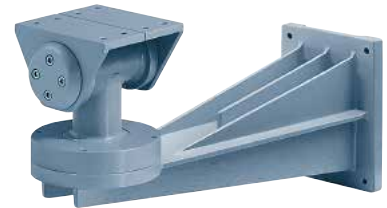
Load rating: 100kg

Length: 676mm (26.6in)

Unit weight: 11.3kg (25lb)



EXWBJ000



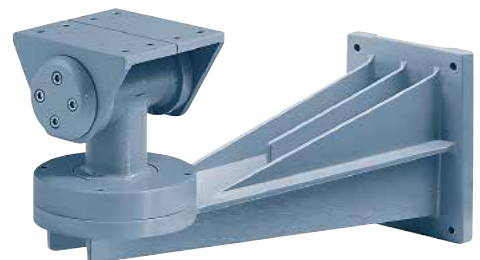
EXWBJ00R



EXBJ000



EXWBJ000



EXWBJ00R

TECHNICAL DATA**EXWBJ BRACKET AND BALL JOINT FOR EXH EXPLOSION-PROOF HOUSING**

Part number

EXWBJ000 Bracket and ball joint RAL7032 for EXH series

EXWBJ00R Bracket and ball joint for EXH RAL7001

EXBJ000 Only ball joint for EXH RAL7032 housings

EXBJ00R Only ball joint for EXH RAL7001 housings

PACKAGE

Model Number	Weight	Dimensions (WxHxL)	Master carton
EXWBJ	7kg (15.4lb)	27x18x49cm (10.5x7x19.3in)-	

EXBJ000 BALL JOINT FOR THE COLUMN MOUNT OF EXH EXPLOSION-PROOF HOUSINGS

Part number

EXBJ000 Only ball joint for EXH RAL7032 housings

EXBJ00R Only ball joint for EXH RAL7001 housings

PACKAGE

Model Number	Weight	Dimensions (WxHxL)	Master carton
EXBJ000	3.2kg (7.1lb)	16x21x12cm (6.3x8.3x4.7in)-	

EXPTWB BRACKET FOR EXPT EXPLOSION-PROOF PAN & TILT

Part number

EXPTWB000 Bracket RAL7032 for EXPT series

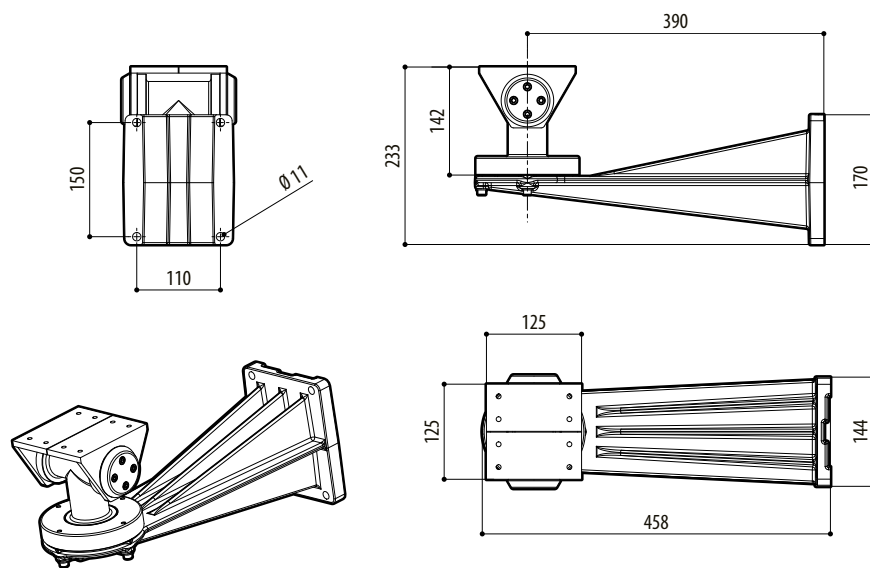
EXPTWB00R Supporto per EXPT RAL7001

PACKAGE

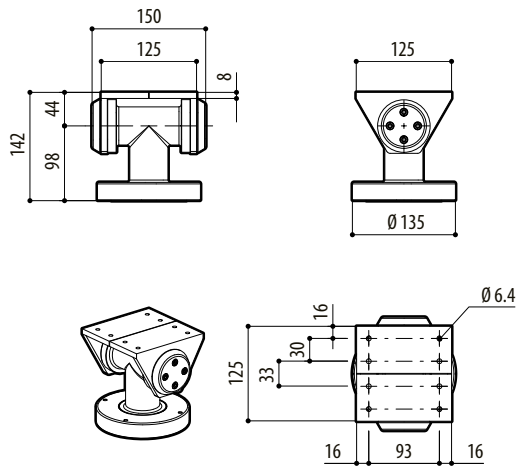
Model Number	Weight	Dimensions (WxHxL)	Master carton
EXPTWB000	12kg / 26.5lb	29x66x33cm (11.4x26x13in)-	

TECHNICAL DRAWINGS

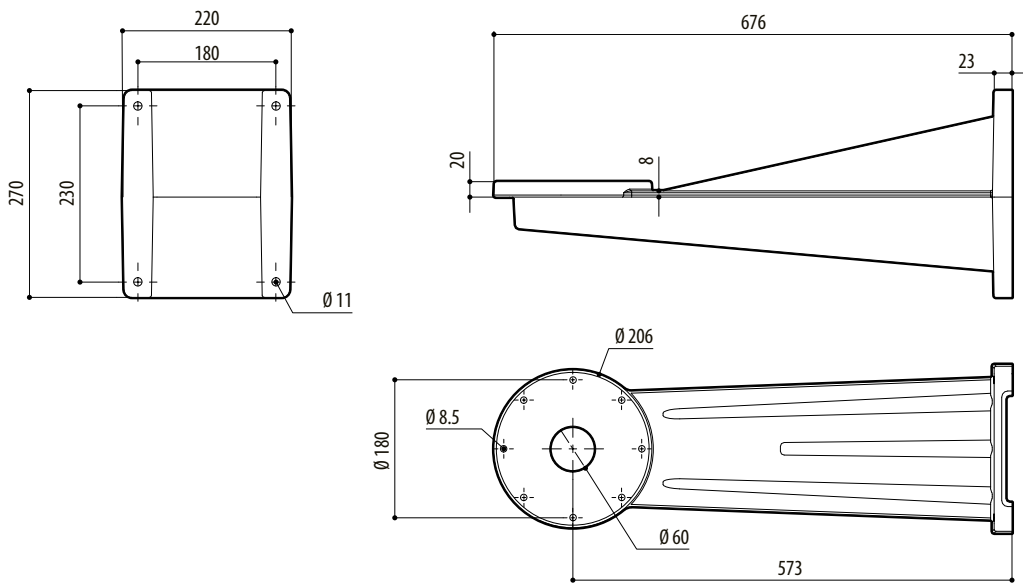
Sizes in millimeters.



EXWBJ



EXBJ000



EXPTWB