

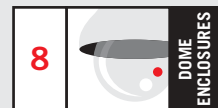


Half-sphere dome for dropped (false) ceiling mount for discreet surveillance in a variety of indoor CCTV applications, particularly suitable for supermarkets, banks, shopping centers.

The DSBH120 has been carefully designed and manufactured utilizing new and technologically advanced materials. A valid solution which ensures the effective camouflage of the camera without compromising the quality of the video image.

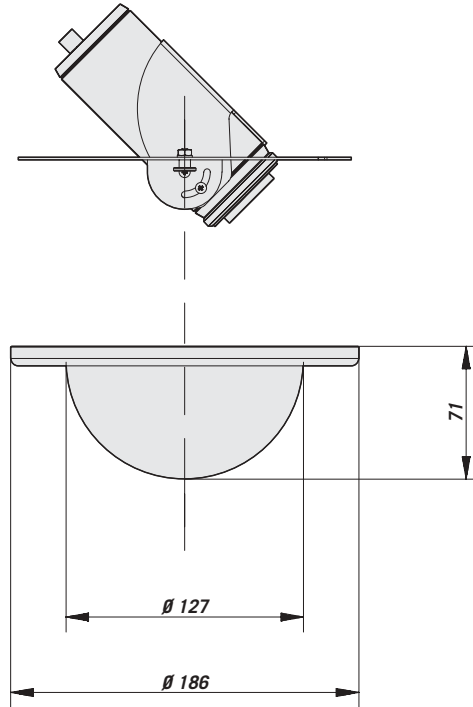
The installation is quick and allows easy access to the camera for maintenance or an eventual repositioning.

- Indoor dropped (false) ceiling installations
- Dome made of PMMA
- Adjustable camera slide
- Diameter 120 mm



MODELS

DSBH120	Smoked ceiling mount dome camera housing
DSBH120TR	Trasparent ceiling mount dome camera housing



The values are in millimeters.

TECHNICAL DATA

GENERAL

- Ceiling installation
- Adjustable camera tray
- Supplied with: accessories for camera mount

MECHANICAL

- Made of PMMA
- External dimensions: Ø 185 mm (7.28 in)
- Internal dimensions: Ø 120 mm (4.7 in)

ENVIRONMENT

- Indoor



Unit Weight (kg / lb):
DSBH120: 0,6 / 1.3

Package Weight (kg / lb):
DSBH120: 0,8 / 1.7

Package Dimensions (cm / in):
DSBH120: 14x25,5x20 / 5.5x10x7.8

Master Carton (units):
DSBH120: 15