



### VC-700S and VC-710S Series Fixed-Position Camera Domes

- **Color camera**
- **Smoked lower dome**
- **Super-high-resolution (550 TVL)**
- **3.3 – 12 mm varifocal autoiris lens**
- **Model available with Wide Dynamic Range**
- **Adjustable camera position**
- **12 VDC or 24 VAC operation**
- **In-ceiling, surface-mount or 4x4 electrical box (without adapter) installation**
- **Dome protected with special security screws**
- **Cost-effective design**

The VC-700S and VC-710S Series of Fixed-Position Camera Domes offer a compact domed housing incorporating a fixed camera and lens combination. They are configured for in-ceiling or surface-mount installation; alternatively, the unit can be installed directly to a standard 4x4 electrical box without the need of an adapter. The domes include a super-high-resolution color camera with an isolated power input and a varifocal autoiris lens. They have a smoked lower dome. The VC-710 series provides wide dynamic range for the best contrast for high-quality images. Models are available in NTSC and PAL formats. Refer to Table 1 for complete model descriptions.

The camera position is adjustable, allowing for adjustment of pan (360°), tilt (90° from vertical) and rotation about its axis (roll/azimuth), for any angle of view required. The lens zoom and focus can be easily adjusted. The camera accepts 12 VDC/24 VAC input; BLC, AGC, and Iris settings are DIP switch selectable.

The VC-700S and VC-710S Series of Fixed-Position Camera Dome meets FCC requirements for a Class A device.

Model	Product Code	Description
VC-700S/ VC-700SC	9137-24/9137-23	Indoor; 1/3-in. color camera and 3.3-12 mm autoiris varifocal lens; 550 TVL resolution, 12 VDC/24 VAC; isolated power input; 4-1/2-inch smoked lower dome; NTSC/PAL.
VC-710S/ VC-710SC	9137-34/9137-33	Indoor; 1/3-in. color camera and 3.3-12 mm autoiris varifocal lens; 550 TVL resolution, wide dynamic range, 12 VDC/24 VAC; isolated power input; 4-1/2-inch smoked lower dome; NTSC/PAL.
<b>Power Supplies</b>		
VC24PS-1/ VC24PS-1-230	4297/4297-01	Single-channel, indoor, 120/230 VAC input, 24 VAC output, 10 W output
V248-3.5PS	7668	Eight-channel, indoor, 120 VAC input, 24 VAC output, 0.4 A/channel, (3.5 A total)
V2416-8PS	7669	Sixteen-channel, indoor, 120 VAC input, 24 VAC output, 0.5 A/channel (8 A total)
V2448-175PS	6410-20	Four-channel, indoor, 120 VAC input, 24/28 VAC output (jumper selectable), 7/6.25 amps (total)

**Caution:** Note that on multi-channel units, the amperage stated is the total for all channels. To assure sufficient current to individual cameras, connect only the number of cameras that use less than the maximum supply current.

**Table 1: Models, Product Codes and Descriptions**

## Technical Information

### ELECTRICAL

**Input Voltage:** 12 VDC (11-20 VDC) or 24 VAC (20-27 VAC) isolated.

**Current:** **VC-700S**  
209 mA nominal @ 12 VDC;  
84 mA nominal @ 24 VAC.  
**VC-710S**  
250 mA nominal @ 12 VDC;  
105 mA nominal @ 24 VAC.

**Power Consumption:** **VC-700S**  
2.3 W nominal @ 12VDC;  
2.6 W nominal @ 24 VAC.  
**VC-710S**  
3.9 W nominal @ 12 VDC;  
4.0 W nominal @ 24 VAC.

**Heat Equivalent:** **VC-700S**  
0.13 btu/min  
(0.03 kg-cal/min) @ 12 VDC;  
0.15 btu/min  
(0.037 kg-cal/min) @ 24 VAC.  
**VC-710S**  
0.22 btu/min  
(0.056 kg-cal/min) @ 12 VDC;  
0.23 btu/min  
(0.057 kg-cal/min) @ 24 VAC.  
Note: These figures represent the conversion of 100% of the electrical energy to heat. Actual percentage of the heat generated will be less and will vary from product to product. These figures are provided as an aid in determining the extent of cooling required for an installation.

**Connectors:** Power: power leads.  
Video: BNC on pendant cable

**Radio Frequency Emission Rating:** FCC Class A.

### VIDEO

**Video Output:** 1.0 V p-p/75 ohm composite.

**Scanning System:** NTSC: 525 lines, 60 fields/sec.  
PAL: 625 lines, 50 fields/sec.

**Synchronization:** Internal (12 VDC)/External (Line Lock, 24 VAC).

**Camera/Lens Specifications:** Refer to Table 2.

**Maximum Power Distances (@24 VAC):**

Wire Size (AWG) Annealed Copper Wire	Maximum Distance ft (m)	
	VC-700S (@196 mA)	VC-710 (@105 mA)S
20	981 (299)	1832 (558)
18	1567 (478)	2926 (892)
16	2495 (760)	4657 (1420)
14	3955 (1205)	7383 (2250)
12	6299 (1919)	11,758 (3584)

### OPERATIONAL

**Tilt and Horizontal Adjustment:** Pan, 360°; tilt, 90° from vertical and rotation about its axis (roll/azimuth).

**Lens Adjustment:** Focus: focus lever screw.  
Zoom: zoom lever screw.

### MECHANICAL

**Application:** Indoor.

**Mounting:** In-ceiling or surface mount; 4x4 electrical box.

**Dimensions:** Height (H): 5.0 in. (257 mm).  
Diameter (D): 5.7 in. (145.2 mm).  
Dome Diam: 4.5 in. (114 mm).

**Weight:** 0.7 lb (0.3 kg).

**Construction:** Plastic.

**Finish:** Light gray.  
Dome: smoked; black mask.

**Shipping Dimensions:** Height: 6.25 in. (159 mm).  
Width: 7.5 in. (191 mm).  
Depth: 7.5 in. (191 mm).

**Shipping Weight:** 1.2 lb (0.5 kg).

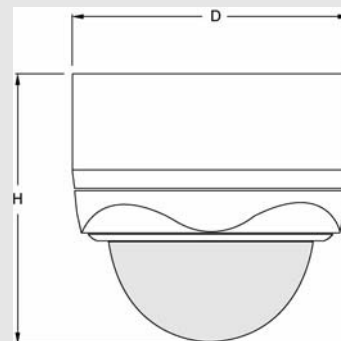
**Shipping Volume:** 0.2 ft<sup>3</sup> (0.006 m<sup>3</sup>).

### ENVIRONMENTAL

**Operating Temperature Range:** +14 to 131° F (-10 to 55° C).

**Operating Humidity Range:** Up to 90% relative, noncondensing.

**Storage Temperature Range:** -4 to 158° F (-20 to 70° C) maximum.



## Technical Information (cont'd)

Model	VC-700/VC-700S	VC-700C/VC-700SC	VC-710/VC-710S	VC-710C/VC-710SC
<b>Camera</b>				
Image Device	1/3-inch CCD, 2:1 interlace, NTSC	1/3-inch CCD, 2:1 interlace, PAL	1/3-inch CCD, 2:1 interlace, NTSC	1/3-inch CCD, 2:1 interlace, PAL
Color/Monochrome	Color	Color	Color	Color
Resolution (TV lines)	550	550	480	480
Sensitivity fc (lux)	0.03 (0.3) scene with f/1.2 lens	0.03 (0.3) scene with f/1.2 lens	0.06 (0.6) 30 IRE, f/1.2, AGC ON	0.06 (0.6) 30 IRE, f/1.2, AGC ON
Synchronization	Internal/Line Lock	Internal/Line Lock	Internal/Line Lock	Internal/Line Lock
Electronic Iris (sec)	1/60-1/100,000	1/50-1/100,000	1/60-1/100,000	1/50-1/100,000
BLC	ON/OFF, DIP switch selectable	ON/OFF, DIP switch selectable	N/A	N/A
WDR	N/A	N/A	ON/OFF, DIP switch selectable	ON/OFF, DIP switch selectable
AGC	ON/OFF, DIP switch selectable	ON/OFF, DIP switch selectable	ON/OFF, DIP switch selectable	ON/OFF, DIP switch selectable
White Balance	ATW/AWB, DIP switch selectable	ATW/AWB, DIP switch selectable	ATW/AWB, DIP switch selectable	ATW/AWB, DIP switch selectable
Signal-to-Noise Ratio	>48 dB (AGC off)	>48 dB (AGC off)	>48 dB (AGC off)	>48 dB (AGC off)
<b>Lens</b>				
Focal Length (mm)	3.3-12 varifocal with autoiris	3.3-12 varifocal with autoiris	3.3-12 varifocal with autoiris	3.3-12 varifocal with autoiris
Angle of View	Horiz: 83.9° - 23.91° / Vert: 61.9° - 17.93°	Horiz: 83.9° - 23.91° / Vert: 61.9° - 17.93°	Horiz: 83.9° - 23.91° / Vert: 61.9° - 17.93°	Horiz: 83.9° - 23.91° / Vert: 61.9° - 17.93°
Iris Setting	Mechanical Iris (ME)/ Electronic Iris (AE) DIP switch selectable	Mechanical Iris (ME)/ Electronic Iris (AE) DIP switch selectable	Mechanical Iris (ME)/ Electronic Iris (AE) DIP switch selectable	Mechanical Iris (ME)/ Electronic Iris (AE) DIP switch selectable

**Table 2: Camera/Lens Specifications**