



ROUGHNECK™

V926 Series Fixed Position Impact-Resistant Camera Domes

- High-resolution color or day/night camera
- Varifocal autoiris lenses
- Adjustable camera position in 4 directions
- Fast installation with electrical box
- 24 VAC operation
- Accessible BNC for local video testing
- Twisted-pair (UTP) version available
- Impact-resistant polycarbonate lower dome

The Roughneck V926 Series of Fixed-Position Impact-Resistant Camera Domes offers a compact domed housing incorporating a fixed camera and lens combination. They are configured for in-ceiling or in-soffit installation and are available for indoor/outdoor installations. The domes include a high-resolution color camera or a day/night camera with an isolated power input with a choice lenses. A smoked polycarbonate lower dome is included. A model is available that offers twisted pair video (UTP) connection. A UTP receiver is required for twisted pair configurations. Refer to Table 1 and Selection Chart for complete model descriptions.

The camera position is adjustable in four directions, allowing for adjustment of pan, tilt, vertical height in the dome and rotation about the lens axis (roll), for any angle of view required. The lens iris and focus can be adjusted, as well as selecting a wide or telephoto angle of view. The cameras accept 24 VAC input, provide BLC ON/OFF (DIP switch selectable) and offer line-lock capability. The units contain a heater that allows fog-free viewing in low temperature applications.

The Roughneck Fixed-Position Impact-Resistant Camera Dome series meets FCC requirements for a Class A device.

Model	Product Code	Description
V926-W3312/ V926-W3312-C	8757-04/ 8757-03	Indoor/Outdoor; 1/3-in. high-resolution ExView™ color camera and 3.3-12 mm autoiris varifocal lens; 24 VAC; isolated power input; heater; coaxial cable video. NTSC/PAL.
V926-W3312T/ V926-W3312T-C	8757-44/ 8757-43	Indoor/Outdoor; 1/3-in. high-resolution ExView color camera and 3.3-12 mm autoiris varifocal lens; 24 VAC; isolated power input; heater; twisted pair video. NTSC/PAL.
V926-W3312DN/ V926-W3312DN-C	8758-04/ 8758-03	Indoor/Outdoor; 1/4-in. high-resolution day/night color camera and 3.3-12 mm autoiris varifocal lens; 24 VAC; isolated power input; heater; coaxial cable video. NTSC/PAL.
V926A-CA/ V926A-CA-C	8395-14/ 8395-13	Indoor/Outdoor; 1/3-in. high-resolution ExView color camera and 2.6-6 mm autoiris varifocal lens; 24 VAC; isolated power input; heater; coaxial cable video. NTSC/PAL.
V926AT-CA/ V926AT-CA-C	8396-14/ 8396-13	Indoor/Outdoor; 1/3-in. high-resolution ExView color camera and 2.6-6 mm autoiris varifocal lens; 24 VAC; isolated power input; heater; twisted pair video. NTSC/PAL.
V926A-DN/ V926A-DN-C	8397-14/ 8397-13	Indoor/Outdoor; 1/4-in. high-resolution day/night camera and 2.6-6 mm autoiris varifocal lens; 24 VAC; isolated power input; heater; coaxial cable video. NTSC/PAL.
UTP Receivers		
V212-NVT	7631	Receiver, converts UTP video to composite up to 500 ft from transmitter
V213-NVT	6518	Receiver, converts UTP video to composite up to 1000 ft from transmitter
V652R-NVT	7453	Receiver, converts UTP video to composite up to 3000 ft from transmitter (does not support Vicoax systems)
V1613-NVT	7648	16-Channel Hub Receiver, converts UTP video to composite up to 1000 ft from each transmitter
V1662-NVT	6519	16-Channel Hub Receiver, converts UTP video to composite up to 3000 ft from each transmitter (does not support Vicoax systems)
Power Supplies		
S24WPS-1	7028-10	Single-channel, indoor/outdoor, 120 VAC input, 24 VAC output, 2 A
S24PS-230	7027-01	Single-channel, indoor, 230 VAC input, 24 VAC output, 2.5 A
V248-300PS	6422-10	Eight-channel, indoor, 120 VAC input, 24/28 VAC output, 12.5/10 A (total)
V2416-600PS	8437	Sixteen-channel, indoor, 120 VAC input, 24/28 VAC, 25/20 A (total)
V2448-175PS	6410-20	Four-channel, indoor, 120 VAC input, 24/28 VAC output (jumper selectable), 7/6.25 amps (total)

Caution: Be aware that some of these power supplies are for indoor use only. Also note that on multi-channel units, the amperage stated is the total for all channels. To assure sufficient current to individual cameras, connect only the number of cameras that use less than the maximum supply current.

Table 1: Models, Product Codes and Descriptions

Vicon Product Facts		Model No: V926 Roughneck Series	Product Code: Refer to Table 1	SEC: 3	SPEC: V150	REV: 407

Technical Information

ELECTRICAL

Input Voltage: 24 VAC \pm 20%.
Current: 0.5 A nominal;
 0.6 A max., including heater.

Power Consumption: 12.0 W nominal;
 17.4 W max., including heater.

Heat Equivalent: 0.7 btu/min (0.17 kg-cal/min) nominal;
 1.0 btu/min (0.25 kg-cal/min) max., including heater.
 Note: These figures represent the conversion of 100% of the electrical energy to heat. Actual percentage of the heat generated will be less and will vary from product to product. These figures are provided as an aid in determining the extent of cooling required for an installation.

Connectors: **Coaxial/UTP**
 Power: 3-pin terminal block.
 Video: BNC or UTP terminal.
 Heater: 2-pin connector.

Video Output Impedance: 75 ohms.

Scanning System: NTSC: 525 lines, 60 fields/sec.
 PAL: 625 lines, 50 fields/sec.

Radio Frequency Emission Rating: FCC Class A.

Camera/Lens Specifications: Refer to Table 2.

Maximum Power Distances:

Wire Size (AWG) Annealed Copper Wire	Maximum Distance: ft (m)
20	500 (152)
18	781 (238)
16	1250 (381)
14	2000 (610)
12	3125 (953)

**Note:
 Nominal power and current levels are calculated @ 24.0 VAC input line voltage.
 Maximum power and current levels are calculated @ 29.0 VAC input line voltage.*

OPERATIONAL

Tilt and Horizontal Adjustment: 4-axis adjustment: pan, tilt, vertical height of camera/lens and roll (lens may be rotated on its axis 360°).

MECHANICAL

Application: Indoor/Outdoor.

Mounting: In-ceiling, 4x4 electrical box/bracket.

Dimensions: Height (H1): 4.1 in. (104 mm), above ceiling; (H2) 3.4 in. (86 mm), below ceiling.
 Total Diameter (D1): 6.44 in. (164 mm).
 Dome Diameter (D2): 4.73 in. (120 mm).
 Total width of electrical box: (W): 4.75 in. (121 mm).
 Height of electrical box: 2.2 in. (56 mm).

Weight: Approximately 2.25 lb (1.02 kg).

Construction: Cast aluminum and steel.
 Dome: injection-molded polycarbonate.

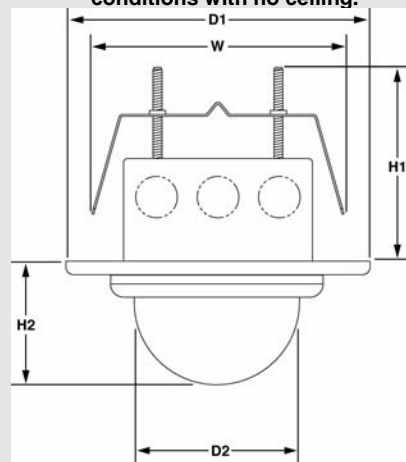
Finish: Painted light beige.
 Dome: smoked.

Shipping Dimensions: Height: 9.25 in. (235 mm).
 Width: 9.25 in. (235 mm).
 Depth: 10.375 in. (264 mm).

Shipping Weight: Approximately 5 lb (2.3 kg).

Shipping Volume: 0.5 ft³ (0.014 m³).

Note: These dimensions represent best case mounting conditions with no ceiling.



Technical Information

ENVIRONMENTAL

Operating Temperature Range: -4 to 122° F (-20 to 50° C).

Operating Humidity Range: Up to 95% relative, noncondensing.

Storage Temperature Range: -40 to 150° F (-40 to 65° C) maximum.

Storage Humidity Range: Up to 95% relative, noncondensing

Model	V926-W3312/-C/ V926-W3312/-C/	V926-W3312DN/-C V926A-DN/-C	V926A-CA/-C V926AT-CA/-C
Camera			
Image Device	1/3-inch ExView CCD 2:1 interlace, NTSC/PAL	1/4-inch CCD 2:1 interlace, NTSC/PAL	1/3-inch ExView CCD 2:1 interlace, NTSC/PAL
Color/Monochrome	Color	Color	Color
Resolution (TV lines)	550	Color: 550 Mono: 580	550
Sensitivity fc (lux)	0.07 (0.8) at 40 IRE, f/1.6	Day: 0.07 (0.8) Night: 0.009 (0.1) at 40 IRE, f/1.4	0.07 (0.8) at 40 IRE, f/1.6
Synchronization	Internal/Line lock DIP switch selectable	Internal/Line lock DIP switch selectable	Internal/Line lock DIP switch selectable
Electronic Iris (sec)	NTSC: 1/60-1/100,000 PAL: 1/50-1/100,000	NTSC: 1/60-1/100,000 PAL: 1/50-1/100,000	NTSC: 1/60-1/100,000 PAL: 1/50-1/100,000
BLC	ON/OFF DIP switch selectable	ON/OFF DIP switch selectable	ON/OFF DIP switch selectable
AGC	ON/OFF DIP switch selectable	ON/OFF DIP switch selectable	ON/OFF DIP switch selectable
Signal-to-Noise Ratio	>48 dB (AGC off)	>48 dB (AGC off)	>48 dB (AGC off)
Lens			
Focal Length (mm)	3.3-12 varifocal with autoiris	3.3-12/2.6-6 varifocal with autoiris	2.6-6 varifocal with autoiris
Field-of View (degrees)	Horiz: 83.9-23.91 Vert: 61.9-17.93	Horiz: 61.9-17.93 Vertical: 44.5-13.6/ Horiz: 82.05°-38.26° Vert: 60.32°-28.66°	Horizontal: 106° -47.6° Vertical: 78.2° -35.8°

Table 2: Camera/Lens Specifications



89 Arkay Drive
Hauppauge, NY 11788
www.vicon-cctv.com

TEL: 631-952-2288
FAX: 631-951-2288
TOLL FREE: 800-645-9116