



## PRODUCT SPECIFICATION

MODEL: V7FCD

PRODUCT CODE: 5307

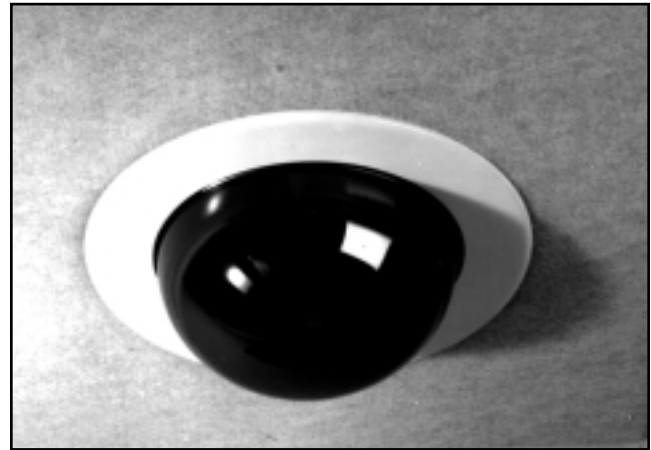
DESCRIPTION: FIXED CEILING OMNISCAN

- Designed for discreet surveillance
- Accommodates small monochrome and color cameras
- Easy installation
- For standard drop ceilings

The V7FCD Omniscan is a fixed-position ceiling dome designed for installations where discreet surveillance is necessary. Created for minimum protrusion below ceiling level, the V7FCD installs easily in standard drop ceilings and accommodates the new generation of small monochrome and color solid-state cameras.

The interior of the dome is painted flat black, except for a narrow viewing window, which effectively conceals the camera and lens. The dome is easily removed to simplify installation and service.

NOTES	SPEC NO.	REV.	SEC.
	851	200	1



V7FCD FIXED-POSITION OMNISCAN

### ASSOCIATED EQUIPMENT AND ACCESSORIES

**Model V3380MR Mounting Rail Kit:** For installations where additional support is required. Product code 0260.

**Model V7FCP Ceiling Panel:** For mounting the V7FCD in conventional drop ceilings with 2 × 2 ft ceiling panel. Product code 5731.

## CONTRACTORS' SPECIFICATION

### Indoor Fixed-Position Domed Camera Housing

The enclosure shall be a domed camera housing for fixed-position camera mounting, intended for indoor use and having a load rating of 15 lb (6.8 kg). Maximum horizontal adjustment shall be 350°, and maximum tilt adjustment shall be from -15° to -90°.

The unit weight shall not exceed 6.7 lb (3.0 kg) for the upper housing and 0.23 lb (0.1 kg) for the dome. Housing construction shall be of steel. The upper housing width shall be 11.0 in. (27.9 cm). The dome diameter shall be 7.25 in. (18.4 cm). The lower dome shall be constructed of distortion-free acrylic and shall also serve to conceal the internal system. Light loss through the dome shall not exceed 1 f-stop.

The unit shall be able to be mounted into any standard ceiling structure. It shall accommodate camera/lens combinations with a maximum length of 9.5 in. (24 cm), a maximum width of 4.2 in. (11 cm) and a maximum height of 3.0 in. (7.6 cm). A mounting rail option and a ceiling panel option shall be available.

The domed camera housing shall be Vicon's model V7FCD.

Product specifications subject to change without notice.  
Copyright © 2000 Vicon Industries Inc. All rights reserved.

Vicon part number 8006-7851-00-00  
Vicon and its logo are registered trademarks of Vicon Industries Inc.

# TECHNICAL INFORMATION

## OPTICAL

**Light Loss through Dome:** One f-stop.

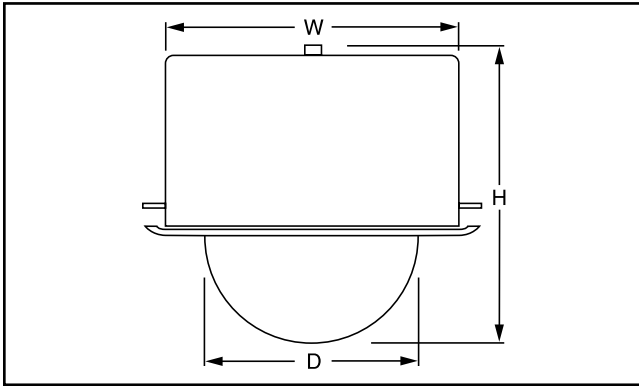
## OPERATIONAL

**Angular Adjustments:** Horizontal: 350°. Vertical: 15° to 90° down.

**Load Rating:** 15 lb (6.8 kg).

## MECHANICAL

**Dimensions:** Height (H): 10.5 in. (26.7 cm). Width (W): 11.0 in. (27.9 cm). Diameter (D): 7.25 in. (18.4 cm).



**Maximum Camera/Lens Dimensions:** Height: 3.0 in. (7.6 cm). Width: 4.2 in. (11 cm). Length: 9.5 in. (24 cm).

**Weight:** Housing: 6.7 lb (3.0 kg). Dome: 0.23 lb (0.1 kg).

**Construction:** Upper housing: steel. Lower dome: gray tinted (smoked) acrylic.

**Shipping Dimensions:** Housing  
Height: 13.5 in. (34.3 cm).  
Width: 15.0 in. (38.1 cm).  
Length: 15.0 in. (38.1 cm).  
Dome  
Height: 5.5 in. (14.0 cm).  
Width: 12.25 in. (31.1 cm).  
Length: 12.1 in. (30.7 cm)

**Shipping Weight:** Housing: 9.4 lb (4.3 kg). Dome: 1.1 lb (0.5 kg).

**Shipping Volume:** Housing: 1.75 ft<sup>3</sup> (0.05 m<sup>3</sup>). Dome: 0.5 ft<sup>3</sup> (0.01 m<sup>3</sup>).

## ENVIRONMENTAL

**Storage Temperature Range:** -40 to 150° F (-40 to 65° C).

**Storage Humidity:** Up to 90% relative, noncondensing.