



PRODUCT SPECIFICATION

MODEL: V1600WM

PRODUCT CODE: 2241

DESCRIPTION: MEDIUM-DUTY WALL MOUNT

The V1600WM Medium-Duty Outdoor Wall Mount is designed to support camera stations weighing up to a total of 40 pounds (18 kg), including pan and tilt or scanner, camera/lens system, and housing. Constructed of die-cast aluminum alloy with a gray semigloss enamel finish, the V1600WM is suitable for outdoor applications. This Designer model wall mount accepts a variety of pan-and-tilt drives and scanners and an optional head that allows 360-degree rotation and ±60-degree tilt. (See Associated Equipment and Accessories, below.)

TECHNICAL INFORMATION

MECHANICAL

- Mounting: Wall.
- Type: Fixed. (Adjustable with use of V1600AH Adjustable Head.)
- Load Rating: 40 lb (18 kg).
- Application: Outdoor
- Construction: Die-cast aluminum alloy.
- Finish: Gray semigloss enamel.
- Dimensions: See Figure 1.
- Weight: 3.0 lb (1.4 kg).
- Shipping Dimensions: Height; 6 in. (15.2 cm).
Width; 6.4 in. (16.2 cm).
Length; 17.4 in. (44.2 cm)
- Shipping Weight: 3.6 lb (1.6 kg).
- Shipping Volume: 0.4 ft (0.01m).

NOTES	SPEC NO.	REV.	SEC.
SUPERSEDES PRODUCT SPECIFICATION 314-786	457	1188	7



V1600WM WALL MOUNT WITH V1600AH ADJUSTABLE HEAD

ASSOCIATED EQUIPMENT AND ACCESSORIES

Model V20A Pole Mounting Adapter: Accommodates pole diameters from 4 to 10 inches. Product Specification 532.

Model V1600AH Adjustable Head: For use with the V1600WM Wall mount. Product specification 515.

Model V3400APT Pan-and-tilt Drive: Light-duty weather-proof pan and tilt with autopan designed for use with the V1600WM Wall Mount. Product Specification 435.

Model V3000APT Pan-and Tilt Drive: Light-duty indoor pan and tilt with autopan designed to fit the V1600WM Wall Mount. Product Specification 323.

Models V3200AP, V3200-24AP, V3210AP, V3210-24AP Scanners: Series of light- and medium- duty scanners designed to be mounted on the V1600WM Wall Mount. Product Specification 328.

Product specifications subject to change without notice.
Copyright © 1999 Vicon Industries Inc. All rights reserved.

Vicon part number 8006-7457-00-00
Vicon and its logo are registered trademarks of Vicon Industries Inc.

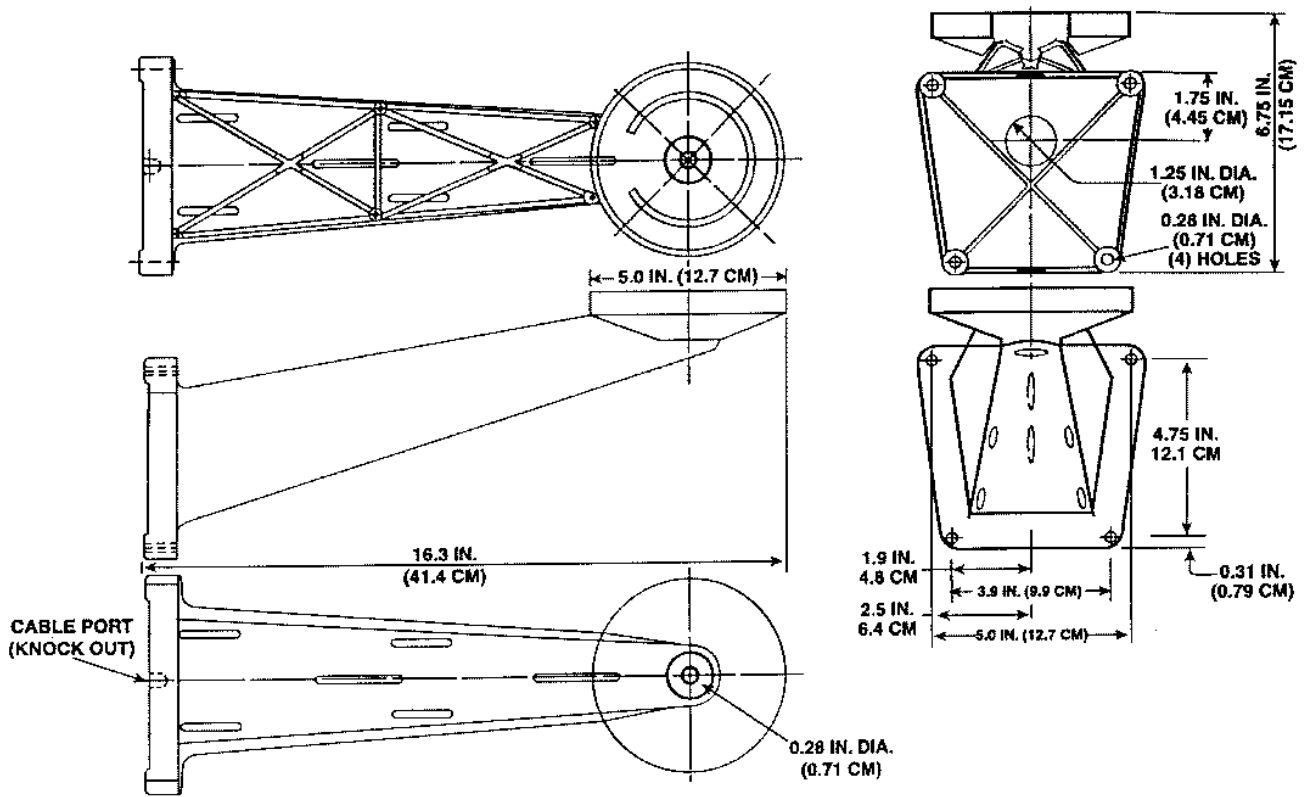


Figure 1
V1600WM Outline Drawing