



CMTC1743 / CMTC1943 CCTV LED Monitor (960H)

43 cm (17") / 48cm (19")



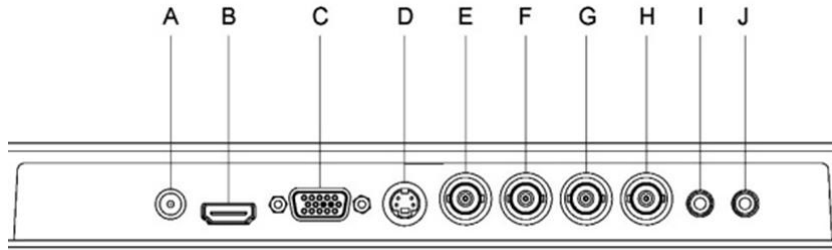
The new monitor range CMTC1743 (17") and CMTC1943 (19") are high-resolution TFT-LED monitors. They have a significantly lower power consumption and are specifically designed for CCTV applications. These monitors are ideally suited for use with digital video recorders, PC systems or direct connection to analogue cameras.

These slimmer monitors are suitable for around the clock monitoring and have very high contrast levels and brightness combined with a large viewing angle resulting in a clear and comfortable viewing.

These monitors also have two analogue CVBS video inputs (BNC) with loop-through outputs and support analog video-resolution up to 700 TVL based on latest 960H Technology. Both monitors are equipped with an anti-glare plastic front screen that makes the design more robust against dust and shock.

The monitor is further equipped with an audio input and includes integrated loudspeakers.

- SXGA (1280x1024) screen resolution with high contrast ratio 1000:1
- Super High Resolution of 700 TVL (960H)
- LED backlight technology for a lower power consumption
- HDMI and VGA inputs for DVR/NVR and PC connections
- Optimized for CCTV and designed for 24/7 use
- 2 BNC (CVBS) inputs/outputs equipped with a 3D comb filter and De-interlacing motion offering optimal, crisp and clear picture reproduction anytime
- Plastic casing and anti-glare front screen for professional security applications
- Convenient operation via OSD menu in 8 languages
- Built in Speakers
- Vesa™ 100 Mount



Legend

- | | | | |
|---|----------------------------|---|---|
| A | 12 V DC input | G | Video 1 (AV1) input [BNC] |
| B | HDMI input | H | Video 1 (AV1) output [BNC] |
| C | VGA input [15Pin D-SUB] | I | PC Audio Stereo input [3.5mm jack stereo] |
| D | S-VIDEO input | J | Audio output (speaker) [3.5mm jack] |
| E | Video 2 (AV2) input [BNC] | | |
| F | Video 2 (AV2) output [BNC] | | |

Functionalities

■ **3D Digital Comb filter**

The 3D Digital Comb filter is the best type of comb filter available today. It provides the greatest possible video quality by separating the luminance and chrominance signal components, comparing three consecutive horizontal scan lines and pre-analysing each frame in advance.

■ **De-interlacing**

De-interlacing is the process of converting interlaced video (a sequence of fields Odd/Even) into a non-interlaced form (a sequence of frames) for better viewing especially for fast moving video.

■ **Screen Burn-in protection**

This function reduces the screen burn-in effect while the monitor is displaying still images by having a black shift line run periodically from top to bottom the screen.

■ **Brightness**

This value measures the difference between the minimum and maximum brightness when looking at a white image (in percentage terms). It is given in "candela per square meter".

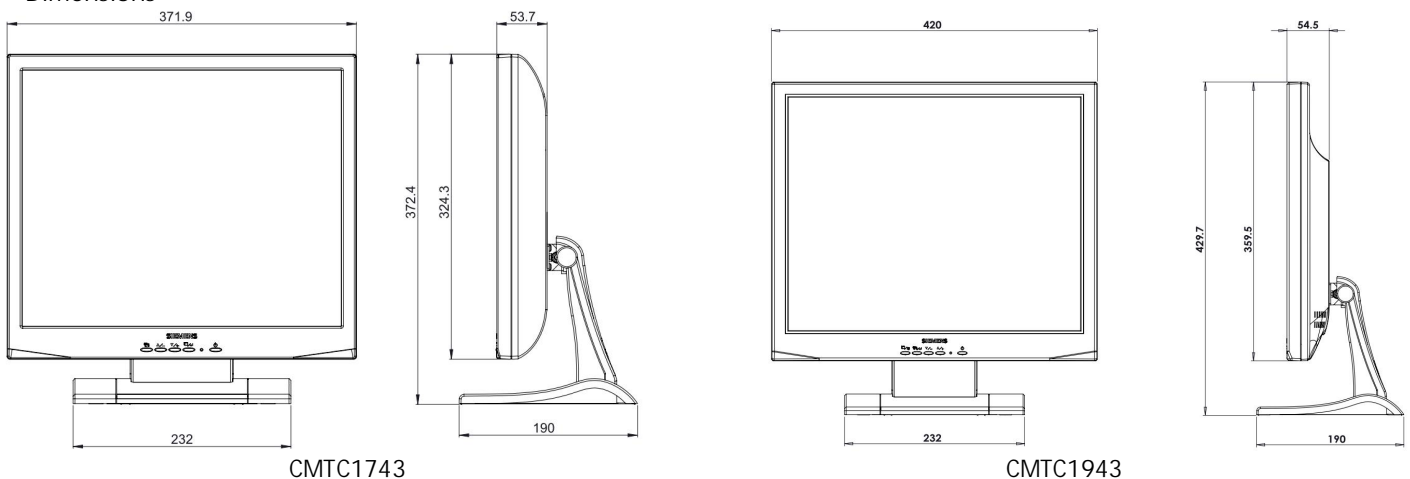
■ **LED backlight**

LED is the latest backlit technology for TFT panels, offering a saving of power consumption whilst providing a comfortable backlit display.

■ **Contrast ratio**

The contrast ratio is a measure of the brightness range provided by a display system, defined as the ratio of the luminance of the brightest colour (white) to that of the darkest colour (black) that the system is capable of producing.

■ **Dimensions**



■ Technical data

	CMTC1743	CMTC1943
Panel type	TFT-LCD colour panel with LED backlight (Active-Matrix)	
Screen size	43 cm (17")	48 cm (19")
Aspect ratio	4:3	
Viewing area (H x V)	337.90 x 270.30 mm	376.30 x 301.10 mm
Pixel pitch (H x V)	0.264 x 0.264 mm	0.294 x 0.294 mm
Viewing angle (H / V)	170° / 160°	
Contrast ratio	1000:1	
Brightness	250 cd/m ²	
Native Resolution (H x V)	1280 x 1024 pixels (@ 60/75 Hz)	
Display Colours	16.7M	
Response time	5 ms	
Video Resolution (AV1 & AV2)	700 TVL (960H compliance)	
Video System (Sync. Format)	NTSC / PAL (Auto-Sensing)	
Filter type	3D comb filter, 3D video De-Interlace	
Scanning frequency	31 ~ 80 kHz (H); 56 ~ 75 Hz (V)	
Supported Resolutions (H v V)	640×350/85Hz, 640×400/85Hz, 640×480/60/72/75Hz, 720×400/70/85Hz, 800×600/56/60/72/75HZ, 1024×768/60/70/75Hz, 1280×1024/60/75Hz	
Input Interfaces	VIDEO: - VGA and HDMI - 2x BNC (CVBS 1Vp-p, 75ohms terminated) - 1x S-VIDEO AUDIO: 1x PC Audio Input	
Output Interfaces	VIDEO: - 2 x BNC looped through Output (CVBS 1Vp-p, 75ohms terminated) AUDIO: - Built in speakers: 2x1 W (Stereo) - Audio output (external speaker)	
Features supported	DNR (Digital Noise Reduction), Monitor Key lock, Green Mode, DDC2B (Plug&Play), VESA DPMS compatible (for power management)	
Languages (OSD)	English, French, German, Italian, Spanish, Portuguese, Dutch, Czech	
Power requirement (power pack)	100~240 V AC, 50/60 Hz	
Power requirement (monitor)	12 V DC, 2.4 A	12 V DC, 2.5 A
Power consumption	25 W	27 W
Material	Plastic	
Dimensions (W x H x D)	371.9 x 372.4 x 190 mm (with base) 371.9 x 324.3 x 53.7 mm (without base)	420 x 429.7 x 190 mm (with base) 420 x 359.5 x 54.5 mm (without base)
Package dimensions (W x H x D)	446 x 473 x 186 mm	
Weight	Net weight: 4.05 kg; Gross weight: 5.77 kg	Net weight: 4.59 kg; Gross weight: 6.45 kg
Environmental operating temperature	0 ~ 40 °C	
Storage temperature	-10 ~ +60 °C	
Relative humidity	Max. 85 %, no condensation	
Mounting	VESA™ 100 (100mm x 100mm)	
Approval	CE	

■ Details for ordering

Type	Part number	Designation	Weight*
CMTC1743	S54573-C103-A100	17"(43cm) LED CCTV Monitor 4:3	5.77 kg
CMTC1943	S54573-C104-A100	19"(48cm) LED CCTV Monitor 4:3	6.45 kg

* Device incl. packing material, accessories that are included in the delivery, and documentation

Further products and accessories can be found in the Internet: siemens.com/securityproducts.

The information in this document contains general descriptions of technical options available, which do not always have to be present in individual cases. The required features should therefore be specified in each individual case at the time of closing the contract.

© Siemens AB • Document no. C-300135 • Edition: 01.2014 •