



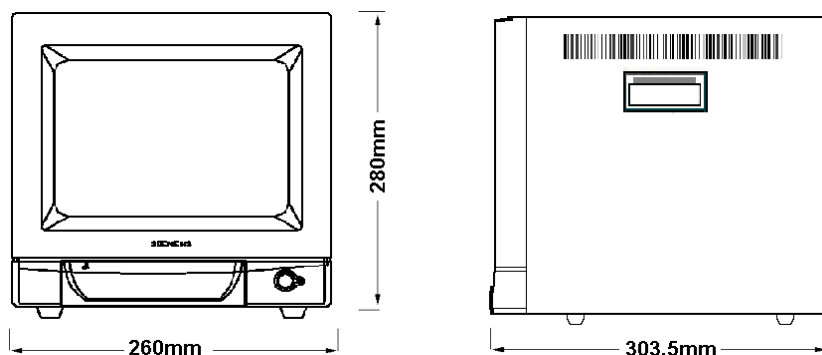
10" (25 cm) Colour Video Monitor

CMCC1020

- A range that meets requirements of middle and standard applications
- NTSC / PAL auto-sensing
- CE & UL Approval
- Sturdy metal case
- Easy carry handles

The Siemens CMCC1020 colour video monitor is well suited to CCTV surveillance tasks where a cost effective solution is needed and good picture quality and monitor reliability are very important. Designed to fit in with the Siemens Corporate Product range the unit has the same design features as the other monitors in this range and will provide a professional finish to installations. The controls situated on the front panel are simple to operate. There is one BNC video input connector and one BNC video output connector on the rear panel of the unit. A termination switch on the rear panel will allow installers to correctly set the input impedance.

Dimension drawings



Technical data

Specifications

TV Standard	PAL / NTSC (automatic scanning)
Cathode Ray Tube	Visible approx. 10" or 25 cm
Horizontal resolution	≥ 300 lines
H/V frequency	15.625 kHz/50 Hz (PAL) or 15.750 kHz/60 Hz (NTSC)
Video input signal	1 Vp-p
Video input	One (looping BNC)
Video termination	High impedance or 75 Ohm termination switches on rear panel
Audio input	One (looping RCA)
Y/C input	One (looping Din 4 Pin)
Power Switch	On/Off push button
Contrast control	Rotary potentiometer
Brightness control	Rotary potentiometer
Colour control	Rotary potentiometer
Sharpness control	Rotary potentiometer
Volume control	Rotary potentiometer
Tint control	Rotary potentiometer (NTSC only)
Linearity	H: 10 % V: 10 %
Temperature range	Operation 0 – 50 °C
Humidity range	Operation 10 – 85 %
Case material	Steel
Unit dimensions	260 x 280 x 303.5 mm (10.2" x 11.3" x 12")

Electrical

Input voltage	100 – 240 VAC, 60 – 50 Hz
Power consumption	50 W

Approvals

UL Approval	UL60950
FCC Approval	FCC part 15, Subpart B
CE Approval	EN 55022:1998, EN 61000-3-2:2000

Details for ordering

Type	Part no.	Designation	Weight
CMCC1020	2GF3131-8AA	Colour video monitor 10" / 25 cm 100 – 240 VAC, 60 – 50 Hz	7.8 kg