



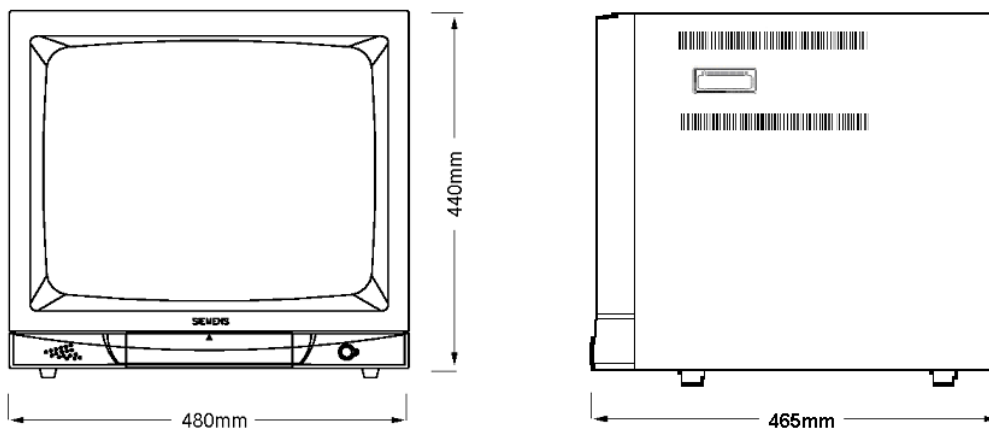
20" (51 cm) Monochrome Monitor

CMCB2020

- A range that meets requirements of middle and standard applications
- CCIR / EIA auto-sensing
- CE & UL Approval
- Sturdy metal case
- Easy carry handles

The Siemens CMCB2020 monochrome video monitor is well suited to CCTV surveillance tasks where a cost effective solution is needed and good picture quality and monitor reliability are very important. Designed to fit in with the Siemens Corporate Product range the unit has the same design features as the other monitors in this range and will provide a professional finish to installations. The controls situated on the front panel are simple to operate. There are two BNC video input connectors and two BNC video output connectors on the rear panel of the unit. Termination switches on the rear panel will allow installers to correctly set the input impedances.

Dimension drawings



Technical data

Specifications

TV Standard	CCIR / EIA
Cathode Ray Tube	Visible approx. 20" or 51 cm
Horizontal resolution	≥ 1000 lines
H/V frequency	15.625 kHz/50 Hz (CCIR) or 15.750 kHz/60 Hz (EIA)
Video input signal	1 Vp-p
Video inputs	Two
Video termination	High impedance or 75 Ohm termination switch on rear panel
Audio input	Two
Power Switch	On/Off push button
Contrast control	Rotary potentiometer
Brightness control	Rotary potentiometer
Horizontal hold	Rotary potentiometer
Vertical hold	Rotary potentiometer
Linearity	H: 10 % V: 10 %
Temperature range	Operation 0 – 50 °C
Humidity range	Operation 10 – 85 %
Case material	Steel

Dimensions

Unit dimensions	480 x 440 x 465 mm (18.9" x 17.3" x 18.5")
-----------------	--

Electrical

Input voltage	100 – 240 VAC, 50 – 60 Hz
Power consumption	45 W

Approvals

UL Approval	UL60950
FCC Approval	FCC part 15, Subpart B
CE Approval	EN 55022:1998, EN 61000-3-2:2000

Details for ordering

Type	Part no.	Designation	Weight
CMCB2020	2GF3035-8AA	Monochrome monitor 20" / 51cm 100 – 240 VAC, 50 – 60 Hz	19.0 kg