



CIL0050-30

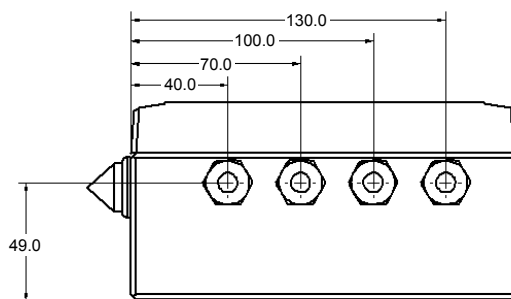
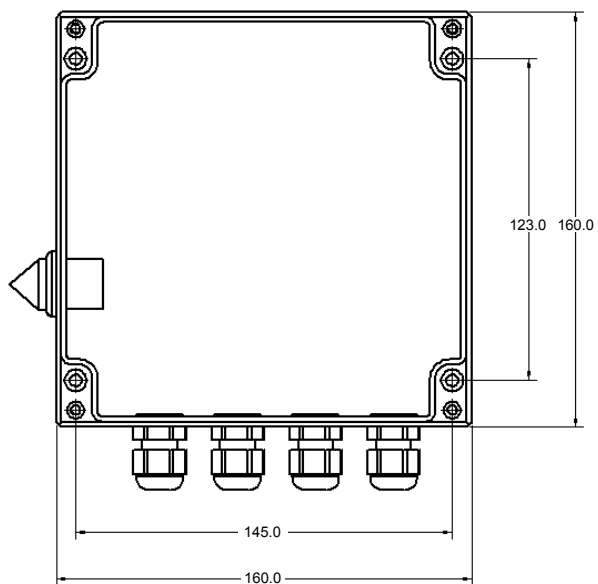
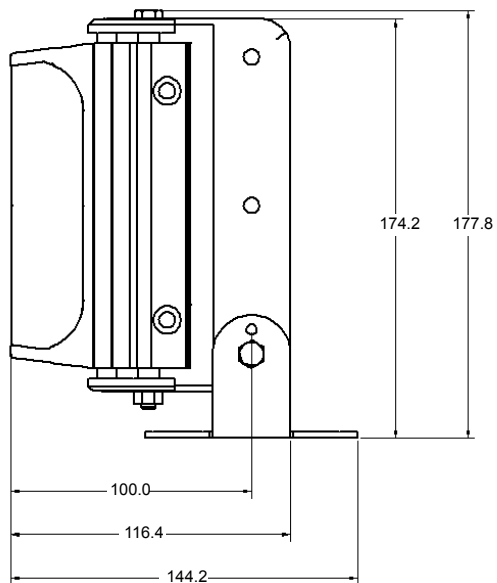
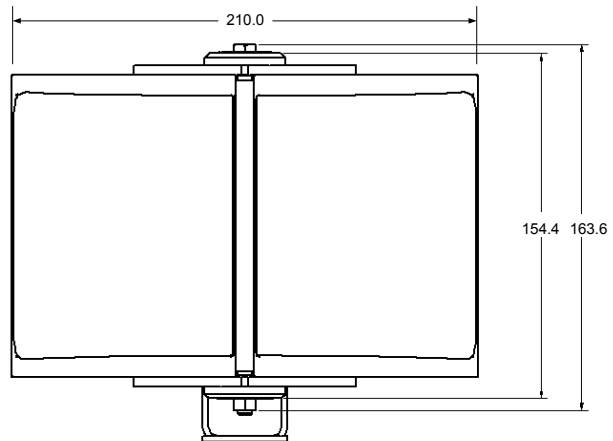
IR Illuminator

- Latest High Performance Infra-Red LED
- Spectral Emission: 850 nm
- Adaptive Illumination™ 30-60°
- Active LED Life Control
- Separate power supply unit supplied
- Max. range 100 m

The infrared LED lamp CIL0050-30 offers superior performance, is made to last and requires no maintenance. They incorporate the very latest surface mount LEDs to deliver excellent night-time pictures with improved optical output and outstanding reliability. The unique Adaptive Illumination™ concept provides the flexibility to alter the angle of illumination on site to suit specific security needs and to match the camera's field of view. Each unit is fitted with Active LED Life Control to carefully control the LED output, delivering consistent illumination power and a projected working life span of 10 years.

The CIL0050-30 is supplied with bracket and power supply. The output power of the power supply cable can be adjusted and is outfitted with a photoelectric switch, telemetry input for external control and 12 V DC output for surveillance camera connection.

Dimensions



All dimensions are in mm.

Technical data

Power requirements	PSU: 100 – 230 V AC
Power consumption	PSU: 50 W (on max. power)
Fuse	T 2.5 A
Output power	PSU: 2.4 A at 13.5 V
Photoelectric switch relay output	Max. 120 V AC / 24 V DC, 1 A
Telemetry input	Control input (no-voltage input, floating contact)
Camera voltage output	12 V DC / 1 A
Adjustable IR power	10 – 100 %
Angle of light source	30 – 60°
Range	Max. 100 m
Spectral emission	850 nm, Class 1 LED to EN 60825-1
Weight	PSU: 1.65 kg Illuminator: 2.50 kg
Relative humidity	Approx. 80 %
Ambient temperature, operation	-20 to +50 °C
Ambient temperature, storage	-30 to +60 °C
Dimensions (L x W x D)	PSU: 160 x 160 x 81 mm Illuminator: 210 x 150 x 63 mm
Protection rating	IP66, IK10 (IR illuminators)
Approvals	CE, C-Tick
MTBF	70.000 h
Cable glands	4 x M16 (min. 4.5 mm, max. 10 mm cable dia.)

Details for ordering

Type	Item No.	Description	Weight
CIL0050-30	S54561-C801-A1	IR Illuminator LED 30 – 60°	2.50 kg
CAIL0050-PA	S54561-B851-A1	PSU adapter for pole mount	1.65 kg
CHBS2310	2GF1705-8LE	Aluminum wall mount with integral swivel-tilt joint	0.50 kg
CHBA0211	2GF1705-8LH	Pole adapter for CHBS2310 mounts	1.00 kg

Issued by
Siemens Building Technologies
Fire & Security Products GmbH & Co. oHG
Siemensallee 84
76187 Karlsruhe, Germany
Tel. +49 721 595 1
www.buildingtechnologies.siemens.com

© 2009 Copyright by
Siemens Building Technologies
Data and design subject to change without notice.
Supply subject to availability.
Printed in the Federal Republic of Germany
on environment-friendly chlorine-free paper.