

# Indoor & Outdoor Motorized Lens Dome Camera

960H Premium Resolution Camera



## OVERVIEW

The TruVision® 960H Premium Resolution Indoor and Outdoor Motorized Lens Dome Camera offers high-resolution video and multiple features that make it well suited to a variety of applications. Utilizing the latest CCD and DSP technologies, the camera delivers 960H (700TVL) resolution and 0.01 lux sensitivity for outstanding performance. The camera provides a defog feature which will improve video images in poor weather conditions such as smog, fog or smoke. Smart 3DNR technology will improve images in low light scenarios.

The motorized varifocal lens with IR cut filter provides true day/night surveillance which makes the TruVision dome camera ideal for both indoor and outdoor applications. Its IP66 vandal-resistant enclosure, integrated heater, and IK-10 rating offer additional durability and reliable value.

## STANDARD FEATURES

- 960H (700TVL) resolution
- True day/night
- Supports defog, motion detection, privacy masks, smart zoom and digital image stabilization
- DWDR (Digital Wide Dynamic Range)
- Smart 3DNR for enhanced video images, especially in low light conditions
- Motorized varifocal lens: 2.8 to 11 mm @ f1.4
- OSD menus for easy camera configuration onsite
- 3-axis gimbal bracket
- IP66 rating and onboard heater for weather-resistant performance
- Vandal-resistant, rugged enclosure
- 12VDC or 24VAC power input
- Adapter plate included for electrical gang boxes
- IK-10 protection rating
- Optional TruVision Coaxial Controller for remote focus and zoom adjustment

# Indoor & Outdoor Motorized Lens Dome Camera

960H Premium Resolution Camera

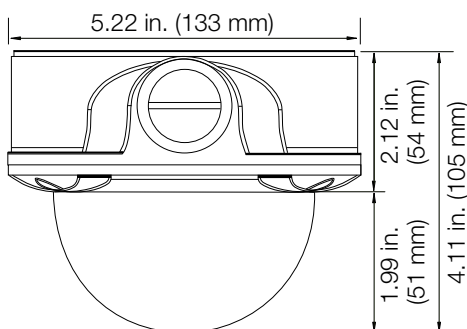
North America  
T 855-286-8889

Latin America  
T 561-998-6114

## Specifications

Model	TVD-4101 / TVD-2101	
Pickup Device	1/3" EXview HAD II	
Total Pixels (H x V)	NTSC: 1028(H) x 508(V) PAL: 1028(H) x 596(V)	
Effective Pixels	NTSC: 976(H) x 494(V) PAL: 976(H) x 582(V)	
Resolution	700TVL	
Synchronization System	Internal synchronization	
IR Cut Filter	yes	
Scanning System	2:1 Interlace	
S/N ratio	>48dB (AGC off)	
Electronic Shutter	NTSC: 1/60 to 1/100,000 second PAL: 1/50 to 1/100,000 second	
Min. Illumination	0.1 lux (f1.2, AGC x1)	
WDR	DWDR	
DNR	Smart 3DNR	
Video Output	1.0 Vp-p / 75 ohm composite	
White Balance	ATW /AWB/AWC-SET/MANUAL	
Lens Type	2.8-11mm auto focus motorized lens	
Features Supported	Defog, motion detection, privacy masks, digital zoom, smart zoom, digital image stabilization, freeze, mirror	
OSD	OSD button & optional coaxial controller	
OSD Language	English, Chinese, German, French, Russian, Portuguese, Spanish	
Mechanical	3-Axis gimbal	
Protocol	RS-485	
Power Source	24VAC / 12VDC	
Current	24VAC / 220mA	Max: 408mA (Heater on)
	12VDC / 200mA	Max: 330mA (Heater on)
Power Consumption	24VAC / 2.2 W	Max: 8.4W (Heater on)
	12VDC / 2.4 W	Max: 3.96W (Heater on)
Operating Temperature	-22°F to 149°F (-30°C to 65°C) (Integrated heater for environments below -22°F/30°C)	
Operating Temperature (Cold Start)	14°F (-10°C)	
Storage Temperature	-22°F to 158°F (-30°C to 70°C)	
Dimension	5.22 x 4.11 in. (133 x 105 mm)	
Weight	2.49 lb. (1130 g)	
Ratings	IP66, IK-10	

## Dimensional Diagram



## Ordering Information

<b>TVD-4101</b>	TruVision® Outdoor Dome, NTSC, 700TVL, 2.8-11mm VF Motorized Lens, Auto Iris, True D/N, DWDR, Heater, IP66, IK-10, 12VDC/24VAC
<b>TVD-2101</b>	TruVision Outdoor Dome, PAL, 700TVL, 2.8-11mm VF Motorized Lens, Auto Iris, True D/N, DWDR, Heater, IP66, IK-10, 12VDC/24VAC

## Accessories

<b>TVS-C100</b>	Coaxial Controller
<b>TVD-SNB</b>	TruVision Dome Swan Neck Bracket (use w/TVD-CB3, TVD-CB2)
<b>TVD-PPB</b>	TruVision Dome Pendant-Mount Bracket (use w/TVD-CB3, TVD-CB2)
<b>TVD-CB3</b>	TruVision Dome 3" Cup Base (use w/UVD and TVD-6 Series Analog Domes, Indoor TVD-IP; TVD-SNB; TVD-PPB)
<b>TVD-M-PMA</b>	TruVision Pole Mount Adapter (use w/TVD-SNB or TVC-IP Bullet Cameras)
<b>TVD-M2-FM</b>	TruVision Indoor Flush Mount (use w/Open Standard Series Indoor TVD-IP Domes)
<b>TVD-M-CMA</b>	TruVision Corner Mount Adaptor for TVD-SNB (or TVC-IP Bullet Cameras)
<b>TVD-M2-PNDT</b>	TruVision Dome Pendant Mount (use w/TVD-CB3, TVD-CB2)



interlogix.com

Specifications subject to change without notice.

© 2013 United Technologies Corporation.

All rights reserved.

Interlogix is part of UTC Building & Industrial Systems, a unit of United Technologies Corporation.

311-3749 2013/12 (76543)