

Box Camera

High-res, 600 TVL Camera



OVERVIEW

The TruVision™ Box Camera delivers cost-effective surveillance with high-resolution video and multiple features for a variety of applications. Utilizing the latest CCD and DSP technologies, the camera offers 600TVL resolution and 0.01 lux sensitivity for outstanding performance.

Equipped with Digital Noise Reduction capabilities, the TruVision box camera provides excellent video quality even under variable and harsh light conditions. Its Adaptive Tone Reproduction (ATR) reveals details under wide dynamic range conditions, while Highlight Compensation (HLC) technology suppresses intense situations such as bright vehicle headlights.

Installation and operation is fast and simple with on-screen menus for easy adjustment of advanced features, including privacy zones, motion detection and camera titles. With impressive video quality and a full range of user-friendly features, the TruVision box camera provides a powerful surveillance option on a moderate budget.

STANDARD FEATURES

- 600 TVL resolution
- True day/night (removable IR cut filter) (TVC-6120 models)
- Adaptive Tone Reduction (ATR) provides superior video quality under wide dynamic light conditions
- Highlight Compensation (HLC) technology suppresses bright headlights
- Digital Noise Reduction (DNR) for enhanced security
- OSD menus for easy camera configuration
- Privacy zones and motion detection features

Box Camera

North America
T 855-286-8889

Asia
T 852-2907-8108

Australia
T 61-3-9239-1200

Europe
T 32-2-725-11-20

Latin America
T 561-998-6114

High-res, 600 TVL Camera

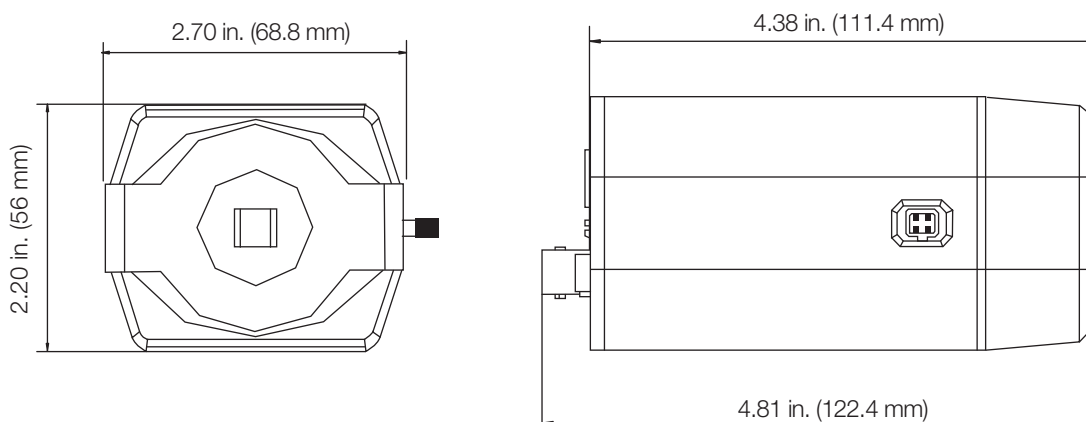
Specifications

Model	TVC-6110-1-N (-P)	TVC-6120-1-N (-P)
Pickup Device	1/3" Super HAD CCD II	
Total Pixels (H x V)	NTSC: 811 x 508 / PAL: 795 x 596	
Effective Pixels	NTSC: 768 x 494 / PAL: 752 x 582	
Resolution	600 TVL	
Synchronization System	Internal	Internal/Line lock
Scanning Mode	2:1 interlace	
IR Cut	NA	Yes
S/N Ratio	52 dB (AGC OFF)	
Electronic Shutter	PAL: 1/50 s to 1/10,000 s	
Minimum Illumination	NTSC: 1/60 s to 1/10,000 s	
Video Output	1 Vp-p composite output (75 Ω/BNC)	
White Balance	ATW/PUSH/USER1/USER2/ANTI CR/MANUAL/PUSH LOCK	
Lens Type	C/GS-DC	
Wide Dynamic Range	ATR	
Digital Noise Reduction	2DNR	
Highlight Compensation	HLC	
Motion Detection	Yes: 4 separate monitor areas	
Privacy Mask	Yes: 8 mask areas (4 when motion detection is ON)	
Power Supply	12 VDC	24 VAC / 12 VDC
Current	160 mA	330 mA
Power Consumption	Max. 2 W	Max. 4 W
Operating Temperature	-10 to +50°C (14 to 122°F)	
Weight	400 g (0.88 lbs)	

Ordering Information

TVC-6110V-1-N	TruVision Box Camera, 600 TVL, Digital D/N, BNC, 12 VDC, NTSC
TVC-6120V-1-N	TruVision Box Camera, 600 TVL, True D/N, BNC, 12 VDC/24 VAC, NTSC
TVC-6110V-1-P	TruVision Box Camera, 600 TVL, Digital D/N, BNC, 12 VDC, PAL
TVC-6120V-1-P	TruVision Box Camera, 600 TVL, True D/N, BNC, 12 VDC/24 VAC, PAL

Dimensional Diagrams



Specifications subject to change without notice.

© 2012 Interlogix. All rights reserved.

208-3551 2012/08 (71412B)



interlogix.com