

# Tokina

## MOTORIZED ZOOM LENS

**TM22Z1022N** f = 10-220mm F/2.2 3-MOTORS

**TM22Z1022NPN** f = 10-220mm F/2.2 3-MOTORS with Preset(Zoom/Focus)

### SPECIFICATIONS

MODEL No.	<b>TM22Z1022N / TM22Z1022NPN</b>	
IMAGE FORMAT	1/2"	
MOUNT	C-Mount	
FOCAL LENGTH	10 - 220mm	
APERTURE	F1 : 2.2	
APERTURE RANGE	F2.2 - Close	
ANGLE OF VIEW ( ) = 1/3"	DIAGONAL	W41.99° - T2.17° (W32.11° - T1.64°)
	HORIZONTAL	W34.14° - T1.74° (W25.90° - T1.31°)
	VERTICAL	W25.90° - T1.31° (W19.53° - T0.99°)
M. O. D.	1.8m	
BACK FOCAL LENGTH	11.0mm	
FILTER SIZE	M67mm P=0.75	
DIMENSIONS	W80.0 X H101.0 X L158.7mm	
WEIGHT	800g	
OPERATING TEMPERATURE	-10°C ~ +60°C	

IRIS/ZOOM/FOCUS Controls	IRIS	ZOOM	FOCUS
INPUT VOLTAGE	DC+6 ~ +12V	DC+6 ~ +12V	DC+6 ~ +12V
CURRENT CONSUMPTION	Max. 30mA	Max. 60mA	Max. 60mA
MOTORIZATION SPEED	Approx. 4.5 sec.	Approx. 4 sec.	Approx. 4 sec.

### CABLE CONNECTIONS

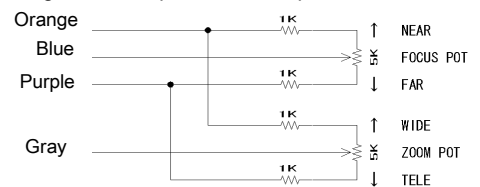
#### IRIS/ZOOM/FOCUS

FUNCTION	CABLE COLOR	POLARITY	DIRECTION
IRIS	YELLOW	+ (-)	Open (Close)
	BROWN	- (+)	
ZOOM	GREEN	+ (-)	Wide (Tele)
	WHITE	- (+)	
FOCUS	BLACK	+ (-)	Inf. (Near)
	RED	- (+)	

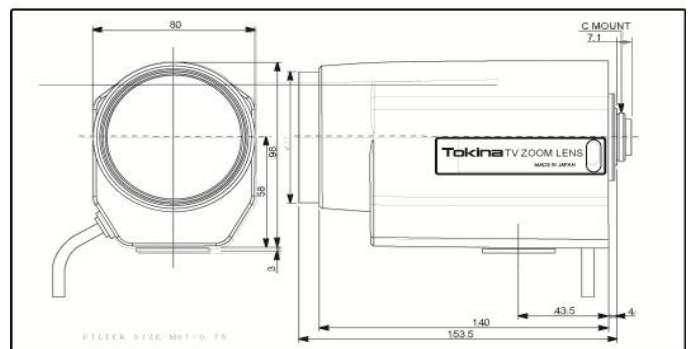
#### POTENTIOMETER-PRESET (TM22Z1022NPN Only)

CABLE COLOR	CONNECTION
ORANGE	Pot. Supply
BLUE	Focus Pot. Wiper
PURPLE	Pot. Return
GRAY	Zoom Pot. Wiper

#### Wiring details for potentiometer-preset



### APPERANCE



\*Design and specifications are subject to change without notice.