

Optical repeater for singlemode fibre

COR series optical repeaters are meant for systems requiring extreme fibre transmission distances. They provide an additional 20 dB link budget for 1310 nm or any ITU-T compliant CWDM wavelength.



COR repeaters are part of the extensive CFO OPX platform that complies to ITU G.694.2 CWDM grid. These non-regenerative repeaters provide a cost effective way to cover extreme transmission distances over optical fibre. Depending on system up to two or three repeater units can be connected in series to make a line in which each leg have a maximum of 20 dB link budget available.

The COR repeaters are configurable products meaning that the operational wavelength can be selected upon customer specification. A typical repeater configuration supports fully bi-directional operation but has also option to be defined for uni-directional operation as well.

The COR repeaters are optically com-

patible with all earlier generation digital CFO video modems (SMF 1310 nm and CWDM models).

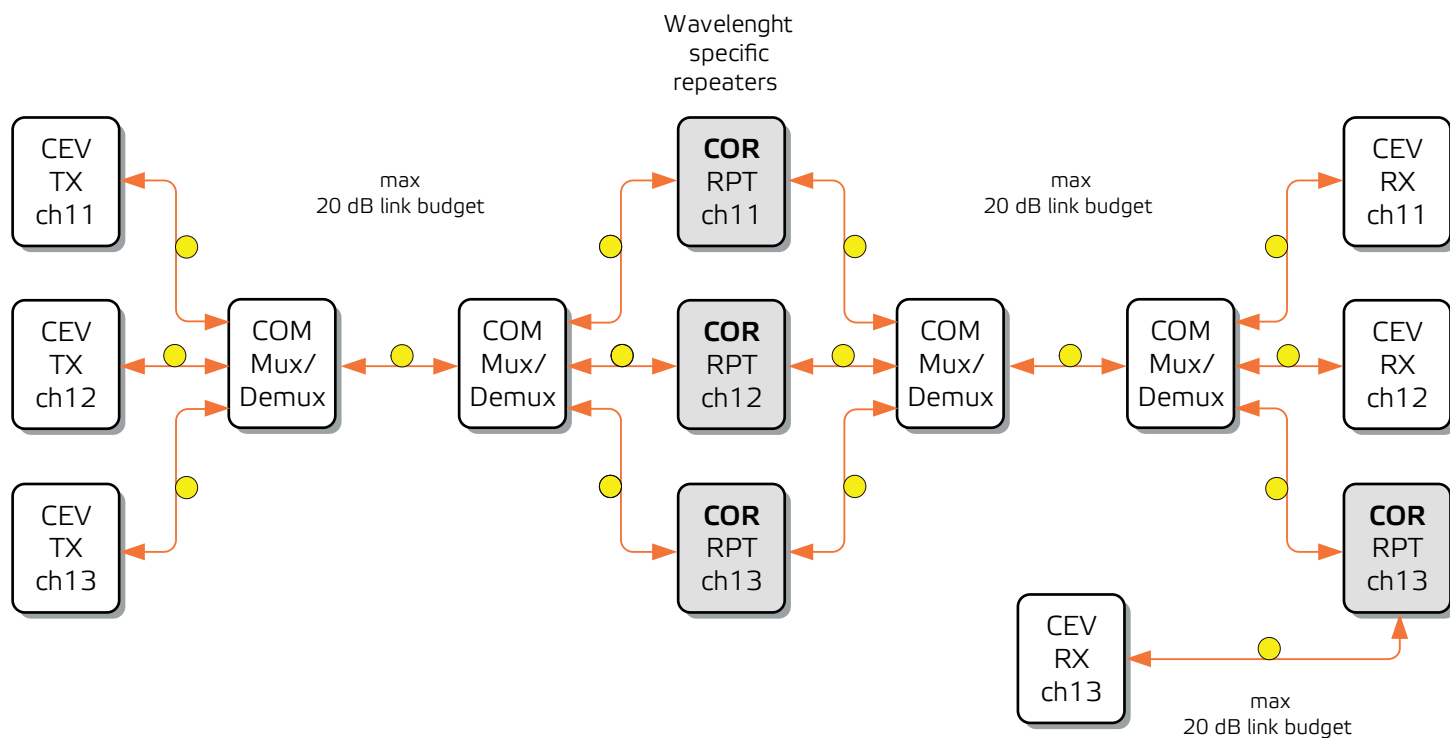
The COR series fits into all standard CFO installation systems allowing both rack or stand-alone adaptor type operation. The COR series is temperature hardened.

Features

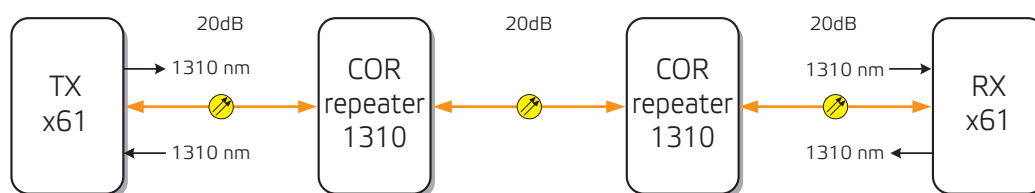
- Bi-directional operation in same wavelength
- Complies to ITU G.694.2 CWDM grid
- Basic 1310 nm support as well
- High performance
- Same units for rack mount or stand-alone
- Mechanically compact and ruggedised
- EMC and environmental conformance
- Compatible with all CFO installation systems
- Optically compatible with older generation CFO video modems (e.g. CFOx41 and CVM series)

Application examples

Multiwavelength CWDM system



Single wavelength point-to-point system



Technical specifications *(Typical values unless otherwise stated)*

Optical, forward path		General	
Received wavelength	1290...1330 and 1470...1610 nm	Supply voltage	12 V / 100 mA
Transmitted wavelength	* configurable, CWDM ch or 1310 nm	Power consumption (max)	1200 mW
Input level range	-5 dBm...-21 dBm	Dimensions (H x W x D)	3U ● 10HP ● 190 mm without CMA
Output power	-1 dBm	Weight	0.5 kg
Forward path link speed	622 Mbps to 2.0 Gbps	Operating temperature	-34...+74 °C
Optical connector type	SC/APC 8°	Storage temperature	-40...+85 °C
Optical, return path		Humidity	0...95 % non condensing
		EMC compatibility	EN61000-6-3, EN50130-4, CE
Received wavelength		Notes	
Transmitted wavelength		Class 1M Laser Product	
Input level range		* Factory set upon customer configuration, CWDM channels 11...18 or basic 1310 nm	
Output power			
Return path link speed			
Optical connector type			

Copyright © 2012 Teleste Corporation. All rights reserved. TELESTE is a registered trademark of Teleste Corporation.

P4P_COR v1 24/02/2012