

# TeleEye III+ Network CCTV Series

A Total Solution For Remote Monitoring & Digital Recording!

BROADBAND  
INTERNET

ADSL

ISDN PSTN



The revolutionary **TeleEye III+** Network CCTV Series (**TeleEye III+** Video Transmitters and **TeleEye III+** Video Recording Transmitters) is a **one-plug module** on LAN and the Internet for remote video monitoring and recording.

The powerful **TeleEye III+** product family works on **broadband** Internet economically and gives you exceptionally well real time video transmission at speed up to 25/30 fps. Its **"sureLINK"** technology allows low cost dynamic IP broadband Internet connection. Say goodbye to expensive static IP requirement!

Powered by its proprietary video compression and communication technologies, **TeleEye III+** Video Recording Transmitter provides **simultaneous** remote video monitoring, recording and playback. Users can keep track of live video and play back recorded video from any remote locations.

**TeleEye III+** Series is not only designed for connectivity but a total solution for video monitoring and recording!

Video Transmitter			Video Recording Transmitter						
MODEL	VT3-4CA	VT3-8CA	VT3-16CA	VR-4021	VR-4042	VR-8042	VR-8084	VR-16084	VR-16168
RECEPTION SOFTWARE	WRS3-AD, WRS3-M								
VIDEO									
STANDARD	(P): PAL/CCIR, 625 lines, 50 fields per second (N): NTSC/EIA, 525 lines, 60 fields per second 1.0Vp-p composite, colour / B/W								
INPUT	4x, BNC	8x, BNC	16x, BNC	4x, BNC	8x, BNC	16x, BNC			
RESOLUTION	640x480, 320x240, 160x120 pixels (for QUALITY mode) 512x384, 256x192, 128x96 pixels (for SPEED mode)								
TRANSMISSION RATE	up to 25/30fps on LAN; up to 20fps on PSTN								
WEB SERVER	Built-in Web Server								
COMMUNICATION									
LAN	RJ-45, 10/100 Base-T Ethernet (auto-sensing)								
CONCURRENT CONNECTION	6	10	18	6	10	18			
MODEM PORT	RS-232C, DB-9 male connector, asynchronous; 8 data bits, no parity, 1 stop bit, AT-command, 9.6k-115.2kbps								
AUX	RS-232C, DB-9 female connector, asynchronous; 8 data bits, no parity, 1 stop bit, 2.4k-19.2kbps								
RECORDING									
MODE	real-time, time-lapse, programmable, event-driven								
HD SIZE	-			20GBytes	40GBytes	40GBytes	80GBytes	80GBytes	160GBytes
MAX. RECORDING RATE*	-			12.5/15fps	25/30fps	25/30fps	50/60fps	50/60fps	100/120fps
PRE- & POST-ALARM RECORDING	YES	-	-	YES					
ALARM									
INPUT	4x, NC/NO	8x, NC/NO	16x, NC/NO	4x, NC/NO	8x, NC/NO	16x, NC/NO			
REMOTE CONTROL									
SWITCH	1 dry contact	-	2 dry contacts	4 dry contacts					
POWER									
VOLTAGE	12Vdc								
RATING (max)	12W			35W			48W		60W
ENVIRONMENT CONDITION									
OPERATING TEMP.	0°C - +50°C			5°C - +50°C					
OPERATING HUMIDITY	< 90% (no condensation)			< 85% (no condensation)					
MECHANICAL DESIGN									
W x D x H (in mm)	254 x 203 x 38		333 x 300 x 70			357 x 325 x 80			
NET WEIGHT (kg)	1.3	2.7	3.8			4.2		5	

\* Maximum recording rate is the maximum number of recorded frames shared among all the cameras.

## Video Reception Software

TeleEye III+ can be used with the following software programs for different applications:

Applications	Brief descriptions*	Software Models
Single-site Monitoring	Views live video of a single site	WRS3-AD
Multi-site Monitoring	Views live video up to 4 sites	WRS3-M
Web-based Video Monitoring	Adds live video on user's web page	CYT3-AD
Mobile Video Monitoring	Views live video with a Pocket PC	M-101
Network Digital Video Recording	Allows live video monitoring, recording and playback simultaneously	DVR3-S, DVR3-AD
Central Station Video Monitoring	Multiple connections to alarm sites	NRS3-M

\* For more information, please refer to the individual leaflet.

## Recording Duration

Model	1 week	2 weeks	1 month
VR-4021	12.5 fps	7 fps	1 fps
VR-4042, VR-8042	25 fps	16 fps	6 fps
VR-8084, VR-16084	50 fps	35 fps	14 fps
VR-16168	100 fps	73 fps	32 fps

\* The table indicates the maximum recording frame rate of PAL video at resolution 320x240, medium picture quality and moderate amount of motion.

## PC Requirements:

CPU: Pentium III 866MHz or better RAM: 128MB

Display: 800x600, hi-color or better

OS: MS Windows 95, 98, ME, NT, 2000, XP

## TeleEye Europe Ltd

A member of TeleEye Group

Berkshire House, 252-256 Kings Road, Reading RG1 4HP

Tel: 0118 953 3707 Fax: 0118 953 3708 Email: ukinfo@TeleEye.com

Features and specifications are subject to change without prior notice.

Copyright ©2002 Signal Communications Limited.

TeleEye is a trademark of Signal Communications Limited and is registered in China, Hong Kong, U.S. and other countries.

All other trademarks are the property of their respective owners.

# TeleEye III+ Network CCTV Series

## Video Transmitter & Video Recording Transmitter

TeleEye

www.TeleEye.com

### Features

- Flexible connections - Internet, LAN, PSTN, ISDN, ADSL, cable modem, mobile network...
- 4, 8 & 16 video & alarm inputs
- Real time video transmission up to 30 fps over LAN for NTSC up to 25 fps over LAN for PAL up to 20 fps over PSTN
- Excellent picture resolution up to 640 x 480 pixels
- Built-in web server
- Support static and dynamic IP
- Homepage video tools
- Mobile video on Pocket PC
- Triplex Operation: Simultaneous video monitoring, recording & playback
- Video motion detection & event-driven recording
- Remote recording control & playback
- Video recording rate up to 120 fps
- Video backup through LAN
- Watchdog timer for connectivity
- Auto alarm dial-back
- Pre- & post-alarm video recording
- Compatibility with popular telemetry systems
- Single- & multi-site monitoring
- Audio transmission with **CAMERIO TeleEAR**

### Comprehensive Product Family

TeleEye III+ Network CCTV Series consists of 3 models of Video Transmitter, 6 models of Video Recording Transmitter and a series of video reception software for various applications. All hardware and software are designed to work seamlessly not only with each other but also with products of other CCTV and alarm equipment. The product family allows users to build remote video monitoring and recording system that satisfies almost any specification.

### Network-based Video Monitoring

The transmitter of TeleEye III+ Network CCTV Series is a one-plug module for video monitoring on LAN or the Internet. With its built-in network interface, TeleEye III+ can be easily integrated into a corporate network that saves you unnecessary cost of inflexible video cabling. It also supports multiple access to the monitoring videos. Powered by its unique Dual Connectivity, TeleEye III+ supports simultaneous network (LAN/Internet/ADSL) and dial-up (PSTN/ISDN/Mobile) access.

### Simultaneous Viewing, Recording and Playback

TeleEye III+ Video Recording Transmitter supports triplex operation of which video monitoring, recording and playback can be performed simultaneously. It is specially designed for monitoring unmanned premises like car park or ATM centre. Event-driven recording can be triggered by alarm sensor or video motion detection. Users can retrieve recorded video by searching in terms of event, location, date or time.

### Remote Video Access

With its powerful remote accessibility, TeleEye III+ Video Recording Transmitter can view live and play back recorded video from a remote location through PSTN or LAN. Its remote playback function makes it easy to control, manage or play back video from any location, which is ideal for central monitoring and management.

### Web-based Video Monitoring

All TeleEye III+ Network CCTV transmitters have built-in web servers. Users can then access to the transmitter by using a standard web browser through the Internet. With our **Cyber TeleEye** software, users can add live video into their web pages.

### Mobile Video Monitoring

With its TeleEye III+ M-monitoring Solution, users can point-and-click their wireless Pocket PC and connect to the TeleEye III+ transmitter, located at remote location, to obtain video anywhere anytime. When using the 2.5G mobile network, users can enjoy video streaming on Pocket PC at speed up to 64kbps. It operates on mobile communication technologies including CDMA, PHS, PCS, GSM, HSCSD, GPRS and wireless LAN.



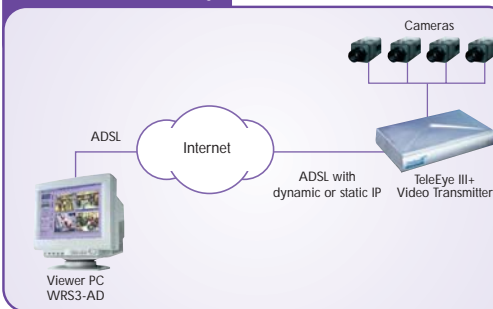
### Broadband Connectivity for Dynamic IP

TeleEye III+ Network CCTV Series provides fast remote live video monitoring on broadband at low cost. Expensive static IP address requirement is the major obstacle to the use of broadband for remote monitoring. This hassle is eliminated by TeleEye III+ "sureLINK" technology of which users are provided with unique sub-domain names for economic broadband connection with dynamic IP address. Users can access the TeleEye III+ transmitter to obtain real time video by just using their sub-domain names anytime around the world.

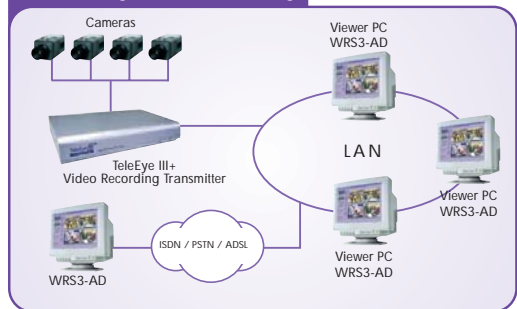
### Central Monitoring

TeleEye III+ Network CCTV Series can work as a visual alarm verification tool for central monitoring station. Accepting up to 16 video and alarm inputs, it can support multiple alarm dial-back and alarm-driven recording. Upon alarm occurrence, the TeleEye III+ transmitter automatically dials back to the central monitoring station and transmits video and alarm signals. Other features include multi-site video monitoring, electronic patrol, network accessibility and highlighted image transmission.....

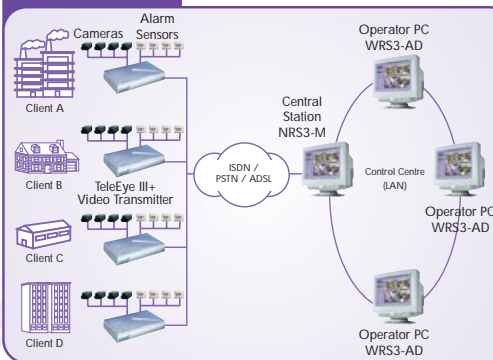
#### Broadband Connectivity



#### Network Digital Video Recording



#### Alarm Verification



#### Web-based Video Monitoring

