

TeleEye

DM860 | Speed Dome Camera



Powerful 352X Zoom with
Multi-functional Design to Suit ALL Needs



- **Maximum 352X Zoom**
- **Super High Resolution: 520 TV Lines**
- **Day/Night Model Available**
- **4 Privacy Zone Masking**
- **80 Presets and 4 Pattern Tours**
- **Remote Surveillance via Internet or Phone Line**

TeleEye

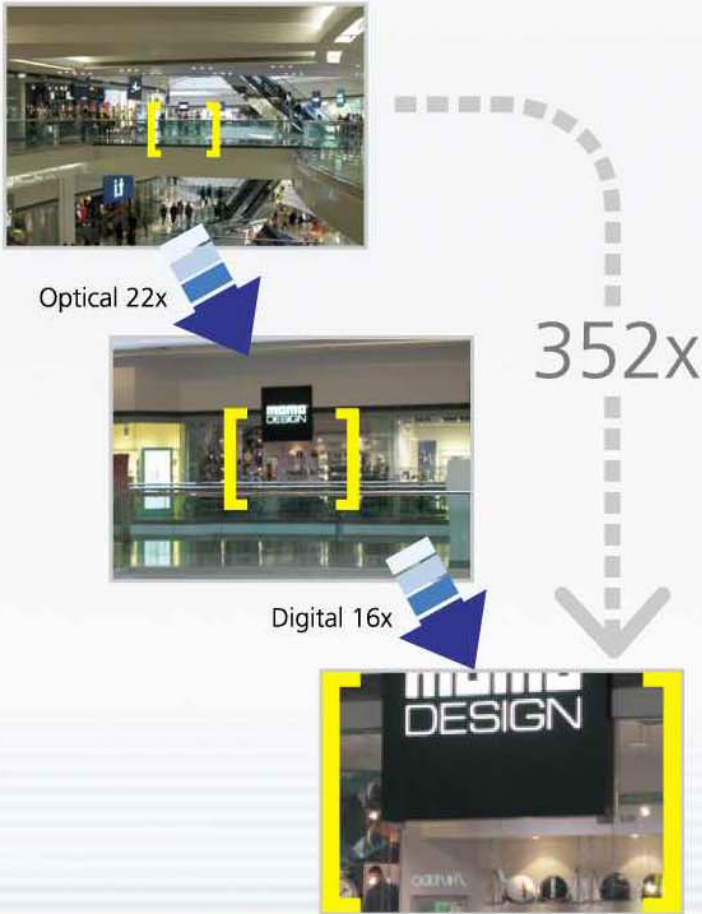
www.TeleEye.com

DM860 | Speed Dome Camera

Powerful 352X Zoom with Multi-functional Design to Suit ALL Needs

Powerful 352X Zoom

TeleEye DM860 is equipped with a reliable built-in 22X optical zoom lens that allows you to monitor a scene from any distance. Combined with a 16X digital zoom, its total zoom ratio can be boosted up to 352X for enabling powerful close-ups and capturing the subjects details.



Super High Resolution 520 TV Lines

With more than 520 TV lines in horizontal resolution, **TeleEye** DM860 provides high definition and superior clarity of digital image.

Advanced Privacy Zone Masking

TeleEye DM860 allows up to 4 masks of arbitrary size, to mask out any desired areas on screen. It can ensure consistent privacy no matter where the camera is pointing or zooming.



Reliable and Precise Control

With its high quality and digital controlled stepping motors, **TeleEye** DM860 can position the camera precisely and rapidly when seeking preset positions. It can also move at very low speed down to 0.5° /sec without causing image vibration.

80 Presets and 4 Pattern Tours

TeleEye DM860 supports up to 80 programmable preset positions. You can establish up to 4 pattern tours which lets you program the dome camera to follow a continuous memorized path-panning, tilting and zooming at any speeds you want, and stopping at selected targets along the way. Auto Scan function is also available. The dome camera will return to home position after the programmed idle time has passed.

Typical Configurations



Day/Night Changeover Operation

TeleEye DM869 is an outdoor day and night speed dome camera which allows full colour surveillance during the day-time down to 0.04 Lux operation. The camera switches to operate in B&W mode to increase its sensitivity for very low light to 0.002 Lux in the night-time.



TeleEye DM-AL82 Alarm Interface

In conjunction with DM-AL82 alarm interface, **TeleEye** DM860 can instantly return to their preset positions upon any alarm triggers. Alarm sensors being triggered, such as magnetic door contacts, PIR motion sensors, smoke detectors, can drive the relay switches to turn on some electrical devices, e.g. lighting appliance, buzzer.

All Weather Functions

The outdoor version DM868 meets international IP66 standards for dust and moisture resistance. It is equipped with double housing, heater and fan units which allow it to operate under a wide range of temperatures from -30 °C to + 50 °C.

Full Compatibility with TeleEye Transmitters

DM860 is fully compatible with **TeleEye** Video Transmitters in remote surveillance applications via broadband Internet or phone lines. You can remotely control the cameras to verify video for immediate action.



Specifications of DM-AL82 Alarm Interface

ALARM INPUT	No. of Channels	8
RELAY SWITCH	No. of Channels	2
	Max. Rating	AC 125V, 0.4A / DC 20V, 2A
COMMUNICATION	Port	RS485 to camera: 2400 / 4800 / 9600bps RS485 to keyboard: 2400 / 4800 / 9600bps
POWER / ENVIRONMENT	Weather Proof Standard	IP66
	Operating Temperature	0°C – 50°C
	Voltage	DC 9V
	Max. Rating	4.5W
	Dimension	200mm x 143mm x 75mm
	Weight	0.46 kg

DM860 Series



DM862
Ceiling mount (indoor)



DM866
Wall mount (indoor)



DM868 / DM869 (Day / Night)
Wall mount (outdoor)



Pendant Mount
(option)



TeleEye DM-KB02

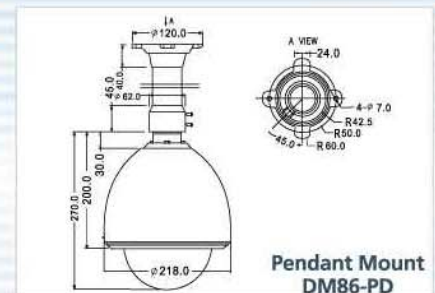
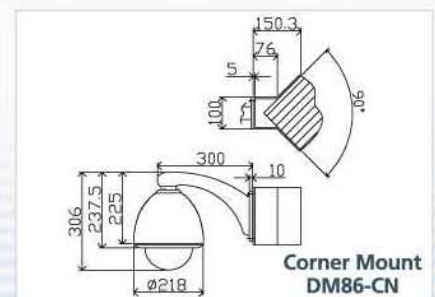
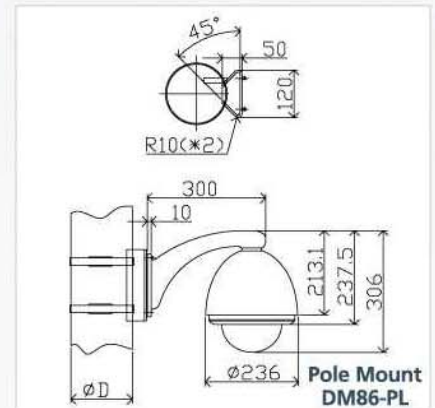
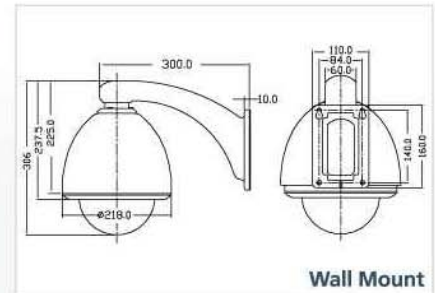
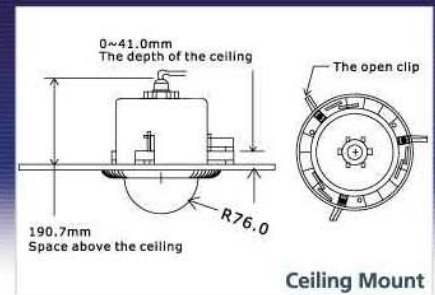
	DM862 Ceiling mount (indoor)	DM866 Wall mount (indoor)	DM868 Wall mount (outdoor)	DM869 Wall mount (outdoor)
Scanning System	PAL (625 lines, 50 fields per second) NTSC (525 lines, 60 fields per second)			
Image Sensor	1/4" interline transfer CCD			
Resolution	520 TV lines			
Minimum Illumination	0.06 Lux (F1.6) at 50 IRE, 32X sensitivity boost		Colour: 0.04 Lux (F1.6) at 50 IRE, 32X sensitivity boost B/W: 0.002 Lux (F1.6) at 50 IRE, 32X sensitivity boost	
Electronic Sensitivity Boost	On (2X - 32X) / Off			
Video Output Level	1.0Vp-p (75 Ω, composite)			
Video S/N Ratio	≥48dB			
White Balance	Auto / Manual			
Gain Control	Auto			
Electronic Shutter	1/50 - 1/10,000 sec			
Iris	Auto / Joystick auto / Manual			
Back Light Compensation	On / Off, 15 levels			
Lens	Aperture stop: F/1.6 - 3.8			
	Focal length: f=3.6 - 79.2mm Viewing angle: 2.4° - 52°			
Zoom	Optical: 22X / Electronic: 16X (Total: 352X)			
Privacy Masking	On / Off, 4 masks			
Panning	Range: 360° continuous			
	Manual speed: 0.5° - 140°/sec Preset speed: 300°/sec			
Tilting	Range: 0° - 90°			
	Manual speed: 0.5° - 140°/sec Preset speed: 300°/sec			
Control	80 Presets, 4 Pattern, 4 Patrols, 4 Auto scans, Home position, Manual			
Weather Proof Standard	-	IP44	IP66	
Fan	-	-	Continuous	
Heater	-	-	Auto Start	
Operating Temperature	0°C - 40°C		-30°C - 50°C	
Humidity	< 90%			
Power Source	AC 24V, 10W (max)		AC 24V, 50W (max)	
Net Weight	2.6 kg	4.3 kg	4.8 kg	

CAMERA OPTICS

MECHANICAL DESIGN

POWER / ENVIRONMENT

Mounting Options



TeleEye Group

Signal Communications Limited

16/F, Millennium City III, 370 Kwun Tong Road, Kowloon, Hong Kong
International: (852) 2995 5996 Hong Kong: (852) 2995 5992 Fax: (852) 2995 5901
Email: info@TeleEye.com Web: www.TeleEye.com

TeleEye Europe Ltd.
Berkshire House, 252-256 Kings Road,
Reading, Berkshire RG1 4HP,
United Kingdom
Tel: (44) 118-953-3707
Fax: (44) 118-953-3708
Email: ukinfo@TeleEye.com

TeleEye (S) Pte Ltd.
10 UBI Crescent, #06-09 Lobby A UBI Techpark
Singapore 408564
Tel: (65) 6745-3921
Fax: (65) 6742-1965
Email: sales@TeleEye.com.sg

CAMERIO Japan, Inc.
8-22-1 Asamizodai,
Sagamihara, Kanagawa,
Japan (Post Code: 228-0828)
Tel: (81) 42-742-2690
Fax: (81) 42-742-2616
Email: info@CAMERIO.co.jp

TeleEye Digital Technology (Shenzhen) Co., Ltd.
Room A602, Shenzhen Virtual University Park,
Shenzhen Hi-Tech Industrial Park, Shenzhen, China
Tel: (86) 755-2671-2122
Fax: (86) 755-2671-2287
Email: info@TeleEye.com.cn