

Stainless Steel P&T Unit with dual housings

VSPT250D

AISI316L Stainless Steel construction
Maximum Load 25 kg
Variable Speed
Weatherproof standard IP67
Dual housings
Internal cabling



■ VSPT250D
Variable Speed Pan & Tilt Unit with dual housings



■ Custom VSPT250D+SSBK500
Pan & Tilt unit with housings and mounting bracket

■ The VSPT250D main feature is the dual housing with integrated Junction Box and full protected internal cabling. With the VSPT250D Pan & Tilt unit it is possible to control the position of two cameras simultaneously. A standard camera (day/night) and an IR camera can be used, but this is just a possibility between a wide set offered by Tecnovideo. Different camera housings, selected from the Tecnovideo's range, can be installed on the P&T.

The VSPT250D Pan & Tilt unit is completely constructed in AISI316 stainless steel to be perfectly corrosion resistant in harsh environments (Marine, Offshore, Food and Heavy Industry) and in every location where the standard aluminium-steel units would rapidly deteriorate.

VSPT250D can be provided fully pre-built and FAT'd tested, pre-wired upon client specification with client's cameras, or as a single OEM unit for local assembly supported by on site training and assistance.

The VSPT250D Pan & Tilt unit can be controlled using Pelco protocol through the integrated Tecnovideo telemetry receiver. The unit can handle up to 25 kg loads. Versions with both electronically adjustable or external mechanically adjustable end stops limits are available. The pre-set positioning of the unit is controlled by high precision potentiometers fitted as standard on pan and tilt axis. An integrated junction box allows the installation of a toroidal transformer or interface boards.

An entirely AISI316L stainless steel wall mounting bracket is available.

A full range of customisation is available.

Contact us for more information.

Technical Specifications

MODELS

VSPT250D

P&T unit with dual housing; internal cabling; electronic limits. Standard equipped with **129WW** and **129SHIR70** camera housings and RS485 Pelco D telemetry receiver.

129WW

Camera Housing, length=360 mm+Sunshield+Heater+Wiper; usable front window diameter 72 mm; vandal resistant glass front window; thickness 12 mm.

129SHIR70

Camera Housing, length=360 mm+Sunshield+Heater; usable front window diameter 70; Germanium front window, thickness 3 mm, AR/DLC coating.

GENERAL & MECHANICAL

Construction: AISI316L Stainless Steel
Finish: Electro-polished

Pan Angle: 350° Max
Pan Speed: 0 – 18°/second
Pan Torque: 80 Nm (in both ways)

Tilt Angle: 350° Max
Tilt Speed: 0 – 9,5°/second
Tilt Torque: 107 Nm (in both ways)

Backlash: <0.1°

Maximum load: 25 kg

Weight: 37 kg (without cameras)

Mounting: 4xØ11 on 195 mm PCD

Pre-set Positioning: Fitted as Standard

Rotation Angle Electronically set

Seals: 'O' Ring

Cable entries:

1 M25x1,5 cable entry.
Different cable entries are available to meet every installation requirement.

CERTIFICATION

Rating: IP67
Ambient Temperature Range: -20° to +55°C

ELECTRICAL

Input Voltage: 24 VAC
Power consumption: 25 W per motor

MOUNTING ACCESSORIES

SSBK500 AISI316L Stainless Steel wall mounting bracket

CUSTOMISATION OPTIONS

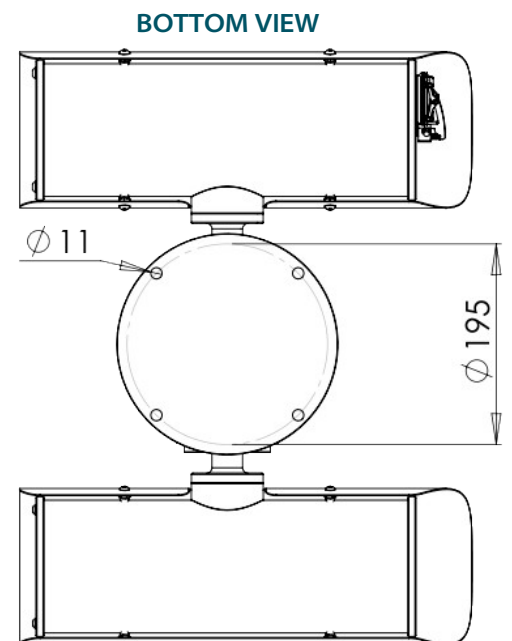
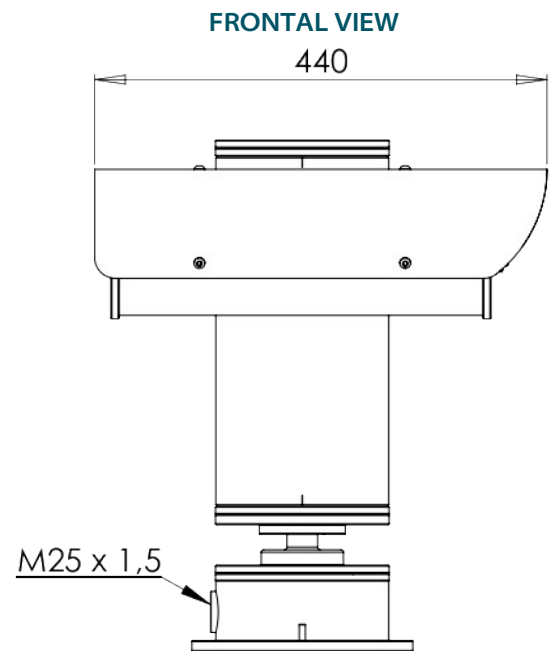
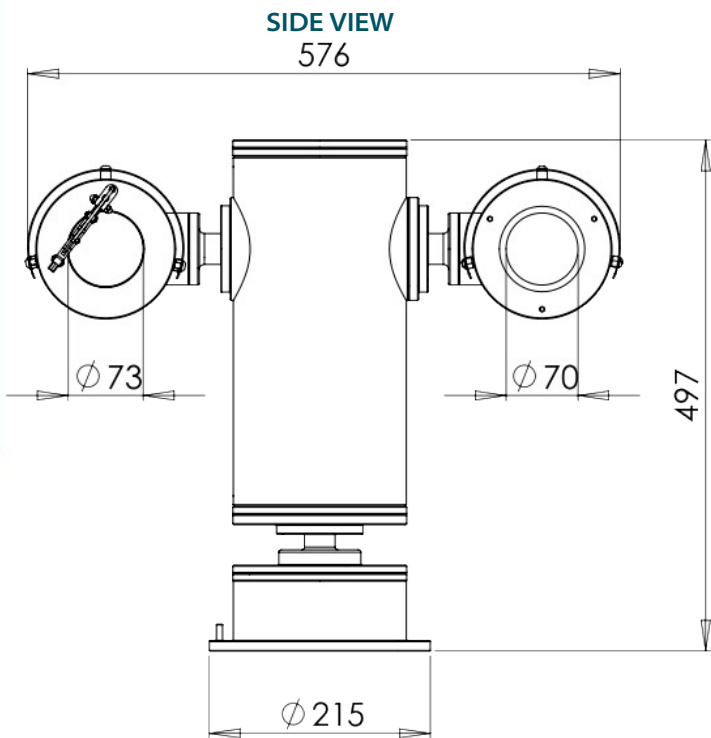
A full range of customisation is possible:

- different camera housings dimensions;
- different camera housings optionals (sunshield, heater, integrated wash wiper, air barrier);
- externally adjustable end-stop limits;
- fixed speed rotation.

Contact us for further information.



Dimensions



The dimensions of the product refers to the standard model.
Custom products may have different dimensions.