

indoor/outdoor dome IP camera



Standard Mini Dome IP WDR IP Camera

Contains high quality CCD sensor for low light level conditions. The camera includes TDSI's Video Analytic solution as standard.

indoor/outdoor dome IP camera

DS0105_Issue 1

SPECIFICATIONS

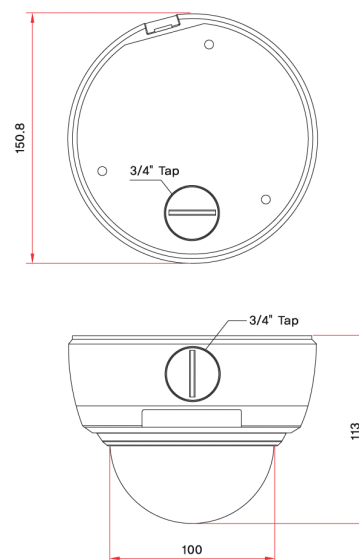
TDSi Part No.	5012-0315
Camera Module	
Image Sensor	Sony 1/3" SONY DS CCD
Effective Pixels	768 x 494 (NTSC) / 752 x 582 (PAL)
Scanning System	2: 1 Interlace
Horizontal Resolution	COLOUR: 560 TVL
Dynamic Range	52dB (x128)
S/N Ratio	52dB (AGC Off, Weight On)
Minimum Illumination	0.3 Lux (50 IRE, AGC HIGH, DNR HIGH) 0.002 Lux (Sens-up X 128)
Lens	2.8~10.5 mm F1.2 DC Auto Iris Board Vari-Focal S/W
Day & Night	IR Cut Filter
Video	
Compression Format	H.264, MPEG-4, MJPEG
Number of Streams	Dual Stream, Configurable
Resolution	D1, CIF, QCIF
Compression FPS	25/30 fps@D1
De-interlacing	Optional (On / Off)
Motion Detection	Built-in (DSP)
Burnt-in Text	Video stream overlay text (DSP)
Analog Output	1 Loop Out, Molex Connector Inside
Audio	
Input	1 channel
Output	1 channel
Compression Format	G.711
Function	
Digital Input	1
Digital Output	1
Serial port	RS485
Network	10 / 100 Base-T
Protocol	TCP/IP, UDP/IP, HTTP, RTSP, RTCP, RTP/UDP, RTP/TCP, SNTP, mDNS, UPnP, SMTP, SOCK, IGMP, DHCP, DDNS, SSL v2/v3, IEEE 802.1X, SSH
Users	WEB access, up to 20 simultaneous user, depending on resolution settings - Unicast, Multicast - Unlimited
SD Memory	Optional, microSD up to 4GB
Electrical	
Power Source	12V DC
Power over Ethernet	Support, IEEE 802.3af
Power Consumption (Approx)	300 mA @ +12V
Environmental	
Operating Temperature	0°C ~ 50°C (32°F ~ 122°F)
Operating Humidity	Up to 85% RH, Non-condensing
Mechanical	
Material	Aluminum Die Casting / Polycarbonate
Color	Ivory
Dimension	Housing: 150() x 113(H) mm, Dome: 100() mm
Weight (Approx)	1,080 g
Primary Intelligent Video Analytics (Included as Standard)	
High Performance	Advanced Tracking Algorithm. Low False Alarm Rate
Easy to Use	Intuitive Web Browser Interface
Detection Zones	Single Zone detection, multi-segment Polygons and Lines
On-screen Display	Real-time Display of Tracking Data and Events
Camera Shake Cancellation	Improve the VCA performance with cameras that are prone to shake
Tamper Detection	Detect camera tampering

FEATURES & BENEFITS

- H.264 D1 25/30 FPS
- Video Compression: H.264, MPEG-4, MJPEG
- Dual Stream
- Enhanced Deinterlacing on DSP
- Embedded Intelligent Video Analytics
- Burnt-in Text, Video Motion Detection Support
- 2-way Audio
- microSD Memory Support
- IP66 Support
- Remote Firmware Upgrade over the network
- Comprehensive SDK Support

ORDERING INFORMATION

Part Number: 5012-0315



(unit: mm)



TDSi UK
Unit 10 Concept Park,
Innovation Close,
Poole,
Dorset BH12 4QT
United Kingdom
t: +44 (0)1202 723535
f: +44 (0)1202 724975
e: sales@tdsi.co.uk

TDSi France
Immeuble ATRIA,
2 rue du Centre
93160 NOISY LE GRAND,
France
t: +33 (0)1 58 84 20 90
f: +33 (0)1 58 84 20 91
e: infos@tdsi-france.com

TDSi China
Rm 103, 1 Bld,
Shangsha Innovation Science
& Technology Park,
9283 Binhai Road,
Futian District,
Shenzhen 518048,
P.R.China
t: 86-755-82535725,
82535720
f: 86-755-82535770
e: tdsiinfo@microgarde.com.cn