

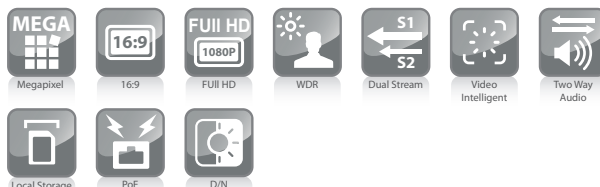
CAM2511

5 Megapixel WDR Day&Night Network Camera



* The lens needs to be purchased separately.

- 5 Megapixel Progressive Scan Sensor
- Up to 2560 x 1920 Video Resolution
- H.264/MPEG4/MJPEG 2 Simultaneous Video Streams
- Surveon Video Intelligent Ready
- MicroSD/SDHC Local Storage for Alarm Capture
- Day/Night Function with IR-Cut Filter
- Power over Ethernet (IEEE 802.3af)
- DC Iris Control and WDR (Wide Dynamic Range)



Product Specification

Camera	
Image Sensor	1/2.5" 5 megapixel progressive scan CMOS
Lens	Changeable (CS/C mount)
SNR	48dB
WDR	Yes
Day/Night ICR	Yes
IR LED	N/A
Min Illumination	0.01 Lux @ F1.2 (B/W) 0.1 Lux @ F1.2 (Color)
Iris Control	DC drive
Shutter time	1/2 ~ 1/100,000 s
Viewing Angle	N/A
Camera Angle Adjustment	N/A
Pan/Tilt/Zoom Functionalities	N/A
Video	
Video Compression	H.264/MPEG-4/MJPEG
Resolution	Up to 2560 x 1920
Frame Rate	14 fps at QSXGA (2560 x 1920) 21 fps at QXGA (2048 x 1536) 30 fps at 1080P (1920 x 1080) 30 fps at SXGA (1280 x 1024) 30 fps at 720P (1280 x 720) 30 fps at D1 (720 x 480) 30 fps at VGA (640 x 480) 30 fps at QVGA (320 x 240)
Video Stream	Dual stream at H.264, MPEG-4, and MJPEG simultaneously
Bit Rate	64K ~ 20Mbps, VBR, CBR, controller frame rate and quality
Video Control	AGC (Auto Gain Control), AWB (Auto White Balance), AES (Auto Electronic Shutter), image adjustment
Intelligent video	Motion detection, tampering detection (blocked, redirected, defocused, or spray-painted)
Video Jack	Yes (BNC)
Audio	
Built-in MIC	N/A

Audio Compression	32KHz, ADPCM
Audio Input/Output	3.5mm phone jack
I/O and Event Management	
Alarm In	1, terminal block
Alarm Out	1, terminal block
Video Buffer	5 second pre-alarm, 30 second post-alarm
Event Action	Send snapshot or video clip by FTP or email, record to NAS, record to local storage, trigger DO

Network	
Supported Protocols	IPv4, ARP, TCP, UDP, ICMP, DHCP, NTP, DDNS, SMTP, FTP, HTTP, CIFS, PPPoE, UPnP, RTP, RTSP, RTCP, 3GPP, ONVIF
Ethernet	10/100 Base-T / RJ45

System	
Local Storage	microSD/SDHC x 1 (Class 4/Class 6 only)
RS-485	1 (2 pin on terminal block)
USB	N/A
SDK	Surveon SDK 2.0

Viewing System	
OS	Microsoft Windows XP/Vista/7
Browser	Microsoft IE 6.0 or above
Software	Surveon VMS 2.4.8

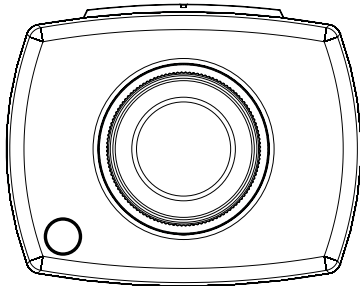
General	
Temperature	Operation: -10°C ~ 50°C (14°F ~ 122°F) Storage: -30°C ~ 60°C (-22°F ~ 140°F)
Humidity	5 to 90%
Power	12VDC 1.5A; PoE (IEEE 802.3af) with Class 3
Power Consumption	Max. 7W
Dimension	74.95mm x 59.3mm x 153.5mm (2.95" x 2.34" x 6.04")
Weight	Net: 435g (0.96 lb) Gross: 1085g (2.4 lb)
Certification	Safety: LVD EMC: FCC, CE, GOST

CAM2511

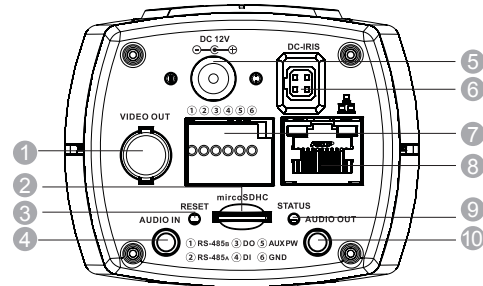
5 Megapixel WDR
Day&Night Network Camera

Part Names and Functions

Front View



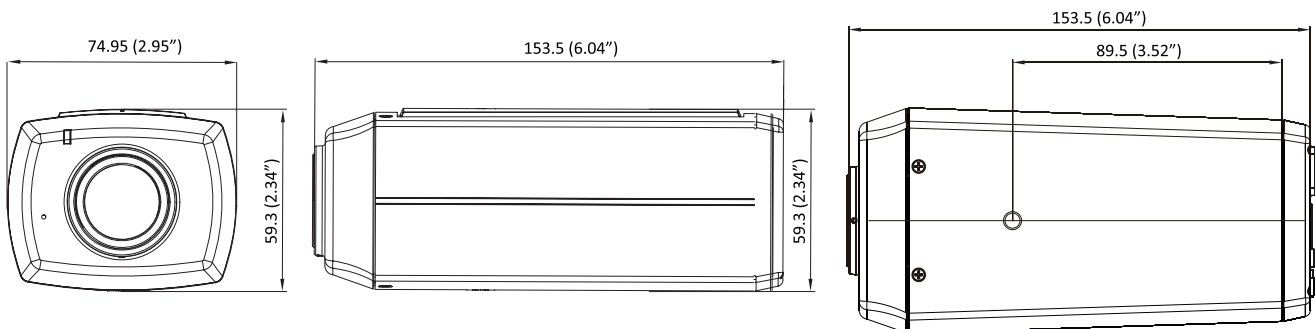
Rear View



- | | |
|-------------------|---------------------------|
| ① Video out | ⑥ DC-Iris connector |
| ② microSDHC slots | ⑦ I/O terminal connectors |
| ③ Reset button | ⑧ Network connector |
| ④ Audio in | ⑨ Status indicator |
| ⑤ Power connector | ⑩ Audio out |

Appearance

Unit:mm(inches)



Package Content

Contents	Quantity
Quick Installation Guide	1
Product DVD	1
CAM2511	1
Camera Stand	1
Decoration Ring	1
L Type Hexagon Spanner	1

Ordering Information

Part Number	Description
CAM2511-0015	5 megapixel WDR day&night network camera w/o lens

Optional Accessories

Part Number	Description
ZPWR18W-0030	Power Adapter

Lens Options

Part Number	Description
YB0LL07K01G0	1/2", f4.5~10mm/F1.6, DC-iris, CS mount
YB0LCB6C01G0	1/2.7", f3.1~8mm/F1.2, DC-iris, CS mount