

UNI-ORL7C2/T2, UNI-ORL7C2W/T2W & UNI-IRL7C2/T2

Security Camera Enclosures

SONY
make.believe

Dome Enclosures

The UNI-ORL7C2/T2, UNI-ORL7C2W/T2W & UNI-IRL7C2/T2 7-inch Domes offer vandal resistant protection for the camera. These tough dome housings are specifically designed to accommodate Sony's SNC-RS44/46, SNC-RH124, SNC-RZ25, SNC-RX, SNC-ER/EP and SNC-ZR/ZP series of cameras. The housings offer versatility, easy installation and outstanding camera protection in a compact size. The UNI-ORL7C2W includes a pre-run wireless antenna cable that works with the SNCA-CFW1 or the SNCA-CFW5 wireless card and SNCA-AN1 antenna (sold separately).



KEY FEATURES

- Designed for the SNC-RS44/46, SNC-RH124, SNC-RZ25, SNC-RX, SNC-ER/EP and SNC-ZR/ZP series of cameras.
- Easy camera installation.
- Strong cast aluminum top and trim ring, with UV protected lower dome.
- Optically clear .118-inches (3mm) thick aspheric polycarbonate dome.
- Pendant mount, 1½-inch NPT quick connect coupling.
- Thermostatically control 24VAC heater (UNI-ORL7C2/T2 & UNI-ORL7C2W/T2W models).
- 24 hour fan operation for effective heating and condensation protection (UNI-ORL7C2/T2 & UNI-ORL7C2W/T2W models).
- AC 24V inside to power cameras.
- Separate power input for heater, blower and camera power.
- Wireless antenna cable include with housing (UNI-ORL7C2W/T2W), N-type connector on top of enclosure for external antenna.
- Outdoor dome, UV protected.

BID SPECIFICATIONS

- The vandal resistant outdoor dome camera housing shall be a Sony Model UNI-ORL7C2/T2, UNI-ORL7C2W/T2W. The indoor models shall be a Sony Model UNI-IRL7C2/T2. The UNI-ORL7C2/T2, UNI-ORL7C2W/T2W, and UNI-IRL7C2/T2 housings can accommodate the SNC-RS44/46, SNC-RH124, SNC RZ25, SNC-RX, SNC-ER/EP and SNC-ZR/ZP series of cameras. The product should come standard with a pendant mount. The housing top and pendant mount bracket shall be manufactured from durable cast aluminum. The dome shall be made of an injection molded, 3mm thick, optically clear thermoplastic polycarbonate. The dome shall be held in place with minimum of (3) fasteners, and a safety cable shall be provided to hold the dome while servicing. Access to the enclosure shall be from below with (3) captive fasteners. A twist-off feature shall allow for the final removal of the dome. The wiring enters through the top of the housing on all models. A wall mount bracket, Sony model UNI-WMB1, shall be available as an option. The outdoor models shall also be equipped with 24VAC input blowers and thermostatically controlled heaters. The blower shall draw 2W continuous power. The 50W heaters shall turn on at 60°F (15°C) and turn off at 80°F (25°C). The housing shall support a temperature range of -40°F (-29°C) to 122°F (50°C).

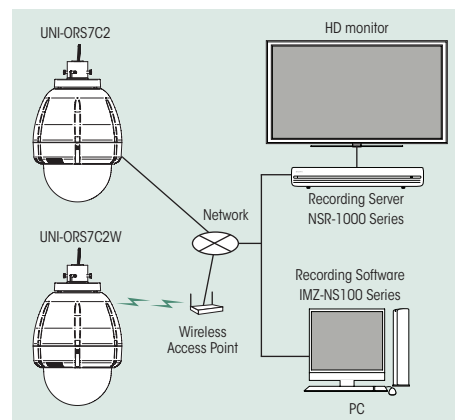
The UNI-ORL7C2W/T2W is a wireless ready dome housing. The product shall have a pre-installed wireless antenna cable. The product works with the SNCA-CFW1 or the SNCA-CFW5 wireless card and put N-type connector on top of enclosure for external antenna (sold separately).

- Note: To achieve the increased depth with the aspheric design for optimal camera lens to capsule orientation, the capsule is slightly angled around the highest section. This creates a "line", visible to the naked eye, around the upper most section of the capsule. This "line" serves as the geometric center line used to insure proper camera placement. It is not typically seen by the camera except when used with cameras that have above the horizon tilt capability.

SPECIFICATIONS

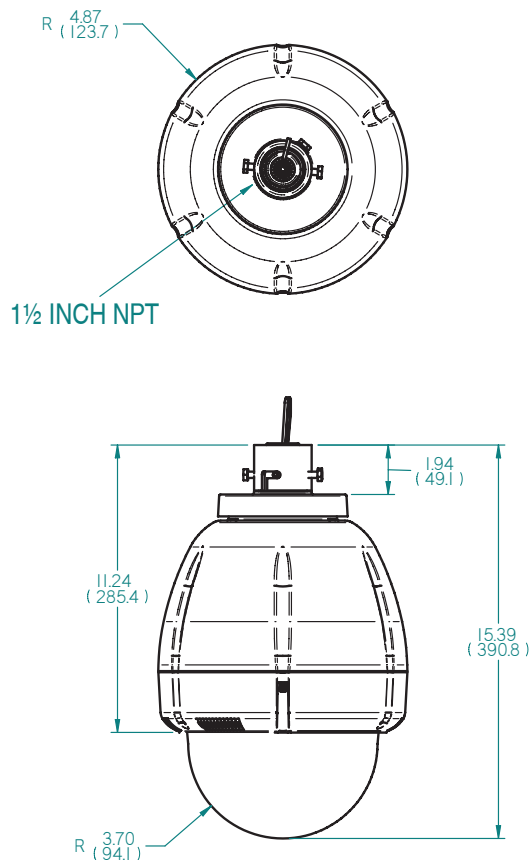
UNI-ORL7C2, UNI-ORL7C2W & UNI-IRL7C2	
Mechanical	
Size (H x W x D)	10.3 x 10.3 x 14.6 inches (262 x 262 x 371mm)
Weight	7 lbs. (3 kg) without camera
Upper housing	.080-inches (2.0mm) plastic top, 94VO flame rated, and UV protected
Lower dome	.118-inches (3mm), optically clear, thermoplastic polycarbonate
Mounting Brackets	Cast or machined aluminum
Environmental	
Operating temperature	-40°F (-40°C) to 122°F (50°C)
Heater activates at	40°F (5°C), deactivates at 60°F (15°C), 24VAC, 25W
Blower activates at	Continuous operation
Models	
UNI-ORL7C2	Outdoor, pendant mount, clear dome housing with 24VAC input and heater/blower
UNI-ORL7T2	UNI-ONL7C2 with a tinted lower dome
UNI-ORL7C2W	Outdoor, pendant mount, clear dome housing with 24VAC input and heater/blower. Include wireless antenna cable (must be used with SNCA-CFW1 & SNCA-AN1)
UNI-ORL7T2W	UNI-ONL7C2W with a tinted lower dome
UNI-IRL7C2	Indoor, pendant mount, clear dome housing without any electrical power or wiring
UNI-IRL7T2	UNI-INL7C2 with a tinted lower dome
Electrical	
Power	(UNI-ORL7C2 & UNI-ORL7C2W)
Heater and blower	24VAC 54 watts
Camera	24VAC 25 watts
Shipping	
Box dimension (H x W x D)	12 x 12 x 19 inches (305 x 305 x 483mm)
Weight	11 lbs. (5 kg)
Accessories	
UNI-WMB1	Aluminum gooseneck wall mount, white finish
UNI-RMB1	Aluminum parapet mount, white finish
UNI-CMA1	Aluminum corner mount adapter, white finish (must be used with UNI-WMB1)
UNI-PMA1	Aluminum existing pole mount adapter, white finish (must be used with UNI-WMB1)
UNI-WMB3	Wall/pendant adapter bracket for outdoor mini dome cameras
UNI-WMBB1	Aluminum pole/wall mount adapter bracket with straps
UNI-PBU1	Wall/pendant adapter bracket for outdoor mini dome cameras

SYSTEM CONFIGURATIONS



DIMENSIONS

Unit: inches (mm)



© 2012 Sony Electronics Inc. All rights reserved.
 Reproduction in whole or in part without written permission is prohibited.
 Features and specifications are subject to change without notice.
 Weights and measurements are approximate.
 Sony and the Sony make.believe logo are trademarks of Sony.

Sony Electronics Inc.
 1 Sony Drive
 Park Ridge, NJ 07656
sony.com/security