

# UNI-ID7C3 & UNI-ID7T3

Security Camera Enclosures

**SONY**  
make.believe

## Recessed Ceiling Housings

The UNI-ID7C3 (clear dome) and UNI-ID7T3 (tinted dome) are low profile indoor ceiling housings. They feature a 7-inch optically transparent polycarbonate dome to accommodate a Sony PTZ camera. The upper body is made of steel with a white powdercoat trim ring and an injection molded 3mm thick dome, giving the housing a clean look.



### KEY FEATURES

- Designed for the Sony SNC-RZ25N, SNC-RZ50N, SNC-RS44/46, SNC-RH124, SNC-RX series PTZ, SNC-ER/EP 520, 550, 580 and SNC-ZR/ZP550 cameras.
- 7-inch dome for easy installation and servicing from below ceiling.
- Housing extends only 3.5 inches below ceiling.
- Includes a decorative trim ring with quick-release pressure springs.
- UL rated for drop ceiling applications.
- Optically transparent .115 inches (3mm) thick aspheric polycarbonate dome.
- Available with a clear (UNHD7C3) or tinted (UNHD7T3) lower dome.

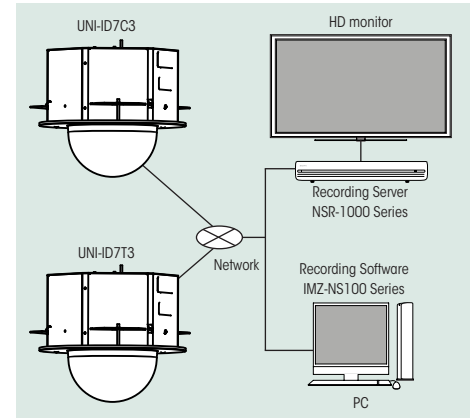
### BID SPECIFICATIONS

- The recessed ceiling housing shall be a Sony model UNI-ID7C3 or UNI-ID7T3. The housings have been designed and engineered for Sony SNC-RZ25, SNC-RZ50, SNC-RH124, SNC-RS44/46 and the SNC-RX series PTZ, SNC-ER/EP 520, 550, 580 and SNC-ZR/ZP550 cameras. The back box shall be constructed from 18-and 20-gauge steel and capable of being installed in its entirety from below the ceiling. The steel top will measure 5.5 x 11 inches (H x D). The dome shall be made of an injection molded, 3mm thick, optically transparent thermoplastic polycarbonate and shall be available in clear or tinted. The UNI-ID7T3 includes a tinted lower dome and the UNI-ID7C3 includes a clear lower dome. The lower dome shall be held in place by a 19-gauge steel trim ring (white powdercoat finish). The product shall be designed to be installed in either sheetrock or drop ceilings. Three rotating support arms will allow for adjustment to the ceiling material thickness.
- Note: To achieve the increased depth with the aspheric design for optimal camera lens to capsule orientation, the capsule is slightly angled around the highest section. This creates a "line", visible to the naked eye, around the upper most section of the capsule. This "line" serves as the geometric center line used to insure proper camera placement. It is not typically seen by the camera. However, the Sony RH,RS, RX and ER/EP series of cameras have a 15° tilt. The Sony RZ series of PTZ cameras are capable of a 25° tilt above horizon.

## SPECIFICATIONS

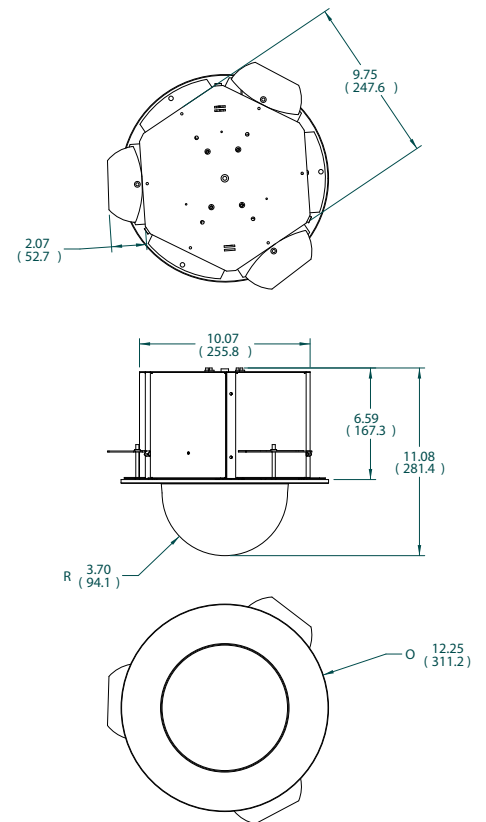
UNI-ID7C3 & UNI-ID7T3	
<b>Mechanical</b>	
Size (H x W x D)	11.08 x 12.25 x 12.25 inches (281.4 x 311.2 x 311.2mm)
Weight	6 lbs. (3 kg) without camera
<b>Shipping</b>	
Weight	10 lbs. (4.6 kg)
Boxing	15 x 15 x 12 inches (381 x 381 x 305mm)
<b>Construction</b>	
Body	Steel
Back box	18-and 20-gauge steel
Trim ring	19-gauge steel
Dome	OptiClear™ polycarbonate
<b>Electrical</b>	
No electronics. Interface wiring	Ethernet, sensor I/O, power provided by user

## SYSTEM CONFIGURATIONS



## DIMENSIONS

Unit: inches (mm)



© 2012 Sony Electronics Inc. All rights reserved.  
 Reproduction in whole or in part without written permission is prohibited.  
 Features and specifications are subject to change without notice.  
 Weights and measurements are approximate.  
 Sony, the Sony make.believe and their respective logos are trademarks of Sony.

Sony Electronics Inc.  
 1 Sony Drive  
 Park Ridge, NJ 07656  
[sony.com/security](http://sony.com/security)