

SSM-L24F1 SSM-L22F1

LCD Security Monitors

SONY
make.believe

The SSM-L24F1 and SSM-L22F1 are full-HD, widescreen LCD monitors designed for use in security applications – the SSM-L24F1 is a 24-inch monitor, while the SSM-L22F1 is a 21.5-inch monitor. Thanks to energy-efficient LED backlighting, both models offer economical operation. With various analog and digital interfaces and other convenient features, these monitors provide excellent performance in video surveillance applications.



The monitor stand is optional.

KEY FEATURES

1080 Full-HD Panel

The SSM-L24F1 and SSM-L22F1 incorporate a full-HD LCD panel with a 16:9 aspect ratio. This high-quality LCD panel offers excellent picture quality thanks to a native resolution of 1920 x 1080. Both monitors adopt anti-glare coating on their LCD panels which can reduce light reflection, providing clear, high-contrast picture viewing.

LED Backlighting

With their energy-efficient LED backlighting, the SSM-L24F1 and SSM-L22F1 offer low power consumption of typically 34 W and 32 W respectively, saving operational costs.

Various Video and Audio Inputs

The SSM-L24F1 and SSM-L22F1 support HDMI and DVI-D digital interfaces, analog video inputs – composite (BNC), S-video, and RGB (HD-15) – and stereo audio inputs.

PinP (Picture-in-Picture)

The PinP function allows the picture from a secondary source to be displayed within the main picture. The secondary picture is variable in size and position. The following inputs are supported for display on the main screen and the sub-screen in PinP.

	MAIN	Video	S-Video	HD-15	DVI	HDMI
SUB						
Video					●	●
S-Video					●	●
HD-15						
DVI		●	●			
HDMI		●	●			

Built-in Speaker

The SSM-L24F1 and SSM-L22F1 are equipped with a high-performance stereo speaker with 3 W + 3 W output.

VESA Mounting

These monitors support VESA-compliant mounting points (100 mm x 100 mm) to help ensure the safe installation of each unit.

Monitor Stand

Both models can be used as desktop monitors, simply by attaching the optional SSMA-SU10 Monitor Stand.

ISM (Image Sticking Minimization) Function

When ISM* is activated, several small black blocks appear on the monitor screen at random positions and intervals in a very short period of time. This can minimize the phenomenon of LCD monitor burn-in because the black blocks (groups of pixels) produced at black signal levels refresh pixels across the entire LCD panel.

* ISM cannot fully prevent LCD monitor burn-in.

Connect Your Vision

PELA™

SPECIFICATIONS

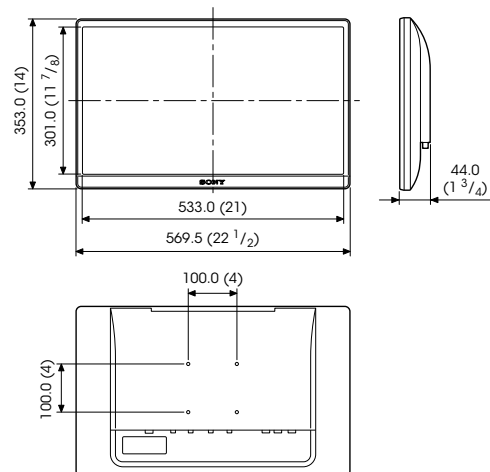
	SSM-L24F1	SSM-L22F1
LCD Panel		
Type	α-Si TFT TN-type LCD LED backlight	α-Si TFT TN-type LCD LED backlight
Panel Size (Diagonal)	24.0-inch	21.5-inch
Picture Size (H x V)	531.4 mm x 298.9 mm (21 inches x 11 7/8 inches)	476.6 mm x 268.1 mm (18 7/8 inches x 10 5/8 inches)
Panel Resolution (H x V)	1920 x 1080 pixels, Full HD	1920 x 1080 pixels, Full HD
Pixel Pitch	0.28 mm x 0.28 mm	0.25 mm x 0.25 mm
Color Depth	16.7 million colors	16.7 million colors
Brightness	250 cd/m ² (typical)	250 cd/m ² (typical)
Viewing Angle	170° (H)/160° (V) (typical)	170° (H)/160° (V) (typical)
Signal		
Color System	NTSC, PAL	NTSC, PAL
Sampling Rate	25.2 MHz to 148.5 MHz	25.2 MHz to 148.5 MHz
Input/Output		
Digital Video	HDMI (1080p) input x1 with audio input DVI (Rev.1.0 compliant) input	HDMI (1080p) input x1 with audio input DVI (Rev.1.0 compliant) input
Analog Video	HD15 input (RGB/Component video input) S-Video input Composite video input (BNC x1)	HD15 input (RGB/Component video input) S-Video input Composite video input (BNC x1)
Remote Control	RS-232C (for factory service use only)	RS-232C (for factory service use only)
Speaker Output	L/R, 3 W + 3 W (built-in)	L/R, 3 W + 3 W (built-in)
General		
Power Requirements	AC adaptor, 100 V to 240 V, 50/60 Hz	AC adaptor, 100 V to 240 V (50/60 Hz)
Power Consumption	34 W (typical)	32 W (typical)
Operating Temperature	5°C to 40°C (41°F to 104°F)	5°C to 40°C (41°F to 104°F)
Storage Temperature	-20°C to +60°C (-4°F to +140°F)	-20°C to +60°C (-4°F to +140°F)
Humidity	10% to 80%, no condensation	10% to 80%, no condensation
Dimensions (W x H x D)	569.5 mm x 353.0 mm x 44.0 mm (22 1/2 inches x 14 inches x 1 3/4 inches) (excluding protrusions)	516.5 mm x 312.1 mm x 60.5 mm (20 3/8 inches x 12 3/8 inches x 2 1/2 inches) (excluding protrusions)
Mass	4.40 kg (9 lb 11 oz)	3.36 kg (7 lb 7 oz)
Regulation Compliance	UL/cUL: UL60950-1, CSA C22.2 No. 60950-1, FCC: Class A, IC: Class A, CB: IEC60950-1, CE: EN55022 Class A, VCCI: Class A, C-Tick: EN55022 Class A, GOSTR	UL/cUL: UL60950-1, CSA C22.2 No. 60950-1, FCC: Class A, IC: Class A, CB: IEC60950-1, CE: EN55022 Class A, VCCI: Class A, C-Tick: EN55022 Class A, GOSTR
Other Features	ISM (Image Sticking Minimization)	ISM (Image Sticking Minimization)
Supplied Accessories	AC adapter (1) VGA cable (1) Logo plates (black, gray) (1 each) Cable clamp (1) Operation Manual (1)	AC adapter (1) VGA cable (1) Cable clamp (1) Operation Manual (1)

Note on LCD burn-in

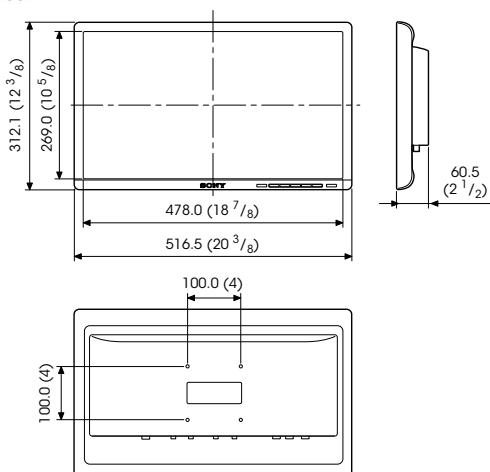
LCD panels are susceptible to burn-in. When a non-moving image is displayed in the same position for prolonged periods or at constant intervals, the image may become permanently burned into the screen.

DIMENSIONS

SSM-L24F1



SSM-L22F1



Unit: mm (inches)

OPTIONAL ACCESSORY



SSMA-SU10 Monitor Stand

Distributed by

MK10955V1OH812JUL

©2012 Sony Corporation. All rights reserved.

Reproduction in whole or in part without permission is prohibited. Features and specifications are subject to change without notice.

The values for mass and dimension are approximate. "Sony", "make.believe", and "IPELA" are trademarks of Sony Corporation. All other trademarks are the properties of their respective owners.



As an ENERGY STAR Partner, Sony confirmed that this product meets the ENERGY STAR standards for energy efficiency.

ENERGY STAR and the ENERGY STAR mark are registered U.S. marks.