

650 TV Line Security Camera with High Sensitivity

- Horizontal resolution 650 TV lines
- High sensitivity 0.15 lx (F1.2, 50 IRE, Color)
- x3.7 Variable focal lens
- Compact design

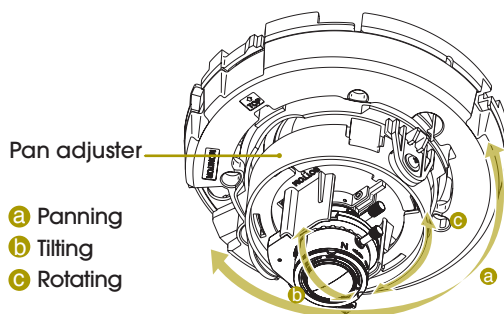


KEY FEATURES

- High resolution (650 horizontal TV lines) and high sensitivity (0.15 lx, F1.2, 50IRE) achieved by a 1/3-type EXview HAD CCD II™ sensor and Sony's new digital signal processor, Effio-E™.

EXview HAD CCD II™

- 3.7x variable focal length lens with a focal length of 2.8 mm to 10.5 mm and a horizontal angle of view of 99.5° to 27.4°.
- Easy and flexible camera angle adjustment achieved by a new three-hinge structure.



- Electrical Day/Night function to switch to Day or Night mode depending on the light level.
- Low power consumption: 1.5 W (Max.).

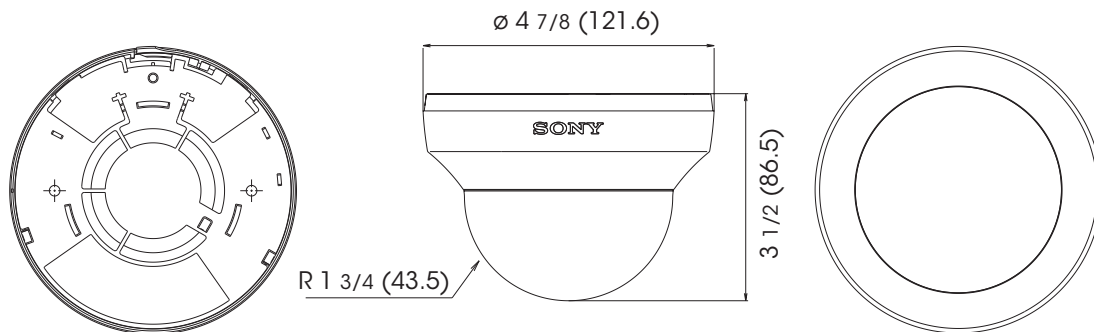
- ATR-Lite (Adaptive Tone Reproduction Lite) to compensate for gradation of subjects to an optimum level.
- iBLC to compensate for exposure levels in dark scenes to improve subject visibility.
- ATW (Automatic Tracing White) balance which automatically adjusts the camera's white balance to adapt to sudden changes in lighting conditions.
- Internal lock, and line lock selectable.
- 2D noise reduction employed.
- AC 24 V/DC 12 V operation ($\pm 10\%$).
- Custom template supplied.

SPECIFICATIONS

	SSC-N21	SSC-N21A
Camera		
Image device	1/3-type EXview HAD CCD II	
Number of effective pixels (H x V)	approx. 570,000 pixels (976 x 582)	approx. 480,000 pixels (976 x 494)
Signal system	PAL standard	NTSC standard
Horizontal resolution	650 TV lines	
S/N ratio	More than 55 dB(AGC Off)	
Minimum illumination	Color: 0.15 lx, B/W: 0.1 lx (F1.2, 50IRE); Color: 0.08 lx, B/W: 0.03 lx (F1.2, 30IRE)	
Video output	VBS: 1.0Vp-p	
Synchronization	Internal/AC line lock selectable	
Gain control	Auto (on/off)	
White balance	ATW (2000K to 10000K), ATW-PRO (2500K to 6000K)	
Lens type	Built-in variable focal lens	
Zoom ratio	Optical 3.7X	
Horizontal viewing angle	99.5 degree to 27.4 degree	
Focal length	f=2.8 to 10.5 mm	
F Number	F1.2 (Wide end), F2.6 (Tele end)	
Minimum object distance	300 mm	
Iris	Auto	
Panning range	355 degree	
Tilting range	±77 degree	
Swivel rotation	350 degree	
Camera Features		
Day/Night	Yes (Electrical D/N)	
Noise reduction	Yes (2D NR)	
Back light compensation	Yes (iBLC)	
Automatic tone reproduction	Yes (ATR-Lite)	
General		
Weight	11.3 oz (320 g)	
Dimensions	ø4 7/8 x 3 1/2 inches (ø121.6 mm x 86.5 mm)	
Power requirement	AC24 V ±10%, DC12 V ±10%	
Power consumption	Max. 1.5 W	
Operating temperature	-10°C to +50°C	
Storage temperature	-40°C to +60°C	
Operating humidity	20 % to 80 %	
Storage humidity	20 % to 95 %	

DIMENSIONS

Unit: inches (mm)



© 2010 Sony Electronics Inc. All rights reserved.
 Reproduction in whole or in part without written permission is prohibited.
 Features and specifications are subject to change without notice.
 Weights and measurements are approximate.
 Sony, 'make.believe', Effio-E and EXview HAD CCDII and their respective logos are trademarks of Sony.
 All other trademarks are the property of their respective owners.