

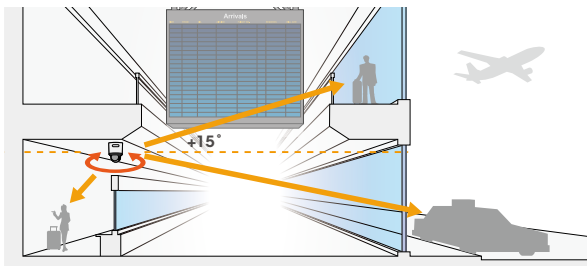
High-Quality Rapid Dome Cameras

- Three codecs (H.264, MPEG-4, JPEG) and dual-streaming capability
- High-speed 360 degrees endless rotation
- Powerful 36x optical zoom capability
- Slim and stylish
- Dynamic range of 92 dB (theoretical) achieved by DynaView™ technology



KEY FEATURES

- High-Speed 360 degrees endless rotation.
- Above-the-horizon tilt – 15° tilt-up, total tilt range of 210°.



- 36x optical and total zoom ratio of 432x with 12x digital zoom.
- Three codecs (H.264, MPEG-4, JPEG) and dual-streaming capability.
- DynaView — Wide-D technology to handle various lighting conditions in a scene.

DynaView



(Simulated images)

- True Day/Night function to switch to Day or Night mode depending on the light level.
- DEPA™ Intelligent Video Analytics system can be set up with a DEPA-enabled recorder.
- Powered by HPoE for simple installation.
- SD memory card slot for an on-board recording capability.*1*2
- Smartphone viewer for accessing the camera from a smartphone.*3
- ONVIF (Open Network Video Interface Forum) Version 1.02 conformance.



*1 The on-board recording function, the intelligent motion detection function, and the tamper alarm function cannot be used simultaneously.

*2 Data recorded on an SD memory card may be lost or damaged by data access during power-off, mechanical shock, memory card detachment, or other operations. Data loss or damage can also occur when a memory card reaches end of life, which varies according to operational conditions. No guarantee is given against damage (including passive damage).

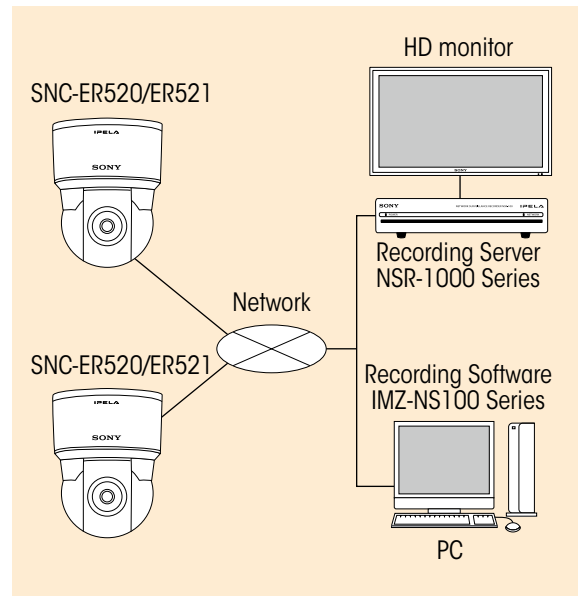
*3 For details, please contact your local Sony office.

SPECIFICATIONS

| | SNC-ER520 | SNC-ER521 |
|--|---|---|
| Camera | | |
| Image device | 1/4-type EXview HAD CCD | |
| Number of effective pixels | Approx. 0.38 Megapixel | |
| Minimum Illumination | Color: 1.4lx (F1.6, shutter 1/60sec, AGC ON, 50IRE[IP]) B/W: 0.15lx (F1.6, shutter 1/60sec, AGC ON, Night Mode, 50IRE[IP]) Color: 0.9lx (F1.6, shutter 1/60sec, AGC ON, 30IRE[IP]) B/W: 0.1lx (F1.6, shutter 1/60sec, AGC ON, Night Mode, 30IRE[IP]) | Color: 1.4lx (F1.6, shutter 1/50sec, AGC ON, 50IRE[IP]) B/W: 0.15lx (F1.6, shutter 1/50sec, AGC ON, Night Mode, 50IRE[IP]) Color: 0.9lx (F1.6, shutter 1/50sec, AGC ON, 30IRE[IP]) B/W: 0.1lx (F1.6, shutter 1/50sec, AGC ON, Night Mode, 30IRE[IP]) |
| Signal system | NTSC standard | PAL standard |
| Electronic shutter speed | 1/1 to 1/10,000 s | |
| Dynamic range | 92 dB (theoretical) by DynaView technology | |
| Auto gain control | Auto/Manual (-3 to 28 dB) | |
| Exposure control | Full auto, Shutter priority, Iris priority, Manual | |
| White balance mode | Auto, Advanced Auto, ATW, Indoor, Outdoor, One-push, Manual, Sodium vapour lamp | |
| Lens type | Auto-focus Zoom Lens | |
| Zoom ratio | Optical zoom 36x, Digital zoom 12x, Total zoom 432x | |
| Horizontal viewing angle | 57.8 to 1.7 degrees | |
| Focal length | f=3.4 to 122.4 mm | |
| F-number | F1.6 to F4.5 | |
| Minimum object distance | 10mm (wide) to 1500mm (tele) | |
| Pan angle | 360 degrees endless rotation | |
| Pan Speed | 300 degrees/s (max) | |
| Tilt angle | 210 degrees (with e-flip) | |
| Tilt speed | 300 degrees/s (max) | |
| Preset position | 256 positions | |
| Tour | 5 | |
| Camera Features | | |
| Day/Night | Yes (True D/N) | |
| Wide-D | Yes (DynaView) | |
| Noise Reduction | Yes | |
| Image | | |
| Codec image size (H x V) | 704x576, 720x480, 640x480, 384x288, 320x240 | 720x576, 704x576, 640x480, 384x288, 320x240 |
| Video compression format | H.264, MPEG-4, JPEG | |
| Codec streaming capability | Dual streaming | |
| Maximum frame rate | 30 fps (H.264/MPEG-4/JPEG) | 25 fps (H.264/MPEG-4/JPEG) |
| Audio | | |
| Audio compression | G.711/G.726 | |
| Scene Analytics | | |
| Intelligent motion detection | Yes | |
| Network | | |
| Protocols | IPv4, IPv6, TCP, UDP, ARP, ICMP, IGMP, HTTP, HTTPS, FTP (client/server), SMTP, DHCP, DNS, NTP, RTP/RTCP, RTSP, SNMP(MIB-2) | |
| ONVIF conformance | Yes (Ver. 1.02) | |
| Number of clients | 5 | |
| Authentication | IEEE802.1X | |
| Interface | | |
| Ethernet | 10BASE-T / 100BASE-TX (RJ-45) | |
| Card slots | SD memory card x 1 (Compatible with the SD/SDHC standards) | |
| Sensor input | x2 | |
| Alarm output | x1 | |
| External microphone input | Mini-jack (monaural) | |
| Audio line output | Mini-jack (monaural), Max output level: 1 Vrms | |
| General | | |
| Mass | 1.7 kg (3 lb 12 oz) (including ceiling bracket) | |
| Dimensions (ø x H mm) | ø147.4 x 190.9 mm (5 7/8 x 7 5/8 inches) | |
| Power requirements | HPoE (IEEE802.3at compliant), AC24V | |
| Power consumption | Approx. 25W | |
| Operating temperature | -5 to +50 °C (23 to 122 °F) | |
| Starting temperature | 0 to 50 °C (32 to 122 °F) | |
| Storage temperature | -20 to +60 °C (-4 to +140 °F) | |
| Safety regulation | UL2044, FCC 15B Class A, IC Class A, IEC60950-1, EN55022(A)+EN55024+EN50130-4, VCCI Class A, C-Tick Class A | |
| System Requirements | | |
| Operating system | Microsoft Windows XP(32bit) - Professional Edition Microsoft Windows Vista(32bit) - Ultimate, Business Edition Microsoft Windows 7 (32/64bit) - Ultimate, Professional Edition | |
| Processor | Intel Core2 Duo 1.8 GHz or higher Intel Pentium4 2.4GHz or higher | |
| Memory | 1 GB or more | |
| Web browser | Microsoft Internet Explorer Ver. 6.0, Ver. 7.0, Ver. 8.0, Ver. 9.0 Firefox Ver. 3.5 (Plug-in free viewer only) Safari Ver. 4.0 (Plug-in free viewer only) Google Chrome Ver. 4.0 (Plug-in free viewer only) | |
| Supplied Accessories | | |
| CD-ROM (User's guide, supplied programs), Installation manual, Ceiling bracket, Screws(2), Template, 24V AC Connector, I/O Connector | | |

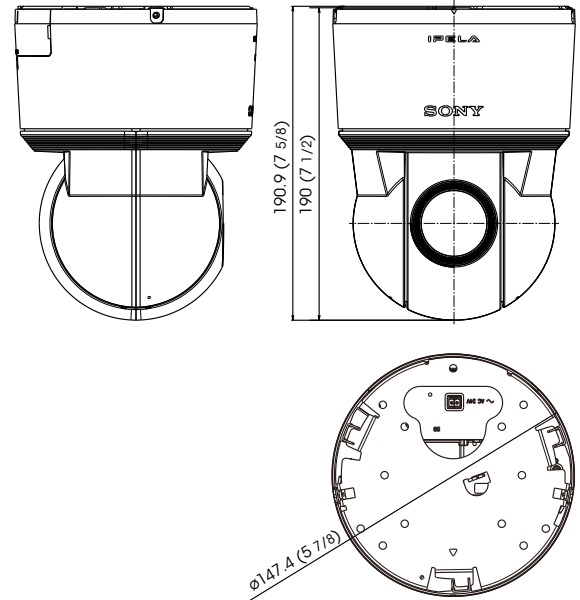
*The SNC-ER520 and SNC-ER521 include software developed by the OpenSSL Project for use in the OpenSSL Toolkit (<http://www.openssl.org/>).

SYSTEM CONFIGURATION



DIMENSIONS

Unit: mm (inches)



Distributed by

© 2012 Sony Corporation. All rights reserved.
 Reproduction in whole or in part without written permission is prohibited.
 Features and specifications are subject to change without notice.
 The values for mass and dimension are approximate.
 "Sony", "make.believe", "DynaView", "IPELA", "EXview HAD", and
 "DEPA" are trademarks of Sony Corporation.
 All other trademarks are the property of their respective owners.