

Features

- Quad stream support Dual H.264, MPEG-2, MPEG-4 and MJPEG
- Up to 144x zoom (12x optical zoom/12x digital zoom)
- Day/Night, Backlight Compensation, Wide Dynamic Range
- 300° / second Preset targeting
- 360° endless panning
- 256 presets/1 programmable cruise
- 8 alarm in/1 output
- Two-way audio
- 16 Privacy Masks
- IP66 ingress protection
- Analog output
- Optical output option



Description

The Siquira® MSD622 is a compact network PTZ dome camera in a weatherproof and vandal-resistant housing which provides high speed performance and superior encoding technology.

Multi-stream / Multi-codec

The versatile MSD622 is capable of quad-streaming, with dual H.264 streams simultaneous with two flexible encoding outputs which can provide MPEG-2, MPEG-4 or MJPEG streams. Each stream is optimized for its purpose. The H.264 implementation is based on dedicated hardware resulting in unparalleled video quality.

Open Streaming Architecture (OSA)

The MSD622 complies with worldwide approved standards for streaming video and is tested with different vendors, making third-party integration easy. Its OSA offers standardized streaming video and remote control. The MSD622 also supports Siquira®'s unique MX™ protocol.

Mini Dome

The MSD622 has a 12x optical zoom lens with 12x digital zoom. The lens can move in almost any direction offering a wide view without missing any details. Precise 300° per second pan and tilt drive technology offers almost instant preset positioning.

Day/Night, Backlight Compensation, and Wide Dynamic Range

The MSD622 provides automatic day/night functionality, for use in low light situations. Backlight compensation enhances image visibility in difficult lighting conditions. Wide dynamic range solves the problem of overlit images by taking the better of two pictures with different light references.

Audio, I/O Contacts and Analog Output

The MSD622 combines streaming video with duplex audio and I/O contacts over IP and balanced audio inputs/outputs suitable for all industrial audio systems. With its analog output, the hybrid MSD622 solution can provide local video for a public view monitor or local DVR.

Fiber Interface Accessory

A fiber option is available for direct connection of fiber to the dome via a flexible SFP interface. The XSNet™ range of SFP modules, with options for both single mode and multimode are available. The SFP interface is built into the dome itself so a wide range of mounting options are available.

Ordering Information

Model	Description
Siquira MSD622 /N	Mini network outdoor PTZ dome, day/night, vandal-resistant
Siquira MSD622 /P	Mini network outdoor PTZ dome, day/night, vandal-resistant

MSD622

IP mini PTZ dome with day/night (outdoor)

Technical specifications

Camera

Image sensor	1/4" Exview CCD	
Video output (maximum resolution)	2x H.264 and/or MJPEG/1x MPEG-4	
Frame rate	1-30fps	
Optical zoom	12x	
Digital zoom	12x	
Resolution	NTSC	PAL
Effective pixels	380k	440k
Horizontal resolution	540 TVL	540 TVL
Electronic shutter	1/1~1/10 sec.	1/1~1/10 sec.
D1	720x480	720x576
½D1	352x480	352x576
2CIF	720x240	720x288
CIF	352x240	352x288
QCIF	176x120	176x144
Synchronization	Internal	
Video output	1.0 Vpp/75Ω, BNC (gold-plated center pin)	
Minimum illumination	1 lux, 0.1 lux (B/W)	
Focal length	3.8~45.6 mm	
Focus mode	Auto/manual	
White balance	Auto/manual, indoor/outdoor	
Iris control	Auto/manual	
AGC control	Auto/manual	
Backlight compensation	On/Off	

Functions

Motion detection	Yes (user-defined masking)
Wide dynamic range	On/Off
Day/Night (IR-cut filter)	On/Off
Privacy masks	16

Video

Compression algorithm	H.264 BP (ISO/IEC 14496-10), MJPEG, MPEG-4 SP layer 5, (ISO/IEC 14496-2), MPEG-2 (ISO/IEC 13818-2),
Type of streaming	UDP/IP (multicast and/or unicast)
Number of output streams	Up to 20
Encoding latency	<130 ms
GOP structure	I, IP selectable
Output data rate	Up to 20 Mb/s (CBR or VBR selectable/user profiles)
Video settings	User profiles, contrast, brightness, color saturation, hue, sharpness.
On screen display	3x text lines, (configurable: position, color, border/outline color, font size), 1x image in BMP, GIF, or JPEG format (configurable: position, scaling.)
Live view encoder	HTTP, FTP pull

Audio

Two-way audio	Line out, Line in/microphone in (jack Ø3.5 mm)
Number of channels	1 (Mono, full-duplex)
Number of streams	3 (multicast and/or unicast)
Maximum bandwidth	20 Hz to 20 kHz
Sampling resolution	8/16-bits linear PCM or G.711
Input level	Adjustable, microphone or line
Output level	Adjustable, 3 Vrms maximum
Input impedance	>20 kΩ (600Ω balanced)
Output impedance	<100Ω (balanced)

Contact Closures

Number of channels	8x in, 1x out
Number of streams	2x 3 (multicast and/or unicast)
Reactions	Preset, Sequence, Auto pan, Cruise

Network

Interface options	RJ-45 (factory Installed) or SFP Cage (accessory included); SFP modules not included
Protocol	H.264 BP, MPEG-4 ES, MPEG-2, (M) JPEG, RTP, RTCP, RTSP, TCP, UDP, IP, DHCP, IGMPv2, (S)NTP, MX/IP, HTTP, SNMPv2, FTP, TelNet, DiffServ, SAP, UPnP, 802.1x
Management and control	SNMP v2, MX™, HTTP API v1.30, HTML (password protected)
Compression algorithm	H.264 BP (ISO/IEC 14496-10), MPEG-4, MJPEG

Pan/Tilt

Pan travel	360° continuous
Tilt travel	-10° ~ 190°
Preset speed	5 ~ 300°/s
Manual speed	0.5° ~ 55°/s
Presets	256 presets
Preset accuracy	0.225°
Cruise	1
Sequence	8
Auto pan	4
Proportional pan and tilt	On/Off
Resume after power loss	Yes
Zone title	16
Home function	Preset, Sequence, Auto pan, Cruise
Auto flip	Digital/Mechanical/Off

Mechanical

Dimension (h x w x d)	Ø190 x 260 mm. (with sunshield) (Ø7.5 x 10.2in)
Weight	1.2 kg (2.7 lbs.)
Color	RAL-9003 (Signal White)

Environmental

Operating Temperature	-30° C to +45° C (-22° F to +113° F)
Ingress Protection	IP66

Powering

Power consumption	58W (with heater)
Power	(24VAC +/- 10%)

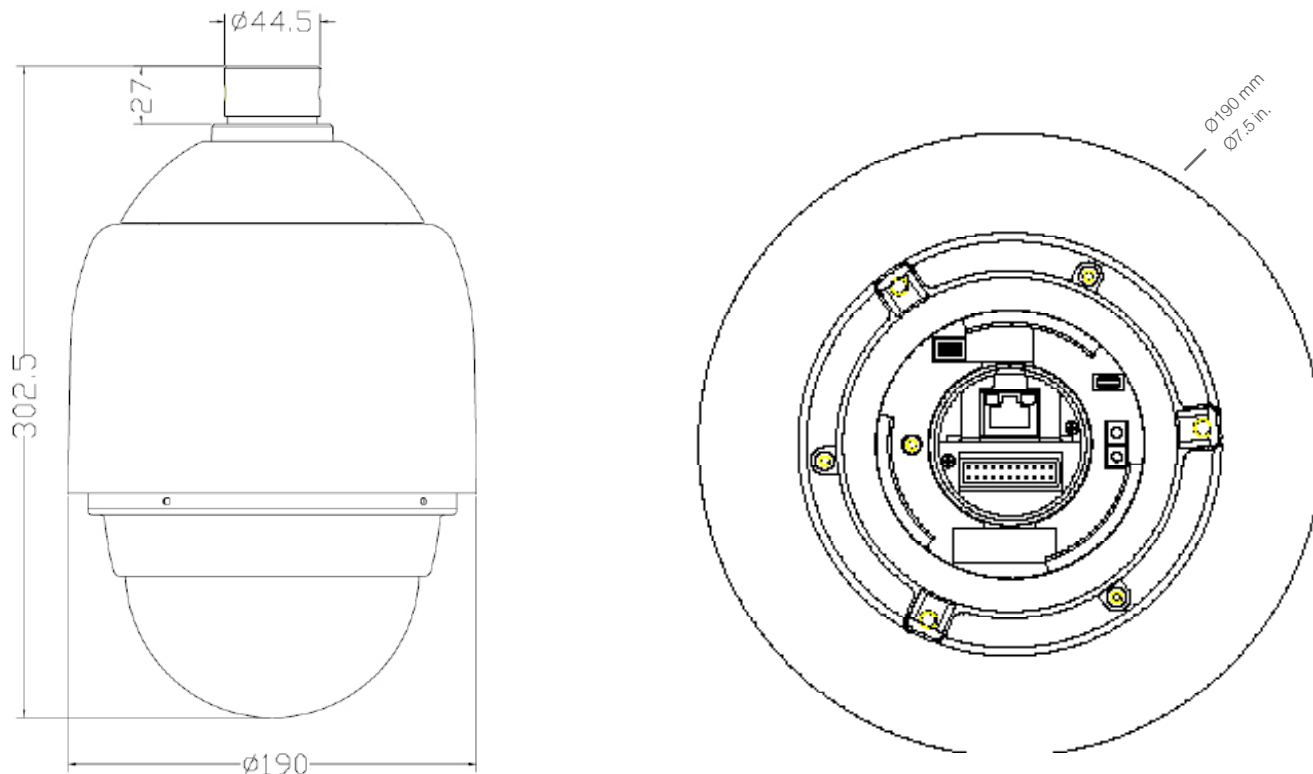


The quality management system utilized in the development, production, sales and support of this product is ISO 9001:2008 certified by LRQA.

©Optelecom-NKF Version: January 2011 V1 (First Edition) – Subject to modification

MSD622
 Technical Drawing

IP mini PTZ dome with day/night (outdoor)



Ordering Information Accessories

Model	Description
PA03 /EU	Power Supply, 230 VAC to 24VAC, Tinned Leads, 3.0A, Outdoor (IP66)
PA03 /US	Power Supply, 110 VAC to 24VAC, Tinned Leads, 3.0A, Outdoor (IP66)
PM01	Pole thin direct mounting, compatible with WM01A and WM03A
PM02	Pole wide direct mounting, compatible with WM01A and WM03A
PM03	Pole thin box mounting, compatible with WM01A and WM03A
PM04	Pole wide box mounting, compatible with WM01A and WM03A
PM05	Swanneck tube
WM01A	Mini wall mount
WM02 /MD (included)	Tube adapter for outdoor MD/HD series, compatible with CM01/02, WM01A/03A, PTM01
WM03A	Gooseneck tube
WM05	Corner plate, compatible with WM01A and WM03A
WM06	Wall box mounting, compatible with WM01A and WM03A
PTM01	1-1/2" pipe thread adapter

*WM02 is included with each outdoor MD and HD camera



The quality management system utilized in the development, production, sales and support of this product is ISO 9001:2008 certified by LRQA.

© Optelecom-NKF Version: January 2011 V1 (First Edition) – Subject to modification