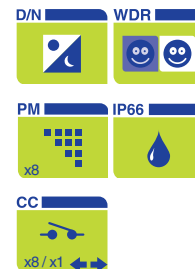


Features

- 35x Optical Zoom/12x digital zoom
- Day/Night with IR-cut filter
- Wide Dynamic Range
- Back Light Compensation
- Electronic Image Stabilization
- 400°/second Preset targeting
- 360° continuous rotation
- 256 presets/8 programmable cruises
- Contact closures (alarms) 8x in /1x out
- 24 VAC



Description

The Siquira® HD16A WDR ensures excellent high-resolution pictures (540 TVL) even under the most difficult circumstances by offering features such as day/night, digital slow shutter, wide dynamic range, and image stabilizer.

High-Speed Dome

This high speed PTZ dome has a 35x autofocus zoom lens with 12x digital zoom. Because the lens moves in almost any direction (pan and tilt), this camera offers a wide range of observation without missing the smallest details. In addition, the precision 400° per second pan and tilt drive technology offers almost instant preset positioning.

Day/Night and Digital Slow Shutter

Under poor light conditions, this high-speed dome automatically becomes infrared sensitive by removing the IR-cut filter. This day/night feature ensures that even in minimal light the camera still produces clear images. The digital slow shutter increases the camera's light sensitivity by delaying the shutter.

Backlight Compensation and Wide Dynamic Range

In situations where the observed object is unclear due to being under- or overlit, such as in a hallway entrance with many windows, backlight compensation improves image exposure by using the light near the object as a reference. Wide dynamic range solves the problem of overlit images by taking the best of two pictures with different light references.

Image Stabilizer

When the high-speed dome is in its maximum zoom range, every small movement of the camera gives a relatively large movement in the picture. The Image Stabilizer digitally compensates this movement for a stable picture. This feature is especially useful for pole-mounted domes.

Privacy Masks

Privacy masks cover sections of the image and shrink or grow according to the camera's zoom. This feature is often requested for such situations as city center surveillance and point of sale keypads.

Ordering Information

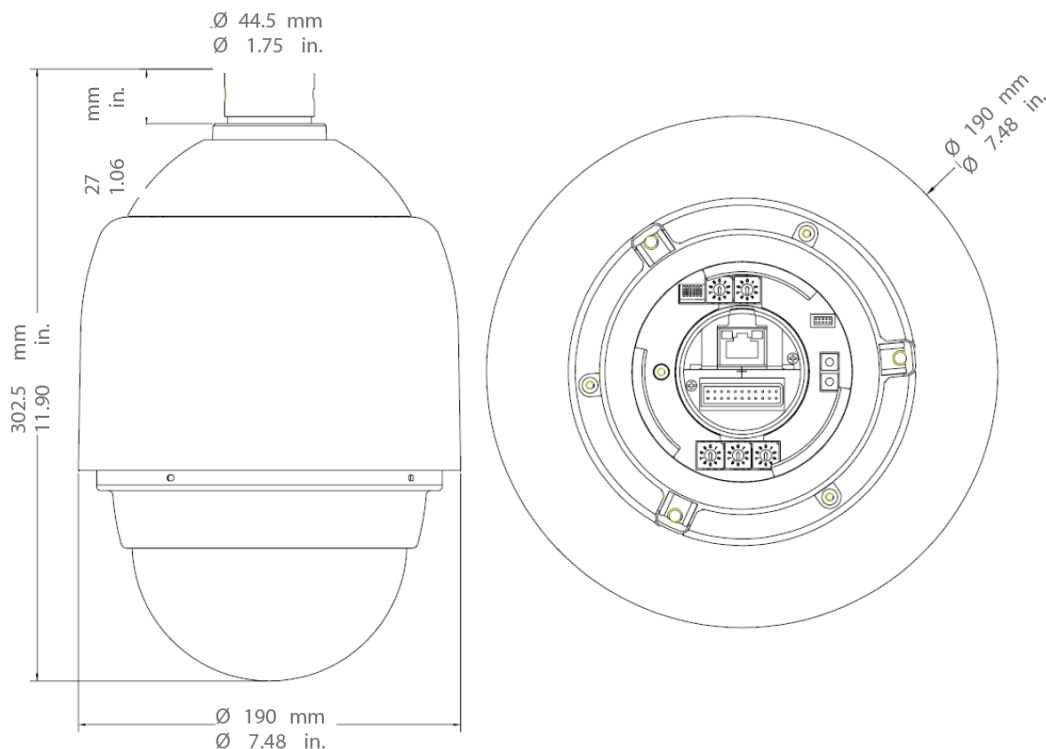
Model	Description
HD16A WDR /N	High-speed PTZ Dome Camera, Wide Dynamic Range, day/night, IP66, incl. sunshield
HD16A WDR /P	High-speed PTZ Dome Camera, Wide Dynamic Range, day/night, IP66, incl. sunshield
PA02 /EU	Power adapter 220~235 VAC to 24 VAC /3A for HD-series with use of heater (outdoor), with EU plug
PA02 /US	Power adapter 220~235 VAC to 24 VAC /3A for HD-series with use of heater (outdoor), with EU plug
PA03	Power adapter 100~115 VAC to 24 VAC /3A in water resistant housing
WM01	Mini wall mount for HD-series
WM02 /HD*	Tube adaptor for indoor HD-series, compatible with CM01/02 and WM03
WM03	Gooseneck tube
WM05	Corner plate, compatible with WM01 and WM03
WM06	Wall box mounting, compatible with WM01 and WM03
PM01	Pole thin direct mounting, compatible with WM01 and WM03
PM02	Pole wide direct mounting, compatible with WM01 and WM03
PM03	Pole thin box mounting, compatible with WM01 and WM03
PM04	Pole wide box mounting, compatible with WM01 and WM03
PM05	Swanneck tube

*WM02 is included with each outdoor MD and HD camera

HD16A WDR

Technical specifications

PTZ dome with D/N & wide dynamic range (outdoor)



Camera

Image sensor	1/4" CCD	
Optical zoom	35x	
Digital zoom	12x	
Resolution	NTSC	PAL
Effective pixels	380k	440k
Horizontal resolution	540 TVL	540 TVL
Electronic shutter	1~1/30k s.	1~1/30k s.
Synchronization	Internal/ line lock	
Video output	1.0 Vpp/75Ω, BNC (gold-plated center pin)	
S/N ratio	>50 dB (AGC off)	
Minimum illumination	0.1 lux, 0.01 lux (B/W)	
Focal length	3.4~119 mm	
Focus mode	Auto/ manual	
White balance	Auto/ manual	
Iris control	Auto/ manual	
AGC control	Auto/ manual	
Backlight compensation	On/ Off	

Functions

Motion detection	On/ Off
Day/ Night (IR-cut filter)	On/ Off
Digital slow shutter	On/ Off
Electronic image stabilizer	On/ Off
Wide Dynamic Range	On/ Off
Privacy masks	8

Contact closures

Alarm input	8
Alarm output	1
Alarm reaction	Preset, Sequence, Auto pan, CruisePan

Network

Interface	RS485
Protocol	Pelco-D (BI-Directional), Pelco-P, Kalatel, Philips, AD422

Pan/Tilt

Pan travel	360° continuous
Tilt travel	-10°~190°
Preset speed	400°/s
Manual speed	0.5°~90°/s
Presets	256 presets
Preset accuracy	0.225°
Cruise	8
Sequence	8
Auto pan	4
Proportional pan & tilt	On/ Off
Resume after power loss	Yes
Zone title	16
Home function	Preset, Sequence, Auto pan, Cruise
Auto flip	Digital/ Mechanical/ Off

Mechanical

Dimension (h x w x d)	Ø190 x 302.5 mm (7.5 x 11.9 in.)
Weight	6 kg (13.2 lbs.)
Color	RAL-9003 (Signal White)

Environmental

Operating Temperature	-45°C to +50°C (-49°F to +122°F)
-----------------------	----------------------------------

Powering

Power consumption	65W (with heater)
Power	19.2 - 28.4 VAC (24VAC nominal +/- 20%)



The quality management system utilized in the development, production, sales and support of this product is ISO 9001:2008 certified by LRQA.

© Optelecom-NKF Version: January 2010 V1 (First Edition) – Subject to modification