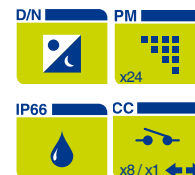


HD12A

PTZ dome with day/night (outdoor)

Features

- 26x Optical Zoom/12x digital zoom
- Day/Night with IR cut-filter
- Back Light Compensation
- 400°/second Preset targeting
- 360° continuous rotation
- 256 presets/8 programmable cruises
- Contact closures (alarms) 8x in / 1x out
- 24 privacy masks
- IP66 Ingress protection
- 24 VAC/12VDC



Description

The Siquira® HD12A ensures excellent pictures even under the most difficult circumstances by offering features like day/night and digital slow shutter.

High-Speed Dome

This high-speed PTZ dome has 26x autofocus zoom lens with the 12x digital zoom. Because the lens can move in almost any direction (pan and tilt), this camera offers a wide range of observation without missing the smallest details. In addition, the precision 400° per second pan and tilt drive technology offers almost instant preset positioning.

Day/Night and Backlight Compensation

The HD12A is provided with an automatic Day/Night functionality, which is used in low light situations and a Backlight Compensation functionality for use in different scenes. This means, the HD12A provides a clear picture for the operator, no matter what the lightning situation is.

Privacy Masks

Privacy masks cover sections of the image and shrink or grow according to the camera's zoom. This feature is often requested for such situations as city center surveillance and point of sale keypads.

Ordering Information

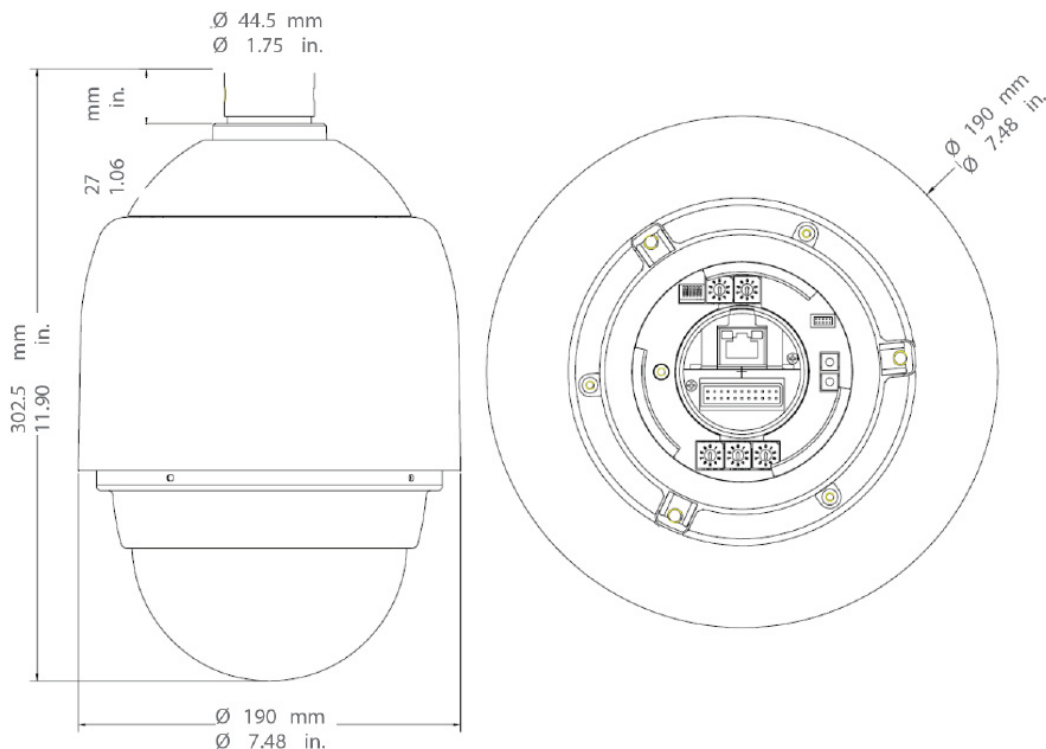
Model	Description
HD12A /N	High-speed PTZ Dome Camera, day/night, IP66, incl. sunshield
HD12A /P	High-speed PTZ Dome Camera, day/night, IP66, incl. sunshield
PA02 /EU	Power adapter 220~235 VAC to 24 VAC /3A for HD-series with use of heater (outdoor), with EU plug
PA02 /US	Power adapter 220~235 VAC to 24 VAC /3A for HD-series with use of heater (outdoor), with EU plug
PA03	Power adapter 100~115 VAC to 24 VAC /3A in water resistant housing
WM01	Mini wall mount for HD-series
WM02 /HD*	Tube adaptor for indoor HD-series, compatible with CM01/02 and WM03
WM03	Gooseneck tube
WM05	Corner plate, compatible with WM01 and WM03
WM06	Wall box mounting, compatible with WM01 and WM03
PM01	Pole thin direct mounting, compatible with WM01 and WM03
PM02	Pole wide direct mounting, compatible with WM01 and WM03
PM03	Pole thin box mounting, compatible with WM01 and WM03
PM04	Pole wide box mounting, compatible with WM01 and WM03
PM05	Swanneck tube

*WM02 is included with each outdoor MD and HD camera

HD12A

Technical specifications

PTZ dome with day/night (outdoor)



Camera

Image sensor	1/4" ExView CCD	
Optical zoom	26x	
Digital zoom	12x	
Resolution	NTSC	PAL
Effective pixels	380k	440k
Horizontal resolution	530 TVL	530 TVL
Electronic shutter	1~1/10k s.	1~1/10k s.
Synchronization	Internal/ line lock	
Video output	1.0 Vpp/75Ω, BNC (gold-plated center pin)	
Minimum illumination	0.09 lux color	
Focal length	3.5~91 mm	
Focus mode	Auto/ manual	
White balance	Auto/ manual	
Iris control	Auto/ manual	
AGC control	Auto/ manual	
Backlight compensation	On/ Off	

Functions

Motion detection	On/ Off
Day/ Night (IR-cut filter)	On/ Off
Digital slow shutter	On/ Off
Privacy masks	24

Contact Closures

Inputs	8
Outputs	1
Reactions	Preset, Sequence, Auto pan, Cruise

Network

Interface	RS485
Protocol	Pelco-D (BI-Directional), Pelco-P, Kalatel, Philips, AD422

Pan/Tilt

Pan travel	360° continuous
Tilt travel	-10°~190°
Preset speed	400°/s
Manual speed	0.5°~90°/s
Presets	256 presets
Preset accuracy	0.225°
Cruise	8
Sequence	8
Auto pan	4
Proportional pan & tilt	On/ Off
Resume after power loss	Yes
Zone title	16
Home function	Preset, Sequence, Auto pan, Cruise
Auto flip	Digital/ Mechanical/ Off

Mechanical

Dimension (h x w x d)	Ø190 x 302.5 mm (7.5 x 11.9 in.)
Weight	6 kg (13.2 lbs.)
Color	RAL-9003 (Signal White)

Environmental

Operating Temperature	-45°C to +50°C (-49°F to +122°F)
-----------------------	----------------------------------

Powering

Power consumption	65W (with heater)
Power	19.2 - 28.4 VAC (24VAC nominal +/- 20%)



The quality management system utilized in the development, production, sales and support of this product is ISO 9001:2008 certified by LRQA.

© Optelecom-NKF Version: March 2010 V1 (First Edition) – Subject to modification