

Wide-Area Day/Night Visible Detection Camera

The SightLogix® WideView SightSensor® is an intelligent visible spectrum detection camera for wide-area, outdoor buffer zone surveillance. The WideView SightSensor is designed for high Probability of Detect (PD) and low Nuisance Alarm Rates (NAR) in all weather and geographic conditions. The WideView SightSensor consists of a visible imager, complete with 105° field of view lens, electronic stabilization, on-board image processing, video analytics software, camera control, and geospatial target tracking within a ruggedized, NEMA 4X nitrogen-purged housing.



Feature	Benefit
Multiple digital signal processors (DSP) integrated with the camera imager	Analyzes all detail of every video frame for increased accuracy and extended range
3D Electronic Image Stabilization (translation, rotation and zoom)	Eliminates video shake induced by wind and machinery (trains, airplanes, construction equipment) to eliminate nuisance alarms
Detects objects moving directly below the camera without experiencing a blind spot	Buffer zone security alongside buildings, bridges, tunnels, entranceways or other areas requiring close-in, wide-area surveillance
Dynamic lighting correction	Reveals objects in varying and low-light conditions
Operates in the visible spectrum to detect objects that violate a site's alarm policies. Specifies the GPS position for up to 64 simultaneous targets	Provides accurate geo-location of intrusions
Detects inbound vehicle-sized objects up to 100 meters (328 feet) and human-sized targets at a minimum distance of 42 meters (137 feet) within a 105° field of view; up to 64 simultaneous targets	Accurate intrusion detection over wide outdoor areas
GPS-based analytics determine object location, size, and velocity with real-time display onto geo-positioned topology map	Accurately filters objects based on size and velocity; provides situational awareness
Accurately detects small objects in a background of environmental movement (leaves, shadows from clouds, wind-blown objects)	Eliminates nuisance alarms
10/100 Ethernet with support for satellite, cellular, wireless (802.11 a/b/g), and full broadband communications; AES 256 bit encryption and SSL protocol	Flexible and secure communications
Seamless integration with third-party Video Management, Physical Security Information Management (PSIM) and Access Control Systems.	Open-system design supports leading industry systems. Refer to <i>SightLogix Third Party Compatibility List</i> for details.
Dry-nitrogen pressurized enclosure (NEMA-4X); rugged, multi-contact sealed Mil-C electrical connector	Built to withstand outdoor elements (rain, snow, humidity, sand, temperature extremes) for extended life

Ordering Information

Part Number	Interface	Power
SL-SS-DS105-000	Ethernet	24V AC/DC
SL-SS-DS105-300	Ethernet	Power Over Ethernet Plus (PoE+)
SL-SS-DS105-012	2.4 GHz Wireless	24V AC/DC
SL-SS-DS105-014	4.9 GHz Wireless	24V AC/DC
SL-SS-DS105-015	5.8 GHz Wireless	24V AC/DC

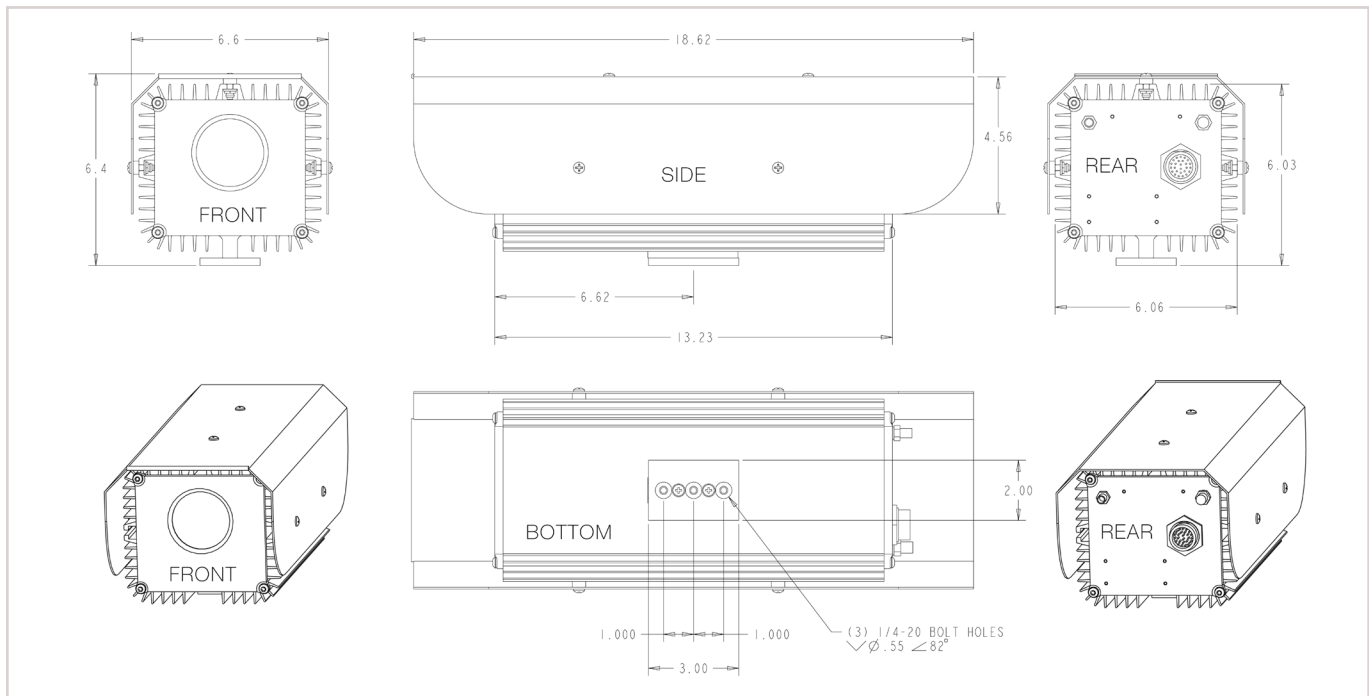
Accessories

- **SightMonitor** – GPS-based target display and coordination software. Refer to the *SightLogix SightMonitor® Datasheet*.
- **SightTracker** – GPS-based PTZ controller. Refer to the *SightLogix SightTracker™ Datasheet*.
- **Extended Cables**. Refer to the *SightLogix Accessories Datasheet*.

Specifications

Imager	
Visible	1/3-inch interline transfer CCD
Picture Elements	640 (H) x 480 (V)
Lens	Fixed - 105° field of view
Minimum illumination sensitivity	Color Mode: .5 lux B/W Mode: .05 lux
S/N ratio	> 50 dB
Electrical	
Voltage:	24 VAC/DC +/- 10% or PoE+
Connector	26 pin Mil-C (power & data)
Power:	18 watts nominal
Network	
Ethernet Wired	10/100 RJ45, IEEE 802.3, 802.3i, 802.3u
Ethernet Wireless	IEEE 802.11 a/b/g (optional)
Data Rate	64 kbps to 8 Mbps

Operating Mode	Full-duplex
Protocols	Supports all leading network protocols including streaming protocols
Video Output	
Compression Type:	MPEG-4 (Simple Profile, Advanced Simple Profile) MJPEG
Bit Rate Profile	Constant (CBR) or variable bit rate (VBR)
Resolution	640x240
Frame Rate	Up to 30 frames per second; user configurable
Target Tracking Output	
Communications	Metadata via industry standard XML over a HTTP/HTTPS interface for third-party integration
Tracked object parameters	Current time, alarm state, creation time, GPS position, size, heading, speed, aspect ratio, and alarm zone
SightTracker (optional)	Provides detected targets' GPS coordinates to automatically position PTZ cameras for continual tracking



Camera Enclosure		Environmental	
Weight:	6.8 kg (15 lbs.)	Operating Temperature	-30° to +60°C (-22° to +140°F)
Dimensions:	47.3 cm L x 16.2 cm W x 16.8 cm H (18.6" x 6.4" x 6.6")	Storage Temperature	-30° to +70°C (-22° to 158°F)
Enclosure:	NEMA 4X (IP66 compliant)	Relative Humidity:	0 to 100%
Nitrogen purge pressure	10 psi	Emissions:	FCC Part 15, Class A ITE Immunity Standard (EN 55024)
Mounting:	3 x 1/4-20 tpi bolts		

Specifications are subject to change without notice.

© SightLogix, Inc. SightLogix, SightMonitor, and SightSensor are registered trademarks of SightLogix, Inc.