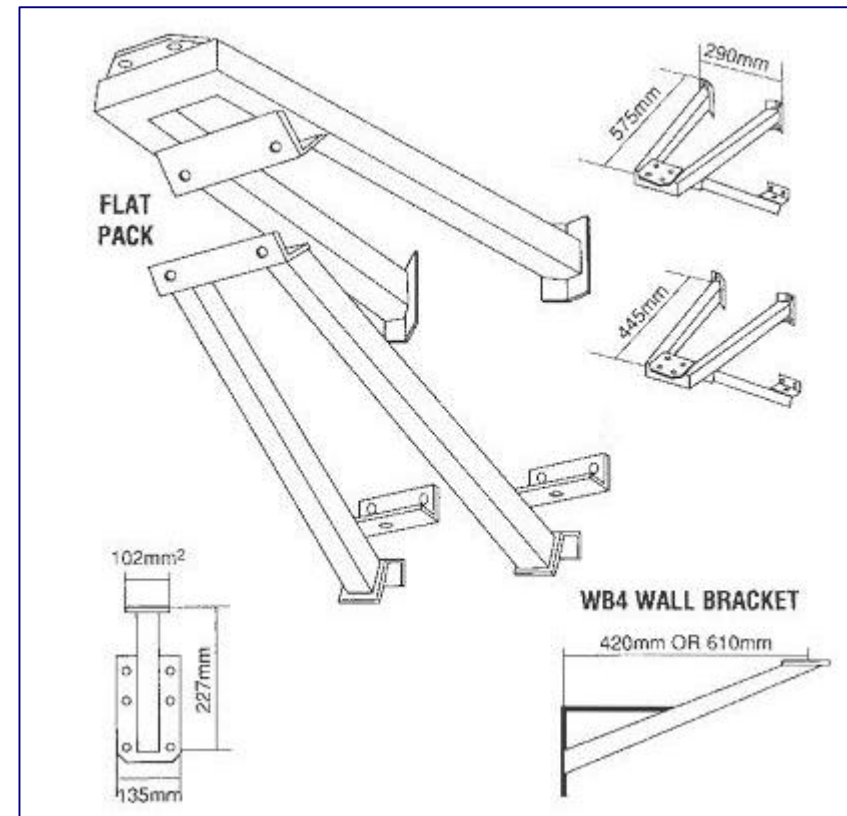
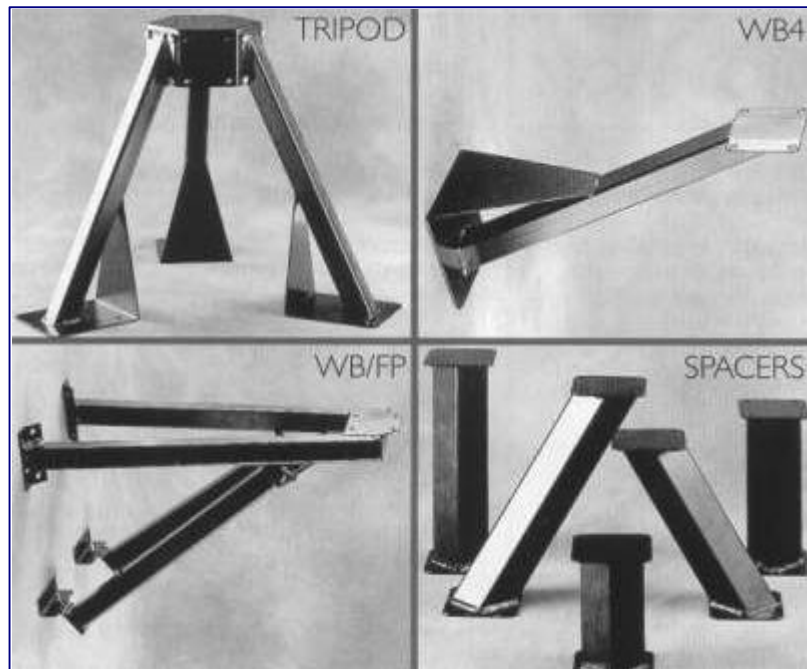


[[Up](#)] [[Pan & Tilt Brackets](#)] [[Housing Brackets](#)]

PAN & TILT BRACKETS



CCTV systems require quality engineering support - and that is exactly what the **Shawley** range offers. Heavy duty wall or corner mount brackets and tripods are manufactured from the mild steel box tubing and powder coated for long life protection. They provide the perfect support for pan and tilt heads, housings and infra-red illuminators.

RANGE	DIAGRAM
<p>CS/6 - 6" in length</p> <p>CS/9 - 9" in length</p> <p>CS/12 - 12" in length</p>	 A technical diagram of a vertical pan and tilt bracket. It consists of two parallel vertical lines connected by horizontal lines at the top and bottom. A dashed vertical line is positioned to the left of the main structure, likely representing a reference or mounting point.
<p>CS/9A - 9" in length</p> <p>CS/12A - 12" in length</p>	 A technical diagram of an angled pan and tilt bracket. It consists of two parallel diagonal lines sloping upwards from left to right, connected by horizontal lines at the top and bottom. A dashed vertical line is positioned to the left of the main structure, likely representing a reference or mounting point.

WB/FP

- Heavy duty wall or corner mount
- Very rigid to provide a stable platform for pan & tilt heads
- Manufactured from mild steel box tubing (all ends closed) and 16 gauge mild steel with black powder coat finish
- Easy assembly
- Supplied flat packed and boxed

WB4

- Medium duty wall mount bracket
- Manufactured from mild steel box tubing (all ends closed) and 16 gauge mild steel with black powder coat finish

TRIPOD

- For mounting onto flat horizontal surfaces (rooftops, platforms etc.)
- Manufactured from 16 gauge mild steel with black powder coat finish
- Hexagonal section with 4" PCD centre mount (for column spacer or pan & tilt) and three legs fixed directly to hexagon and floor
- Available with weights for free-standing operation (with laser heads and small housings only)
- Supplied in boxed kit form

[[Up](#)] [[Pan & Tilt Brackets](#)] [[Housing Brackets](#)]

email Shawley_Webmaster with questions or comments about this site.