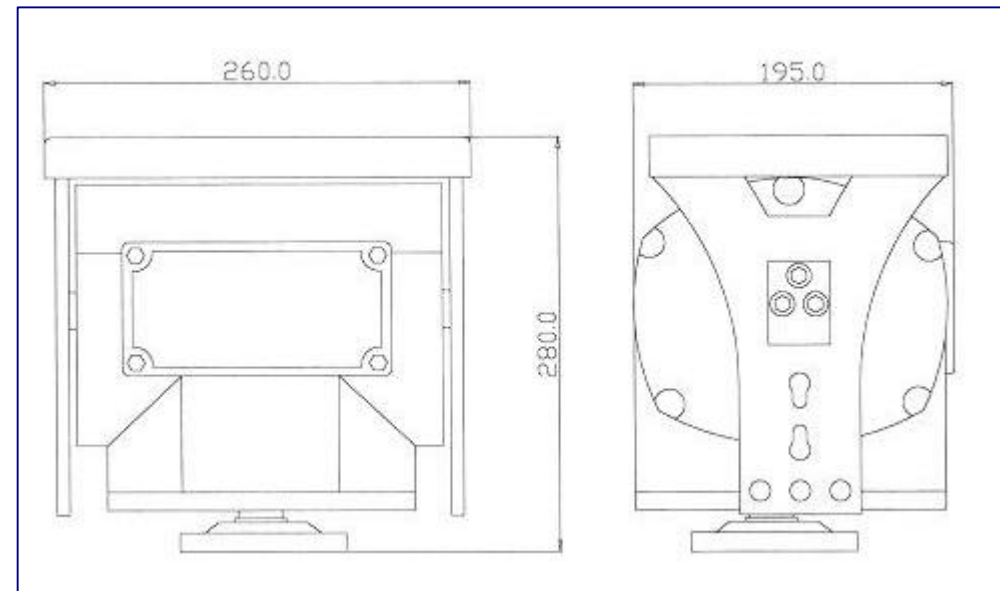


[[Up](#)] [[Prince PT 165](#)] [[PT 165 Integral Housing](#)] [[Earl PT 565](#)] [[Baron PT 365](#)] [[Duke PT 461](#)]

DUKE PT 461



The **Shawley** Duke PT 461 head is a heavy duty dedicated top mount unit, which is built to support greater pay loads and operate reliably in severe weather environments. IR lamps fit directly to side supports via 'keyhole slots' - a particular advantage when installing in awkward situations.

FEATURE	PT 461 DC	PT 461 AC
Construction	Aluminium die castings	Aluminium die castings
Weatherproof	To IP66 (equal to heavy seas)	To IP66 (equal to heavy seas)
Sealing	Double edge lipseals on shafts and gaskets between the lid and the body	Double edge lipseals on shafts and gaskets between the lid and the body
Gearing	All steel precision gear train with stainless steel shafts	All steel precision gear train with stainless steel shafts
Motors	Ironless rotor	Synchronous motor
Pan Speed	0-40° per second	7.5° per second
Tilt Speed	0-16° per second	2.5° per second
Pan Breaking Torque		127 kgs cm
Tilt Breaking Torque		340 kgs cm
Backlash	Better than 0.2°	Better than 0.2°
Overrun	Nil	Nil
Pan Angle	360°	360°
Tilt Angle	180° (std)	180° (std)
Platform Adjustment	High and low settings adjusted via a series of holes in side cheeks	High and low settings adjusted via a series of holes in side cheeks
Limit Adjustment	Internal fingers accessible via service hatch <i>with full load in place</i>	Internal fingers accessible via service hatch <i>with full load in place</i>
Mounting Details	4 holes 8.7mm diameter on 101.6mm (4") PCD NB unit can be inverted	4 holes 8.7mm diameter on 101.6mm (4") PCD NB unit can be inverted
Weight	11 kg	11 kg
Power Consumption	1.5 amp per motor	9vA per motor
Operating Temperatures	-20°C to +50°C	-20°C to +50°C
Connector	12 pin	7 pin
Carrying Capacity	30 kg (balanced load) - up to 50 kg with counter balance weights fitted	25 kg (balanced load) - up to 50 kg with counter balance weights fitted
Recommended Brackets	WB/FP for flat wall or corner mount	WB/FP for flat wall or corner mount

- Carrying capacity of 30 kg
- IP66 weatherproof standard approval
- Precision ballbearings ensure the unit remains square on both axes
- Stainless steel shafts and fittings eliminate corrosion
- Internal limit adjustment gives resilience to extreme weather conditions
- Limit adjustment can be made with a full load in place
- All metal gear transmission
- Low backlash for stability in high winds
- Heavy duty synchronous motors (AC version)
- Ironless rotor motors (DC version)
- DC version provides high and variable speed performance
- Full two year warranty (one year for units with autopan or continuous rotation)
- Operating voltages from 12vDC to 240vAC
- Choice of pan and tilt speeds
- Standard or heavy duty presets
- Autopan
- Colour options to specification
- Alternative connector available on request
- 50 kg maximum when fitted with a counterbalance

[[Up](#)] [[Prince PT 165](#)] [[PT 165 Integral Housing](#)] [[Earl PT 565](#)] [[Baron PT 365](#)] [[Duke PT 461](#)]

email [Shawley Webmaster](#) with questions or comments about this site.