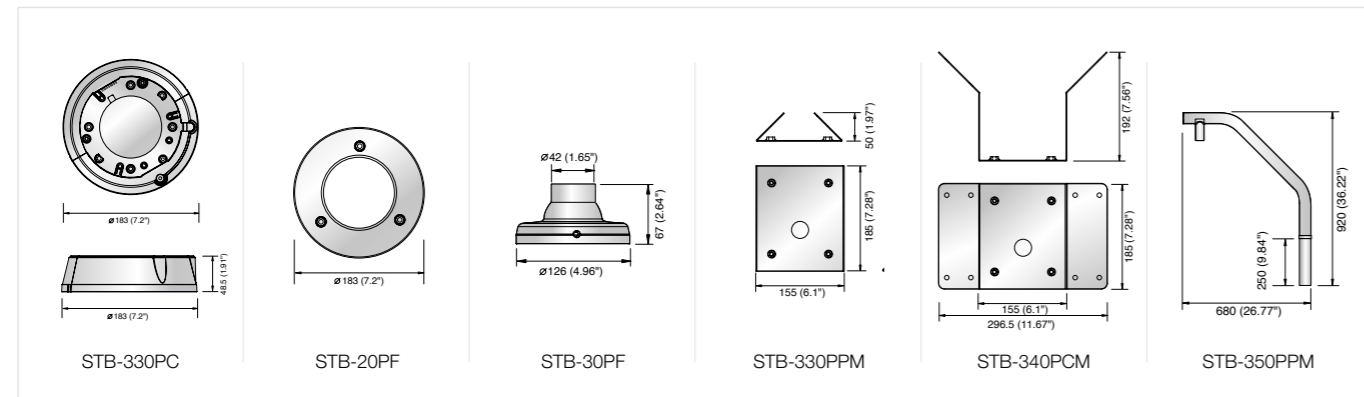


Housing & Mounts for PTZ Dome Camera
(SPD-3750/3300/3000/2300/SNP-3300)

Mode	STB-330PC (Ceiling Mounts)	STB-20PF (Flange)	STB-30PF (Ceiling Flange)	STB-330PPM (Pole Mount)	STB-340PCM (Corner Mount)	STB-350PPM (Parapet Mount)
Operating Temperature	-20°C ~ 50°C	-20°C ~ 50°C	-20°C ~ 50°C	-20°C ~ 50°C	-20°C ~ 50°C	-20°C ~ 50°C
Operating Humidity	0 to 90% RH	0 to 90% RH	0 to 90% RH	0 to 90% RH	0 to 90% RH	0 to 90% RH
Materials	Housing	ALDC 12	EGI 2T	ALDC 12	SPCC	SPCC
	Ring	-	-	EGI 1.2T	-	-
	Dome	-	-	-	-	-
Antivibration / Waterproof	-	-	-	-	-	-
Dimensions	Ø183(W) x 48.5(H)mm Ø7.2"(W) x 1.91"(H)	Ø183(W) x 3mm Ø7.2"(W) x 0.12"	Ø126(W) x 67(H)mm Ø4.96"(W) x 2.64"(H)	155(W) x 185(H) x 50(D)mm 6.1"(W) x 7.28"(H) x 1.97"(D)	297(W) x 185(H) x 192(D)mm 11.69"(W) x 7.28"(H) x 7.56"(D)	680(W) x 920(H)mm 26.77"(W) x 36.22"(H)
Weight	1.3Kg (2.87 lb)	300g (0.66 lb)	380g (0.84 lb)	600g (1.32 lb)	1.3Kg (2.87 lb)	8Kg (17.64 lb)

Dimensions

Unit : mm (inch)



Mounts & Housings for PTZ Dome Camera
(SPD-1000/SNP-1000)

Mode	STB-230PW (Wall Mount)	STB-280PW (Wall Mount)	STH-1000PI (Indoor Housing)	STH-1000PO (Outdoor Housing)
Operating Temperature	-10°C ~ 50°C	-10°C ~ 50°C	-10°C ~ 50°C	-10°C ~ 50°C
Operating Humidity	0 to 90% RH (non-condensing)	0 to 90% RH (non-condensing)	0 to 90% RH (non-condensing)	0 to 90% RH (non-condensing)
Materials	Housing	ALDC 12	ALDC 12	PC
	Ring	-	-	-
	Dome	-	-	-
Antivibration / Waterproof	IP 67	IP 67	-	IP 67
Dimensions	175.4(W) x 214(H) x 247.2(D)mm 6.91"(W) x 8.43"(H) x 9.73"(D)	175.4(W) x 238(H) x 278.2(D)mm 6.91"(W) x 9.37"(H) x 10.95"(D)	Ø169(W) x 150.4(H)mm Ø6.65"(W) x 5.92"(H)	Ø242(W) x 284.5(H)mm Ø9.53"(W) x 11.2"(H)
Weight	656g (1.45 lb)	980g (2.16 lb)	3.02Kg (6.66 lb)	3.02Kg (6.66 lb)

Dimensions

Unit : mm (inch)

