

10x Zoom Mini SmartDome Network Camera NEW

SNC-C6225/C7225



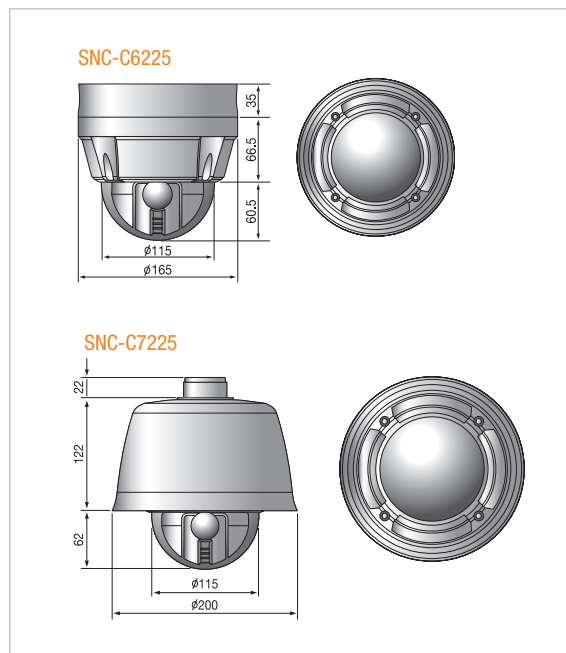
Features

- Real-time 30(25) ips at High Resolution(D1)
- 100x Zoom Control (Optical 10x, Digital 10x)
- MPEG-4 & MJPEG Dual Encoding
- Rotating Speed : MAX. 360°/sec
- Digital Image Stabilization
- Day/Night Function (ICR)
- Smooth Manual speed : MIN. 0.05 °/sec
- Bi-directional Audio Support
- Endless 360° Pan Rotation
- Micro SD Memory Card Slot for Alarm Recording
- Shortest Path by Vector Drive Technology
- HTTPS security login support
- Standard RTP/RTSP support (QuickTime, VLC Player)
- Scheduled Preset Function
- Vandal Proof/ Weather Proof • IPv4/IPv6 support
- Fan/Heater for Outdoor Installation : SNC-C7225

Specifications (Camera)

Model	SNC-C6225	SNC-C7225
Camera Type	Color	
Image	Sensor Device	
	1/4" Inter Line Transfer CCD	
Resolution	Horizontal	
	Color : 520TVL BW : 570TVL	
S/N Ratio	50dB (AGC off)	
Lens	Focal Length	
	3.8 ~ 38mm	
	Zoom Ratio	
	10x Optical, 10x Digital	
	Aperature Ratio	
	F1.8(W)	
	Viewing Angle	
	Tele	5.58"(H) x 4.27"(V)
	Wide	51.2"(H) x 39.3"(V)
	Lens Drive Type	
	DC Auto Iris	
	Mount Type	
	Board-in type	
Min. Scene Illumination	Color	
	0.7 Lux (50 IRE)	
	B/W	
	0.02 Lux (50 IRE)	
PAN/TILT	Speed	
	Manual Pan	0.05 ~ 360°/sec
	Preset Pan	360°/sec
	Manual Tilt	0.05 ~ 360°/sec
	Preset Tilt	360°/sec
	Range	
	Panning	0 ~ 360°(endless)
	Tilting	180°
	Number of Auto PAN	
	8 ea	
	Number of Preset	
	127 ea	
	Number of Pattern	
	4 ea	
Functions	Number of Privacy Zone	
	4 ea	
	Day/Night	
	Auto/Day/Night (ICR)	
	Digital Zoom	
	Yes(~ 10x)	
	High Speed Shutter	
	1/60 ~ 1/12,000 sec	
	Sens Up	
	Off/Auto	
	BLC	
	Low/Middle/High/Off	
	AGC	
	Normal/High/Off	
	White Balance	
	Auto/Manual(Red,Blue Gain Adj.)	
Environmental Conditions	Fan / Heater	
	N/A	Yes
	Operating Temperature	
	-10°C ~ +50°C	-40°C ~ +50°C
	Operating Humidity	
	Less than 90%	
Power	Power Requirement	
	DC12V	
	Power Consumption	
	12W	Heater Off(12W)/On(24W)
Physical Specification	Dimensions	
	165(ø) x 162(H) mm	200(ø) x 472(H) x 379(D) mm
	Weight	
	1.8kg	2.4kg
	Color	
	Body	
	Pearl White	
	SunShield	
	N/A	Yes
	Option Bracket	
	SADT-937WM	SADT-732WM(Wall) SADT-732CM(Ceiling)
	Anti Vandal	
	Yes (Aluminum)	

Dimensions (unit:mm)



Specifications (Network)

Model	SNC-C6225 / C7225	
Network Board	OS	
	Embedded Linux	
	Hardware	Flash memory
		32M byte
		RAM
		256M byte
	Ethernet	RJ-45 (10/100BASE-T)
	Video Out / Audio	VBS 1.0Vp-p / Line In / Line Out
	SD Memory Slot	Yes (Micro SD/SDHC)
Alarm	Input / Output	
	2 ea / 1 ea	
Video	Compression	
	MPEG4 / MJPEG Dual Codec Simultaneous Full Frame Dual Streaming	
	Resolution	D1
		NTSC : 720 x 480 / PAL : 720 x 576
		VGA
	640 x 480	
	CIF	NTSC : 352 x 240 / PAL : 352 x 288
	Frame Rate	
	NTSC : 30, 15, 8, 3, 1 fps / PAL : 25, 13, 6, 3, 1 fps	
	Quality	
	1 ~ 10 level	
Audio	Compression	
	G.711	
	Bi-Directional Communication	
	Yes	
DIS	Digital Image Stabilization	
	Yes	
Motion Detection	Sensitivity and Area Setting	
	High, Medium, Low	
Protocol	IP	
	IPv4 / IPv6	
	Network Protocol	IPv4
		TCP/IP, UDP/IP, RTP(UDP), RTP(TCP), RTSP, NTP, HTTP, HTTPS, SSL, DHCP, PPPoE, FTP, SMTP, ICMP, IGMP, SNMPv1/v2c/v3(MIB-2), ARP, DNS, DDNS, VSIP
	IPv6	TCP/IP, HTTP, HTTPS, SSL, DHCP
	Streaming	
	Unicast, Multicast	
	Security	
	HTTPS(SSL) Login Authentication Digest Login Authentication	
	DDNS	
	Supporting Samsung DDNS and Public DDNS services	
Connection	Maximum User Access	
	Max 10 Users at Unicast Mode / Max 20 Users at Multicast Mode	
	User Access Level	Administrator
		Live Monitoring, Alarm I/O control, OSD menu control, PTZ control, SD memory search, SETUP
		Operator
	Live Monitoring, PTZ control, Alarm I/O control	
	User	Live Monitoring
Event Management	Alarm Input	
	JPEG Image transfer : FTP / JPEG Image Recording : SD memory	
	Motion Detection	
	Notification : notify to viewer or by E-mail (one image attachment), Alarm Out	
	Schedule	
	JPEG Image transfer : FTP, E-mail / JPEG Image Recording : SD memory	
Web Browser	Supported OS	
	Windows XP, VISTA	
Viewer(Default)	Supported Browser	
	Internet Explorer 6.0 or Higher	
	S/W upgrade	
	Using Web viewer UI	
SDK	HTTP API	CGI Command
	Provides functionality to control cameras and set/retrieve internal parameter values.	
	Get JPEG image or MJPEG stream Alarm In/Out control	
	RTP/RTSP API	
	RTP Header, RTSP Command Document	
	ActiveX	SDK
	ActiveX API for viewing data streams from IP camera.	