

H.264 4CIF Real-Time Network Camera

SNC-B2331 NEW



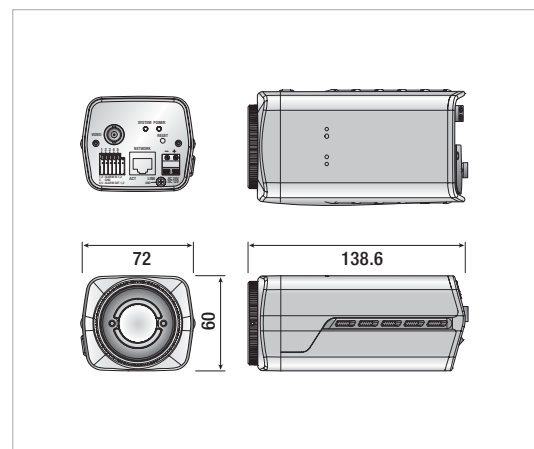
Features

- Real-time 30(25)fps at High Resolution(4CIF)
- H.264, MPEG-4 & MJPEG Multiple Encoding
- Progressive Scan
- Day/Night Function (Software)
- XDR (eXtended Dynamic Range)
- Motion Adaptive DNR (Dynamic Noise Reduction)
- Privacy Mask (12 ea)
- DIS (Digital Image Stabilizer)
- PoE (Power over Ethernet)
- HTTPS security support
- IPv4/IPv6 support
- Standard RTP/RTSP support

Specifications (Camera)

Model	SNC-B2331	
Camera Type	Color/BW	Color
Image	Device	Super-HAD PS CCD
	Size	1/3 inch
	Scan	Progressive Scan
	Pixels	Total NTSC : 811 x 508 / PAL : 795 x 596 Effective NTSC : 768 x 494 / PAL : 752 x 582
Scanning	Horizontal	Internal Mode NTSC : 15,734 Hz / PAL : 15,625 Hz
	Frequency	Line-lock Mode NTSC : 15,750 Hz / PAL : 15,625 Hz
	Vertical	Internal Mode NTSC : 59.94 Hz / PAL : 50 Hz
	Frequency	Line-lock Mode NTSC : 60 Hz / PAL : 50 Hz
Min. Scene Illumination @ F1.2	Color	Sens Off 0.12 Lux(15IRE), 0.2 Lux(30 IRE), 0.4Lux(50 IRE) Sens Up 512x 0.00023 Lux (15IRE), 0.0005 Lux(30IRE), 0.0008Lux(50IRE)
	B/W	Sens Off 0.12 Lux(15IRE), 0.2 Lux(30 IRE), 0.4Lux(50 IRE) Sens Up 512x 0.00023 Lux(15IRE), 0.0005 Lux(30IRE), 0.0008Lux(50IRE)
Functions (OSD Menu)	Number of Privacy Zone	12 (Polygonal Method)
	Day/Night	Color / BW / AUTO (Soft Method)
	eXtended Dynamic Range	Off/On (Level Setting)
	D-Zoom	1x ~ 16x (0.1x STEP)
	PIP	Off/On
	High Speed Shutter	NTSC : 1/60 ~ 1/10Ksec / PAL : 1/50 ~ 1/10Ksec
	Flickerless	Off/On
	Sens Up	2x ~ 512x
	BLC	Off/On (Area Setting)
	AGC	Off/On (Max.Level Setting)
	White Balance	ATW1 / ATW2 / AWC / 3200K / 5600K
	Digital Noise Reduction(DNR)	Off/On (Adaptive 3D+2D)
	Digital Image Stabilizer(DIS)	Off/On
	Camera ID	Off/On (Max.54ea / 2Line)
Etc. Function	Detail, Reverse(H/V), Posi / Nega	
Resolution	Horizontal	600 TV Lines
	Vertical	350 TV Lines
Video Output	VBS 1.0Vp-p	VBS 1.0Vp-p
S/N Ratio	S/N Ratio	52 dB
Lens	Lens Drive Type	MANUAL/AI(VIDEO/DC)
	Mount Type	CS/C
Environmental Conditions	Operating Temperature	-10°C ~ +50°C
	Operating Humidity	Less than 90%
Power	Power Requirement	AC24V, DC12V, PoE
	Power Consumption	7W
	LED Indicator	Yes
Physical Specification	Dimensions (WxHxD)	72 x 60 x 138.6 mm
	Weight	Net 300g
	Color	Body Silver

Dimensions (unit:mm)



Specifications (Network)

Model	SNC-B2331		
Network Board	OS	Embedded Linux	
	Hardware	Flash memory	32M byte
		RAM	256M byte
		Ethernet	RJ-45 (10/100BASE-T)
		Video Out	VBS 1.0Vp-p
	PoE	Yes (IEEE802.3af)	
Alarm	Input	2 ea	
	Output	2 ea	
Video	Compression	H.264 / MPEG4 / MJPEG Multiple Codec (H.264 / MPEG4 selectable) Simultaneous Dual Streaming	
	Resolution	4CIF	NTSC : 704x480 PAL : 704x576
		VGA	640x480
		CIF	NTSC : 352x240 PAL : 352x288
Frame Rate	NTSC : 30, 15, 8, 3, 1 fps / PAL : 25, 13, 6, 3, 1 fps		
Quality	1 ~ 10 level (CBR/VBR)		
Audio	Compression	N/A	
	Bi-Directional Communication	N/A	
OSD	Camera Control and Adjustment	OSD menu on Video (Menu enter/exit, move by Web UI)	
Motion Detection	Sensitivity and Area Setting	High, Medium, Low	
Protocol	IP	IPv4 / IPv6	
	Network Protocol	IPv4	TCP/IP, UDP/IP, RTP(UDP), RTP(TCP), RTSP, NTP, HTTP, HTTPS, SSL, DHCP, PPPoE, FTP, SMTP, ICMP, IGMP, SNMPv1/v2c/v3(MIB-2), ARP, DNS, DDNS
		IPv6	TCP/IP, HTTP, HTTPS, SSL, DHCP
	Streaming	Unicast, Multicast	
	Security	HTTPS(SSL) Login Authentication, Digest Login Authentication	
DDNS	Supporting Samsung DDNS and Public DDNS services		
Connection	Maximum User Access	Max 10 Users at Unicast Mode, Max 20 Users at Multicast Mode	
	User Access Level	Administrator	Live Monitoring, Alarm I/O control, OSD menu control, SETUP
		Operator	Live Monitoring, Alarm I/O control
User		Live Monitoring	
Event Management	Alarm Input	JPEG Image transfer : FTP	
	Motion Detection	Notification : notify to viewer or by E-mail (one image attachment), Alarm Out	
	Schedule	JPEG Image transfer : FTP	
Web Browser	Supported OS	Windows XP, VISTA	
Viewer(Default)	Supported Browser	Internet Explorer 6.0 or Higher	
	UI Language	E / F / G / S / I / C / K	
	S/W upgrade	Using Web viewer UI	
Video Player	RTP/RTSP streaming	Quicktime, VLC player	
Video Management Software		Samsung NET-i, 3rd Party S/W application	
Application	IP Installation	IP Installer Application for All Samsung IP Devices	
SDK	HTTP API	CGI Command	Provides functionality to control cameras and set/retrieve internal parameter values. Get JPEG image or MJPEG stream, Alarm In/Out control
		RTP/RTSP API	RTP Header, RTSP Command Document
	ActiveX	SDK	ActiveX API for viewing data streams from Network camera